



3D Printer Filament Extrusion Gear 40-Teeth

This 3D printer filament extruder drive gear, although being very small in size, is an important part of an extruder system. It is the part that fits onto the shaft of NEMA 17 Stepper Motors to grip the filament and push it towards the hot-end. With a built-in set screw that secures it tightly to the shaft, while the carefully machined thread on the outside ensures a strong grip without unnecessary damage to the filament.



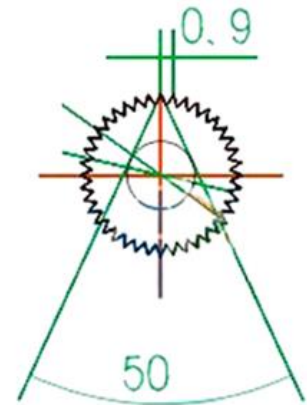
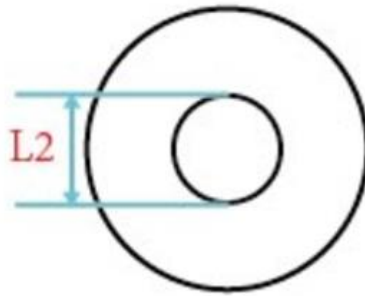
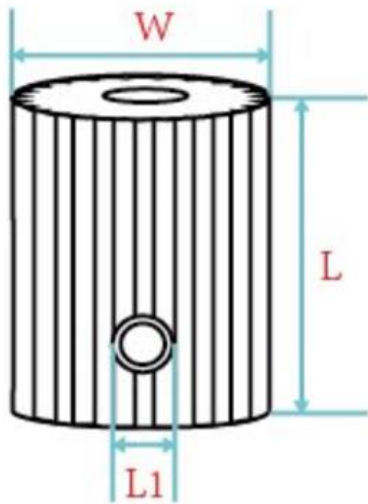
SKU: [MCH1604](#)

Brief Specification:

- Material: Stainless Steel.
- Outer diameter: Ø12mm.
- Inner diameter: Ø8mm.
- Height: 12mm.
- Number of Teeth: 40.

Mechanical Dimension:

Unit: mm



No.Teeth	W Ø	L	L1	L2 Ø	Gear Pitch	Pressure Angle	SKU
40	12	13	M3	8	0.9	50°	MCH1604



Handsontec.com

We have the parts for your ideas

HandsOn Technology provides a multimedia and interactive platform for everyone interested in electronics. From beginner to diehard, from student to lecturer. Information, education, inspiration and entertainment. Analog and digital, practical and theoretical; software and hardware.



open source
hardware

HandsOn Technology support Open Source Hardware (OSHW) Development Platform.

Learn : Design : Share

handsontec.com



The Face behind our product quality...

In a world of constant change and continuous technological development, a new or replacement product is never far away – and they all need to be tested.

Many vendors simply import and sell without checks and this cannot be the ultimate interests of anyone, particularly the customer. Every part sell on Handsotec is fully tested. So when buying from Handsotec products range, you can be confident you're getting outstanding quality and value.

We keep adding the new parts so that you can get rolling on your next project.



www.handsontec.com

[Breakout Boards & Modules](#)



[Connectors](#)



www.handsontec.com

[Electro-Mechanical Parts](#)



[Engineering Material](#)



www.handsontec.com

[Mechanical Hardware](#)



[Electronics Components](#)

P



www.handsontec.com

[Power Supply](#)



[Arduino Board & Shield](#)

[Tools & Accessory](#)



www.handsontec.com

[Tools & Accessory](#)