

## Data Specs

### 4mm Banana Plugs - Cable Assembly

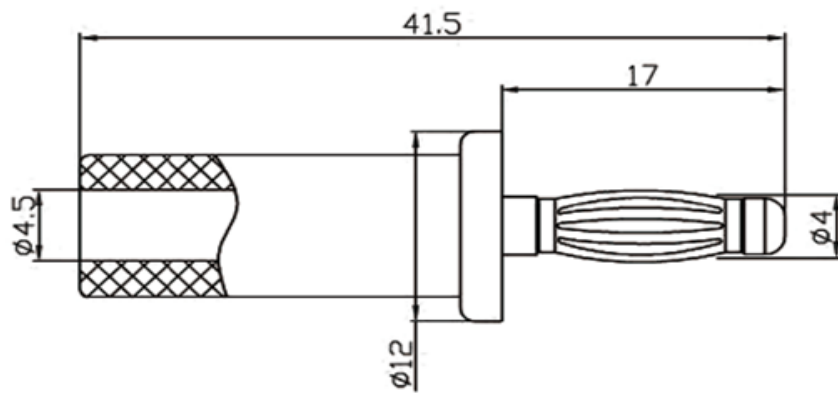
This standard 4mm banana plug with rigid screw on PVC body comes in range of red and black body colours for easy identifications. The plug pin comes with solder bucket for secure cable fixing with spring terminal.



## Brief Data:

- 4mm standard banana male plug.
- Manufacturing Part No: KB2008.
- Brass nickel plated contact.
- Wire diameter: 2.5mm max.
- Nominal working voltage: 50VAC.
- Rated current of 10A.
- Maximum contact resistance is 10mΩ.
- Connector Mounting: Cable Solder Mount.
- Conductor size: 1.5mm<sup>2</sup>.
- Insulation Material : PVC.
- Temperature: -20°C ~ 110°C.

**Mechanical Dimension (mm):**





**Web Resources:**

- [Handsontec Connectors](http://www.handsontec.com)