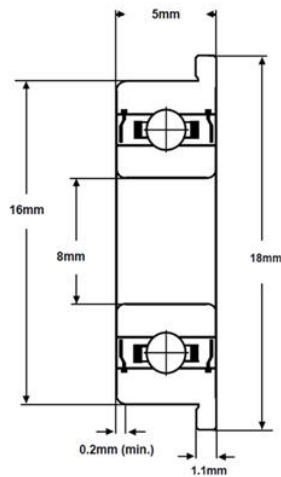




## Data Specs

### F688ZZ Flange Metal Shielded Radial Ball Bearing

Miniature bearings are sometimes referred to as instrument bearings or micro bearings. The purpose of a ball bearing is to reduce rotational friction and support radial and axial loads. It achieves this by using at least two races to contain the balls and transmit the loads through the balls. In most applications, one race is stationary and the other is attached to the rotating assembly (e.g., a hub or shaft). As one of the bearing races rotates it causes the balls to rotate as well. We provide metric sizes for applications as varied as gyros, anemometers, miniature gearboxes, small motors and radio controlled models. Our metric miniature ball bearings are supplied in chrome steel and can withstand heavy radial loads and moderate thrust loads in both directions.



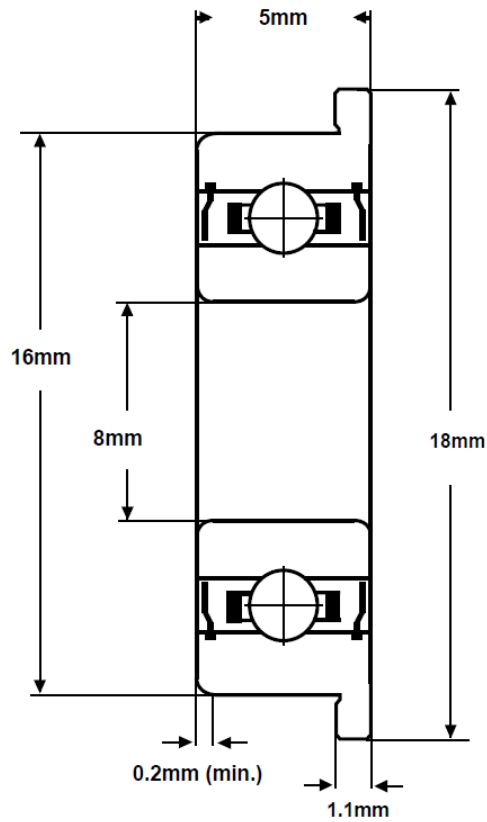
**SKU: [MCH1633](#)**

#### **Brief Data:**

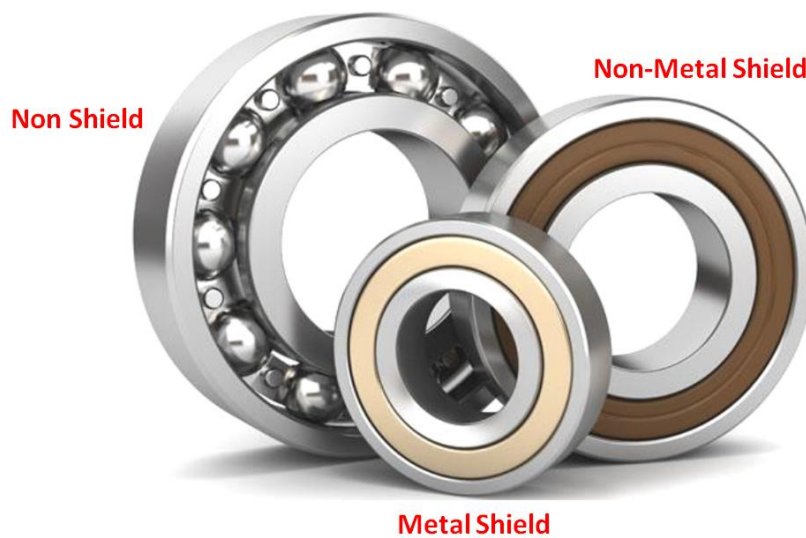
- Bore Diameter: Ø8mm.
- Outer Diameter: Ø17mm.
- Width: 5mm.
- Construction: Single row deep groove ball bearings.
- Material (rings & balls): Chrome Steel.
- Material (cage): Pressed Steel.
- Shielding: Double Metal Shield.

**Mechanical Dimension:**

**Unit: mm.**



**Shielding Type of Bearing:**





# Handsontec.com

**We have the parts for your ideas**

---

HandsOn Technology provides a multimedia and interactive platform for everyone interested in electronics. From beginner to diehard, from student to lecturer. Information, education, inspiration and entertainment. Analog and digital, practical and theoretical; software and hardware.



open source  
hardware

HandsOn Technology support Open Source Hardware (OSHW) Development Platform.

*Learn : Design : Share*

*handsontec.com*



## The Face behind our product quality...

In a world of constant change and continuous technological development, a new or replacement product is never far away – and they all need to be tested.

Many vendors simply import and sell without checks and this cannot be the ultimate interests of anyone, particularly the customer. Every part sell on Handsotec is fully tested. So when buying from Handsotec products range, you can be confident you're getting outstanding quality and value.

We keep adding the new parts so that you can get rolling on your next project.



[www.handsontec.com](http://www.handsontec.com)

[Breakout Boards & Modules](#)



[Connectors](#)



[www.handsontec.com](http://www.handsontec.com)

[Electro-Mechanical Parts](#)



[Engineering Material](#)



[www.handsontec.com](http://www.handsontec.com)

[Mechanical Hardware](#)



[Electronics Components](#)

P



[www.handsontec.com](http://www.handsontec.com)

[Power Supply](#)



[Arduino Board & Shield](#)

Tools & Accessory



[www.handsontec.com](http://www.handsontec.com)

[Tools & Accessory](#)