



Data Specs

135° Angle Bracket for 2020/3030/4040 Profile

You'll definitely want to pick up a couple of these corner brace supports when working on a project with 20x20, 30x30, 40x40 extrusion. 135° precision angle for your creativity project. They're nice and solid, made of cast aluminum so they are stronger than extruded corner supports.



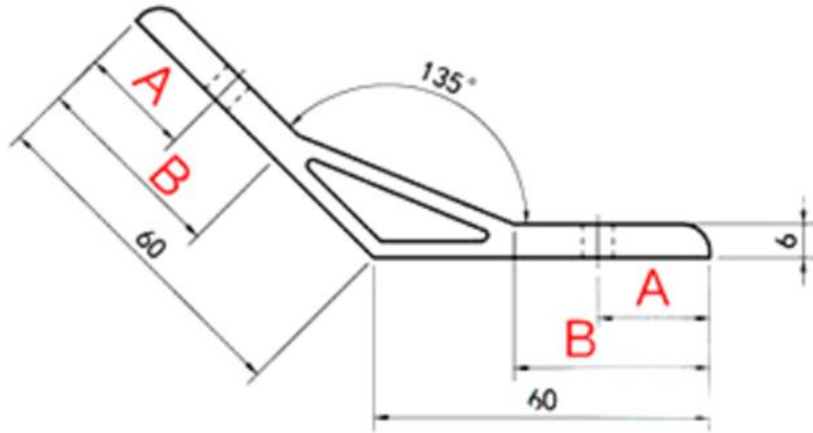
SKU: [FTA1053](#)

Brief Data:

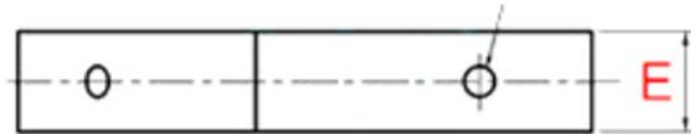
- Connector Type: 135° Angle Bracket.
- For 20/30/40 Series Aluminum Profile.
- Material: Aluminium alloy.
- Fits Strut Profile: 20x20, 2040.
- Mounting Hole: Ø5.30mm.
- Surface Finishing: Anodized Silver.
- Material: Die Cast Aluminium Alloy.
- Weight: 26g.

Mechanical Dimension:

Unit: mm



Bore diameter ØC



Model	A	B	E	C	Weight	SKU
2020-135°	14	35	15	Ø5.30	26	FTA1053



Handsontec.com

We have the parts for your ideas

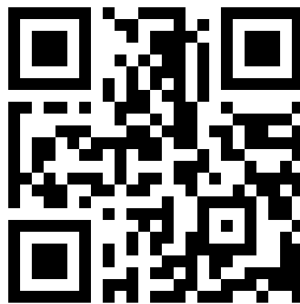
HandsOn Technology provides a multimedia and interactive platform for everyone interested in electronics. From beginner to diehard, from student to lecturer. Information, education, inspiration and entertainment. Analog and digital, practical and theoretical; software and hardware.



HandsOn Technology support Open Source Hardware (OSHW) Development Platform.

Learn : Design : Share

handsontec.com



The Face behind our product quality...

In a world of constant change and continuous technological development, a new or replacement product is never far away – and they all need to be tested.

Many vendors simply import and sell without checks and this cannot be the ultimate interests of anyone, particularly the customer. Every part sell on Handsotec is fully tested. So when buying from Handsotec products range, you can be confident you're getting outstanding quality and value.

We keep adding the new parts so that you can get rolling on your next project.



www.handsontec.com

[Breakout Boards & Modules](#)



[Connectors](#)



www.handsontec.com

[Electro-Mechanical Parts](#)



www.handsontec.com

[Engineering Material](#)



www.handsontec.com

[Mechanical Hardware](#)



[Electronics Components](#)

P



www.handsontec.com

[Power Supply](#)



[Arduino Board & Shield](#)

[Tools & Accessory](#)



www.handsontec.com

[Tools & Accessory](#)