



Data Specs

Right Angle Bracket for 2020 Profile - Anodized

You'll definitely want to pick up a couple of these corner brace supports when working on a project with profile extrusion. They're nice and solid, made of anodized. Two holes, one in each corner allow you to easily connect two pieces of aluminium profile at a 90° degree angle.



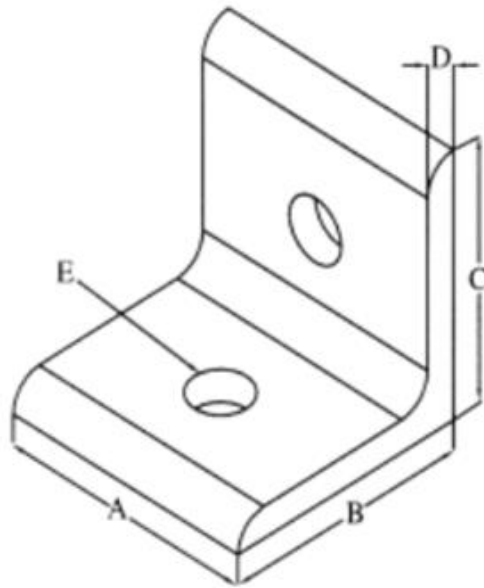
SKU: [FTS1019](#)

Brief Data:

- Material: Aluminum Alloy.
- Type: Right Angle Bracket for 20 Series Aluminum Profile.
- Dimension: (25x25x18)mm.
- Finishing: Silver Anodized.

Mechanical Dimension:

Unit: mm



Model	A	B	C	D	E	SKU
RA2020	18	25	25	2.8	Ø5.5	FTA1019



Handsontec.com

We have the parts for your ideas

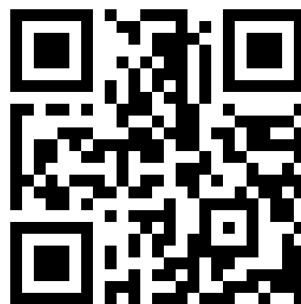
HandsOn Technology provides a multimedia and interactive platform for everyone interested in electronics. From beginner to diehard, from student to lecturer. Information, education, inspiration and entertainment. Analog and digital, practical and theoretical; software and hardware.



HandsOn Technology support Open Source Hardware (OSHW) Development Platform.

Learn : Design : Share

handsontec.com



The Face behind our product quality...

In a world of constant change and continuous technological development, a new or replacement product is never far away – and they all need to be tested.

Many vendors simply import and sell without checks and this cannot be the ultimate interests of anyone, particularly the customer. Every part sell on Handsotec is fully tested. So when buying from Handsotec products range, you can be confident you're getting outstanding quality and value.

We keep adding the new parts so that you can get rolling on your next project.



www.handsontec.com

[Breakout Boards & Modules](#)



[Connectors](#)



www.handsontec.com

[Electro-Mechanical Parts](#)



www.handsontec.com

[Engineering Material](#)



www.handsontec.com

[Mechanical Hardware](#)



[Electronics Components](#)

P



www.handsontec.com

[Power Supply](#)



[Arduino Board & Shield](#)

[Tools & Accessory](#)



www.handsontec.com

[Tools & Accessory](#)