



Data Specs

Leveling Foot Bracket for 3030 Profile

Bracket for fastening leveling feet in structure profiles. May also be used as an end connector. Easy reusable Installation. Durable and long lasting.



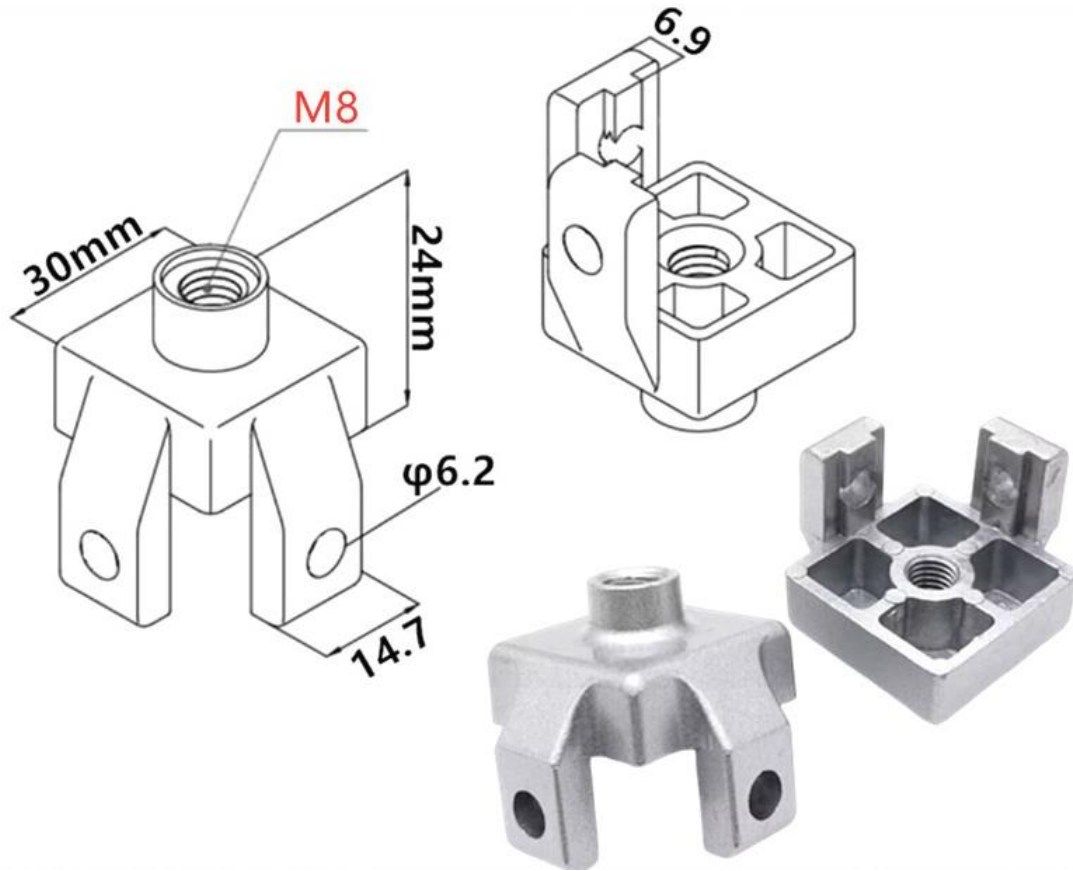
SKU: [FTA10515](#)

Brief Data:

- Connector Type: Profile Leveling Foot Bracket.
- Fits Groove Size: (6~8)mm.
- Fits Strut Profile: (40x40)mm.
- Thread Size: M8.
- Material: Die Cast Aluminium.
- Weight: 37g.

Mechanical Dimension:

Unit: mm





Handsontec.com

We have the parts for your ideas

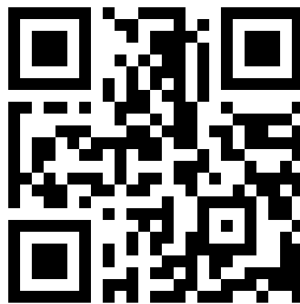
HandsOn Technology provides a multimedia and interactive platform for everyone interested in electronics. From beginner to diehard, from student to lecturer. Information, education, inspiration and entertainment. Analog and digital, practical and theoretical; software and hardware.



HandsOn Technology support Open Source Hardware (OSHW) Development Platform.

Learn : Design : Share

handsontec.com



The Face behind our product quality...

In a world of constant change and continuous technological development, a new or replacement product is never far away – and they all need to be tested.

Many vendors simply import and sell without checks and this cannot be the ultimate interests of anyone, particularly the customer. Every part sell on Handsotec is fully tested. So when buying from Handsotec products range, you can be confident you're getting outstanding quality and value.

We keep adding the new parts so that you can get rolling on your next project.



www.handsontec.com

[Breakout Boards & Modules](#)



[Connectors](#)



www.handsontec.com

[Electro-Mechanical Parts](#)



www.handsontec.com

[Engineering Material](#)



www.handsontec.com

[Mechanical Hardware](#)



[Electronics Components](#)

P



www.handsontec.com

[Power Supply](#)



[Arduino Board & Shield](#)

[Tools & Accessory](#)



www.handsontec.com

[Tools & Accessory](#)