



Leveling Feet Mounting Plate for 3060 Aluminum Profile

This is solid aluminum die-cast mounting bracket for profile levelling feed. Adjustable feet are used for levelling and supporting structures, machinery, furniture and display stands that require vertical adjustments to function correctly. Larger thread sizes and base diameters provide the best weight capabilities in comparison to smaller sizes. The larger the base the better the levelling of stabilization.



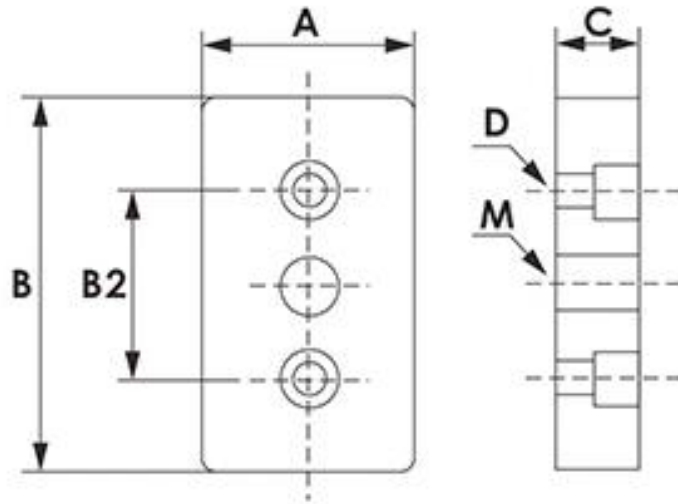
SKU: [FTA1020](#)

Brief Data:

- Type: End Bracket for Profile Levelling Feet.
- Profile Size: 30x60.
- Thread Size: M12.
- Size: 30x60x12mm.
- Standard: European standard.
- Material: Aluminium alloy.
- Weight: 42g.

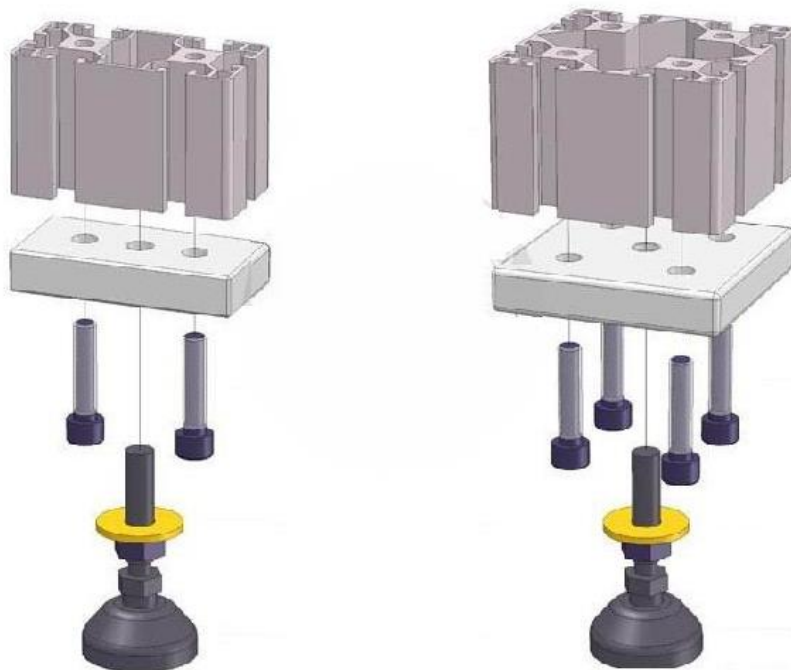
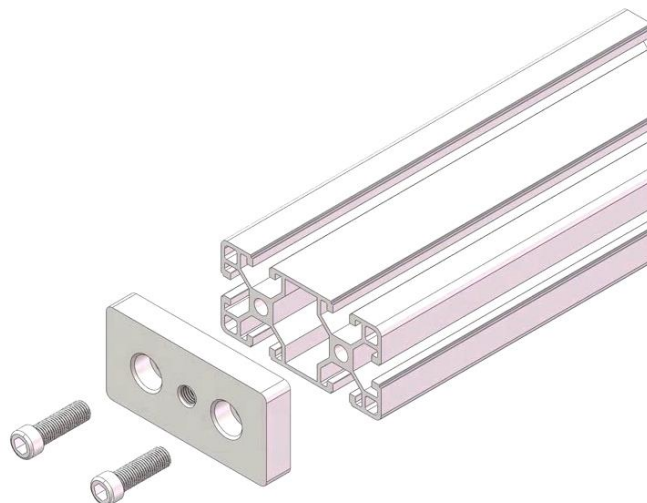
Mechanical Dimension:

Unit: mm



Model	A	B	C	D	M	B2	SKU
3060	30	60	12	Ø9	M12	30	FTA1020

Application:





Handsontec.com

We have the parts for your ideas

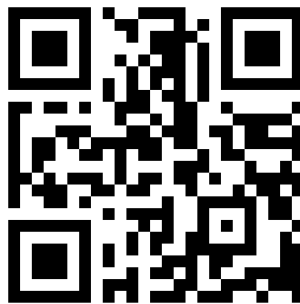
HandsOn Technology provides a multimedia and interactive platform for everyone interested in electronics. From beginner to diehard, from student to lecturer. Information, education, inspiration and entertainment. Analog and digital, practical and theoretical; software and hardware.



HandsOn Technology support Open Source Hardware (OSHW) Development Platform.

Learn : Design : Share

handsontec.com



The Face behind our product quality...

In a world of constant change and continuous technological development, a new or replacement product is never far away – and they all need to be tested.

Many vendors simply import and sell without checks and this cannot be the ultimate interests of anyone, particularly the customer. Every part sell on Handsotec is fully tested. So when buying from Handsotec products range, you can be confident you're getting outstanding quality and value.

We keep adding the new parts so that you can get rolling on your next project.



www.handsontec.com

[Breakout Boards & Modules](#)



[Connectors](#)



www.handsontec.com

[Electro-Mechanical Parts](#)



www.handsontec.com

[Engineering Material](#)



www.handsontec.com

[Mechanical Hardware](#)



[Electronics Components](#)

P



www.handsontec.com

[Power Supply](#)



[Arduino Board & Shield](#)

[Tools & Accessory](#)



www.handsontec.com

[Tools & Accessory](#)