



Data Specs

T Joining Plate for 4040 Aluminum Profile

These aluminum plates allow you to join standard 40mm v-slot/t-slot aluminum extrusion profile at a 90 degree angle. The holes are screw holes on each arm, allowing them to be used in the slots or in tapped holes on the edges of 40mm extrusion. At 3mm thick, these strong plates will probably work best with M8 screws and nuts (not included). Build CNC routers, 3D printers, CNC laser cutters, CNC plasma cutters, robotics projects, 3D carvers, machine guards, workstations, etc.



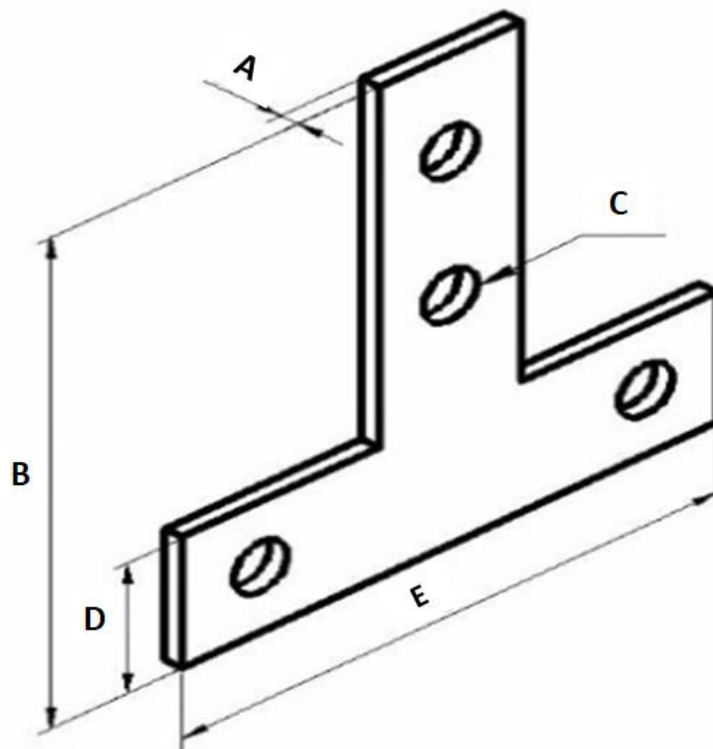
SKU: [FTA1054](#)

Brief Data:

- Profile Size: 40x40.
- Width: 85mm.
- Height: 110mm
- Thickness: 3mm.
- T Shape Right Angle.
- Center Hole Diameter: Ø9mm.
- Material: Chrome Stainless Steel
- 4 Screw Hole for M8 Screw.
- Weight: 130g

Mechanical Dimension:

Unit: mm



| Model | A | B | C | D | E | SKU |
|--------|---|-----|----|----|----|---------|
| 4040-T | 3 | 110 | Ø9 | 36 | 85 | FTA1054 |

Application Example:



Handsontec.com

We have the parts for your ideas

HandsOn Technology provides a multimedia and interactive platform for everyone interested in electronics. From beginner to diehard, from student to lecturer. Information, education, inspiration and entertainment. Analog and digital, practical and theoretical; software and hardware.



HandsOn Technology support Open Source Hardware (OSHW) Development Platform.

Learn : Design : Share

handsontec.com



The Face behind our product quality...

In a world of constant change and continuous technological development, a new or replacement product is never far away – and they all need to be tested.

Many vendors simply import and sell without checks and this cannot be the ultimate interests of anyone, particularly the customer. Every part sold on Handsontec is fully tested. So when buying from Handsontec products range, you can be confident you're getting outstanding quality and value.

We keep adding the new parts so that you can get rolling on your next project.



www.handsontec.com

[Breakout Boards & Modules](#)



[Connectors](#)



www.handsontec.com

[Electro-Mechanical Parts](#)



www.handsontec.com

[Engineering Material](#)



www.handsontec.com

[Mechanical Hardware](#)



[Electronics Components](#)

P



www.handsontec.com

[Power Supply](#)



[Arduino Board & Shield](#)

[Tools & Accessory](#)



www.handsontec.com

[Tools & Accessory](#)