



## Metal Crescent Lock with Security Key

This crescent lock is made of aluminum alloy, which allows it to last for a very long time. Our sliding crescent lock will give your windows and doors a line of beautiful finishing touches. Make it easy to close your sliding doors and sliding windows by using our sliding crescent lock with security key.



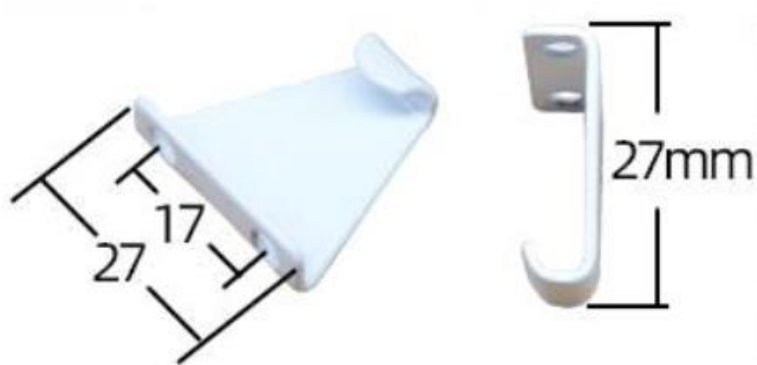
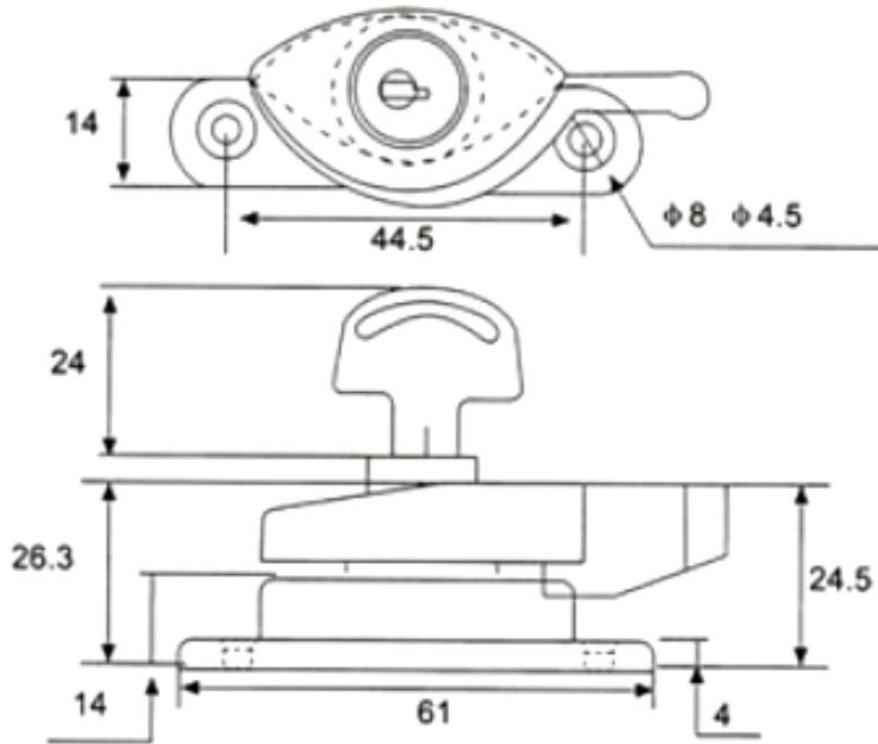
**SKU: [FTA1056](#)**

### **Brief Data:**

- **Item Name:** Crescent Lock with Security Key.
- **Material:** Die-Cast Zinc Metal Alloy.
- **Color:** Black.
- **Mounting Hole:** Ø4.5mm.
- **Mounting Hole Distance:** 44.5mm.
- **Turn Direction:** Right & Left Hand.
- **Easy to Install.**
- **It is great for sliding doors and windows.**
- **Regardless sliding the door and window to the left or right size.**
- **Usage:** Door, window, roller shutter, furniture fitting, cabinet, drawer etc.
- **Weight:** 90g.

**Mechanical Dimension:**

Unit: mm



**Application Example:**

**Left Hand Turn**



**Right Hand Turn**





# Handsontec.com

**We have the parts for your ideas**

---

HandsOn Technology provides a multimedia and interactive platform for everyone interested in electronics. From beginner to diehard, from student to lecturer. Information, education, inspiration and entertainment. Analog and digital, practical and theoretical; software and hardware.



open source  
hardware

HandsOn Technology support Open Source Hardware (OSHW) Development Platform.

*Learn : Design : Share*

*handsontec.com*



## The Face behind our product quality...

In a world of constant change and continuous technological development, a new or replacement product is never far away – and they all need to be tested.

Many vendors simply import and sell without checks and this cannot be the ultimate interests of anyone, particularly the customer. Every part sold on Handsontec is fully tested. So when buying from Handsontec products range, you can be confident you're getting outstanding quality and value.

We keep adding the new parts so that you can get rolling on your next project.



[www.handsontec.com](http://www.handsontec.com)

[Breakout Boards & Modules](#)



[Connectors](#)



[www.handsontec.com](http://www.handsontec.com)

[Electro-Mechanical Parts](#)



[www.handsontec.com](http://www.handsontec.com)

[Engineering Material](#)



[www.handsontec.com](http://www.handsontec.com)

[Mechanical Hardware](#)



[Electronics Components](#)

P



[www.handsontec.com](http://www.handsontec.com)

[Power Supply](#)



[Arduino Board & Shield](#)

[Tools & Accessory](#)



[www.handsontec.com](http://www.handsontec.com)

[Tools & Accessory](#)