



## Aluminum DIN Rail Top Hat - Slotted

A Din rail is a metal strip of standard dimensions originally defined in specifications published by DIN (Deutsches Institut für Normung) in Germany, and since adopted as European (EN) and international (ISO) standards. It is made from cold rolled aluminum alloy for rust proof.



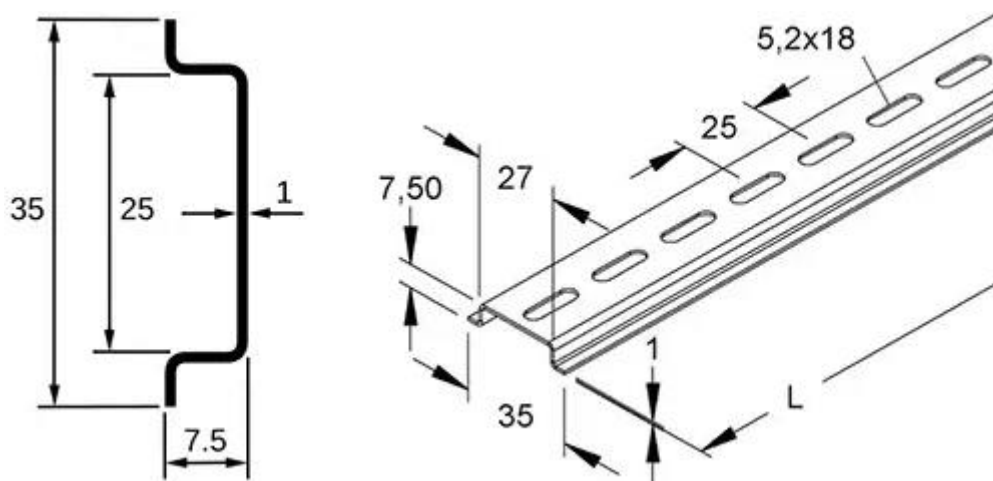
**SKU: [ASS1122](#)**

### **Brief Data:**

- Compatibility: Top Hat Slotted.
- Material: Aluminum Alloy.
- Length: 500mm.
- Width: 35mm.
- Height: 7.5mm.
- Wall Thickness: 1mm.
- DIN Rail Type: Slotted.

## Mechanical Dimension:

Unit: mm.



## Application Examples:





# Handsontec.com

**We have the parts for your ideas**

---

HandsOn Technology provides a multimedia and interactive platform for everyone interested in electronics. From beginner to diehard, from student to lecturer. Information, education, inspiration and entertainment. Analog and digital, practical and theoretical; software and hardware.



open source  
hardware

HandsOn Technology support Open Source Hardware (OSHW) Development Platform.

*Learn : Design : Share*

*handsontec.com*



**The Face behind our product quality...**

**In a world of constant change and continuous technological development, a new or replacement product is never far away – and they all need to be tested.**

**Many vendors simply import and sell without checks and this cannot be the ultimate interests of anyone, particularly the customer. Every part sell on Handsotec is fully tested. So when buying from Handsotec products range, you can be confident you're getting outstanding quality and value.**

**We keep adding the new parts so that you can get rolling on your next project.**



[www.handsontec.com](http://www.handsontec.com)

[Breakout Boards & Modules](#)



[Connectors](#)



[www.handsontec.com](http://www.handsontec.com)

[Electro-Mechanical Parts](#)



[www.handsontec.com](http://www.handsontec.com)

[Engineering Material](#)



[www.handsontec.com](http://www.handsontec.com)

[Mechanical Hardware](#)



[Electronics Components](#)

P



[www.handsontec.com](http://www.handsontec.com)

[Power Supply](#)



[Arduino Board & Shield](#)

[Tools & Accessory](#)



[www.handsontec.com](http://www.handsontec.com)

[Tools & Accessory](#)