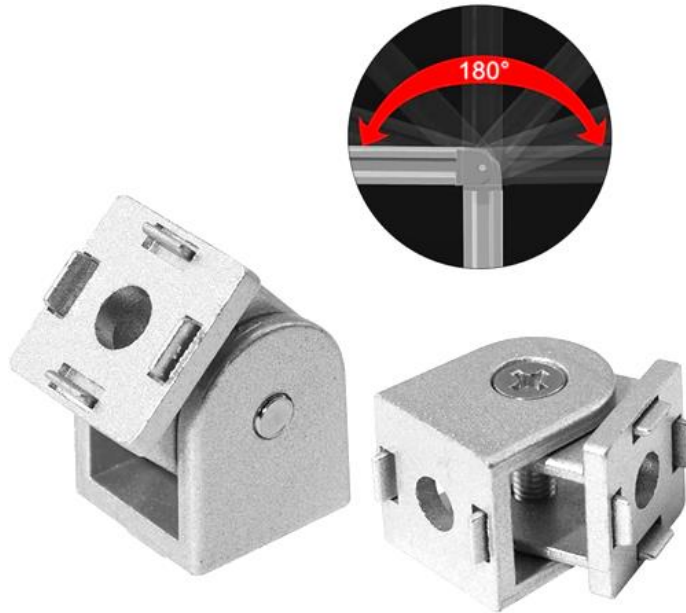




Data Specs

Swivel Pivot Joint for 2020 Profile

In need of a connecting solution that joins different structural bars or profiles? This pivot joint allows you to attach two profiles at different angles within 180° degrees. You can use this pivot joint as a connecting component on a variety of projects in your home, DIY and workshops.



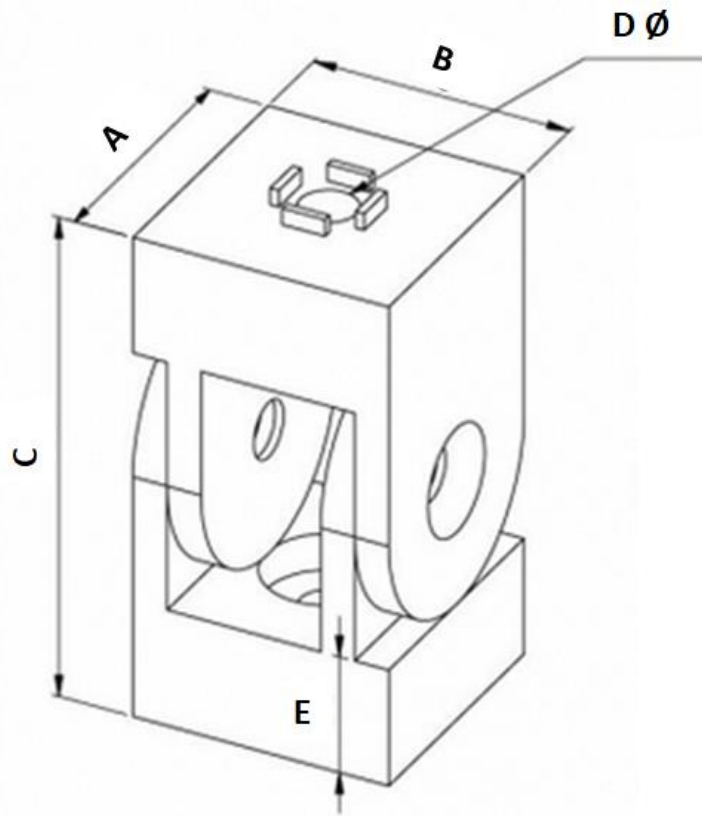
SKU: [FTA1032](#)

Brief Data:

- Connector Type: Pivot Joint.
- Structural Element Type: Connector Bracket & Joint.
- Fits Groove Size: 5mm/6mm.
- Turning Angle: 180°.
- Fits Strut Profile: (30x30) mm.
- Material: Die Cast Aluminium Alloy.
- Weight: 95g.

Mechanical Dimension:

Unit: mm



Model	A	B	C	DØ	E	SKU
3030P	30	30	60	Ø6.30	14	FTA1055



Handsontec.com

We have the parts for your ideas

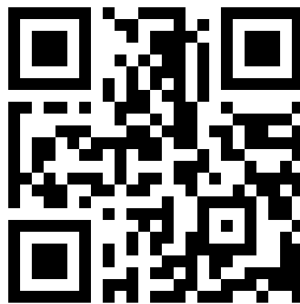
HandsOn Technology provides a multimedia and interactive platform for everyone interested in electronics. From beginner to diehard, from student to lecturer. Information, education, inspiration and entertainment. Analog and digital, practical and theoretical; software and hardware.



HandsOn Technology support Open Source Hardware (OSHW) Development Platform.

Learn : Design : Share

handsontec.com



The Face behind our product quality...

In a world of constant change and continuous technological development, a new or replacement product is never far away – and they all need to be tested.

Many vendors simply import and sell without checks and this cannot be the ultimate interests of anyone, particularly the customer. Every part sell on Handsotec is fully tested. So when buying from Handsotec products range, you can be confident you're getting outstanding quality and value.

We keep adding the new parts so that you can get rolling on your next project.



www.handsontec.com

[Breakout Boards & Modules](#)



[Connectors](#)



www.handsontec.com

[Electro-Mechanical Parts](#)



www.handsontec.com

[Engineering Material](#)



www.handsontec.com

[Mechanical Hardware](#)



[Electronics Components](#)

P



www.handsontec.com

[Power Supply](#)



[Arduino Board & Shield](#)

[Tools & Accessory](#)



www.handsontec.com

[Tools & Accessory](#)