



Chrome Plated Foldable Steel Carry Handle

You can make light work of manoeuvring and transporting bulky items with this steel carry handle. Thanks to its chrome-plated finish, this reliable handle has excellent anti-corrosion properties and long lasting. There are two spring-loaded detents connected to the handle, which means it will remain firmly in the position you left it in. The handle is foldable to takes up less space, great for compact working spaces. It's commonly used in applications that require minimal protrusion.



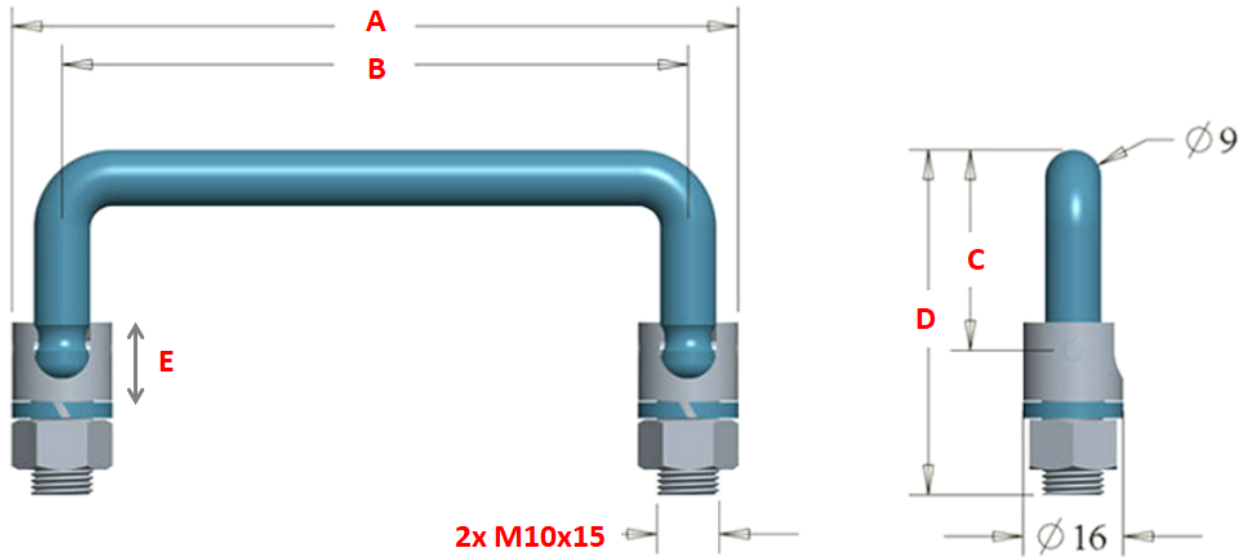
SKU: [FTA1039](#)

Brief Data:

- Type: Spring Loaded Foldable Handle.
- Foldable: Yes.
- Spring Loaded: Yes.
- Handle Material: Chrome Plated Steel.
- Dimensions: (116x55) mm.
- Thread Length: M10x15mm.
- Handle Rod Diameter: Ø9mm.
- Folding Angle. 90°.
- Fixing Centre Distance: 100mm.
- Handle Type: Carrying Handle.
- Thread: Male thread.
- Finishing: Chrome Shiny Smooth.
- Weight: 122g.

Mechanical Dimension:

Unit: mm



| SKU | A | B | C | D | E |
|---------|-----|-----|----|----|----|
| FTA1036 | 116 | 100 | 32 | 55 | 12 |



Handsontec.com

We have the parts for your ideas

HandsOn Technology provides a multimedia and interactive platform for everyone interested in electronics. From beginner to diehard, from student to lecturer. Information, education, inspiration and entertainment. Analog and digital, practical and theoretical; software and hardware.

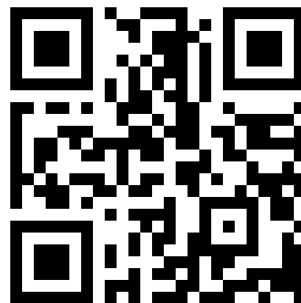


open source
hardware

HandsOn Technology support Open Source Hardware (OSHW) Development Platform.

Learn : Design : Share

handsontec.com



The Face behind our product quality...

In a world of constant change and continuous technological development, a new or replacement product is never far away – and they all need to be tested.

Many vendors simply import and sell without checks and this cannot be the ultimate interests of anyone, particularly the customer. Every part sell on Handsotec is fully tested. So when buying from Handsotec products range, you can be confident you're getting outstanding quality and value.

We keep adding the new parts so that you can get rolling on your next project.



www.handsontec.com

[Breakout Boards & Modules](#)



[Connectors](#)



www.handsontec.com

[Electro-Mechanical Parts](#)



www.handsontec.com

[Engineering Material](#)



www.handsontec.com

[Mechanical Hardware](#)



[Electronics Components](#)

P



www.handsontec.com

[Power Supply](#)



[Arduino Board & Shield](#)

Tools & Accessory



www.handsontec.com

[Tools & Accessory](#)