



## User Guide

### 0~30Vdc 0.56" LED Digital Voltmeter ~ 3-Wires

Compact voltage panel meter suitable for various equipment and measurements application. Built with 0.56" 7-segment 3-digits LED display module for voltage display. 3-wires design for consistent voltage range measurement.



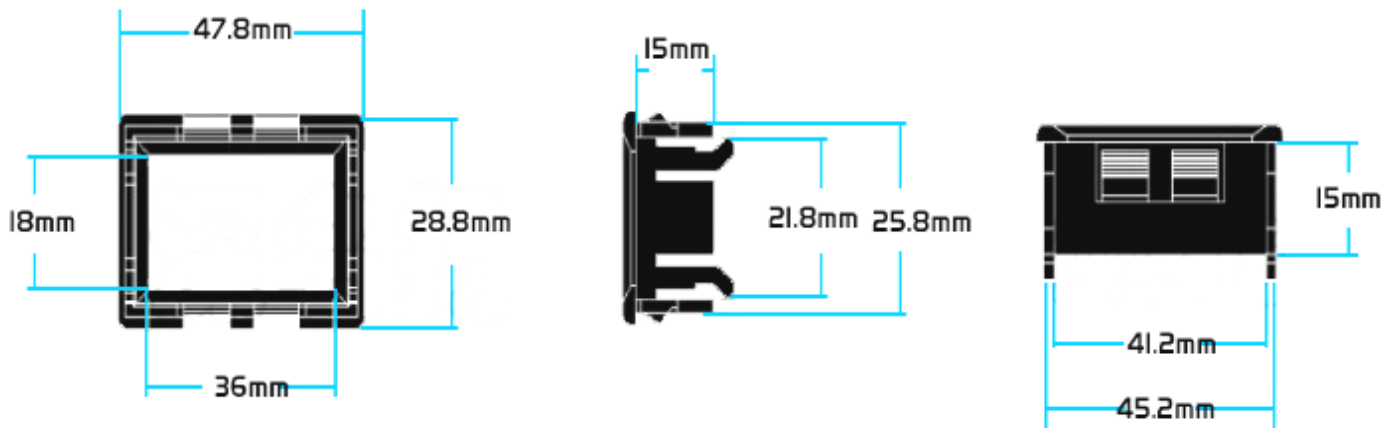
**SKU: [INS1019](#)**

#### **Brief Specification:**

- Voltage Measurement Range: 0.00 ~ 30.0VDC.
- Power Supply: 4.5~30.0Vdc.
- Input Resistance: >100K $\Omega$ .
- Voltage Measurement Accuracy:  $\pm 1\%$ 
  - $\pm 0.3V$  for  $V_{in} > 10V$ .
  - $\pm 0.10V$  for  $V_{in} < 10V$ .
- Operating Current: <23mA.
- Refresh Rate: ~300mS.
- Display: 3-Digit 0.56".
- Display Color: Red, Green & Blue.
- Dimensions: 48 x 29 x 22 mm (L x W x H).
- Mounting Hole Cut-out: 46 x 27 mm.
- Operating Temperature:  $-10^{\circ}C \sim 65^{\circ}C$ .
- Weight: 25g.

## Mechanical Dimension:

Unit: mm



## Connection Diagram:



<b>Red Wire</b>	<b>4.5 ~ 30Vdc</b>
<b>Black Wire</b>	<b>Supply/Input Ground</b>
<b>White Wire</b>	<b>Measurement Input 0.0~30V</b>



# Handsontec.com

**We have the parts for your ideas**

---

HandsOn Technology provides a multimedia and interactive platform for everyone interested in electronics. From beginner to diehard, from student to lecturer. Information, education, inspiration and entertainment. Analog and digital, practical and theoretical; software and hardware.



open source  
hardware

HandsOn Technology support Open Source Hardware (OSHW) Development Platform.

*Learn : Design : Share*

*handsontec.com*



## The Face behind our product quality...

In a world of constant change and continuous technological development, a new or replacement product is never far away – and they all need to be tested.

Many vendors simply import and sell without checks and this cannot be the ultimate interests of anyone, particularly the customer. Every part sold on Handsontec is fully tested. So when buying from Handsontec products range, you can be confident you're getting outstanding quality and value.

We keep adding the new parts so that you can get rolling on your next project.



[www.handsontec.com](http://www.handsontec.com)

[Breakout Boards & Modules](#)



[Connectors](#)



[www.handsontec.com](http://www.handsontec.com)

[Electro-Mechanical Parts](#)



[www.handsontec.com](http://www.handsontec.com)

[Engineering Material](#)



[www.handsontec.com](http://www.handsontec.com)

[Mechanical Hardware](#)



[Electronics Components](#)

P



[www.handsontec.com](http://www.handsontec.com)

[Power Supply](#)



[Arduino Board & Shield](#)

[Tools & Accessory](#)



[www.handsontec.com](http://www.handsontec.com)

[Tools & Accessory](#)