



DC 0~100V/50A LED Dual Display Digital VA Meter

Compact voltage and current panel meter suitable for various equipments and measurements application. Built with dual 0.3" 7-segment 3-digits LED display module for simultaneous voltage and current display. Separate color for voltage and current display for easy reading.



Attention: Current Shunt MUST BE CONNECTED before power up the module for measurement, otherwise the module will be damaged !!!

SKU: [MDU1048](#)

Brief Specification:

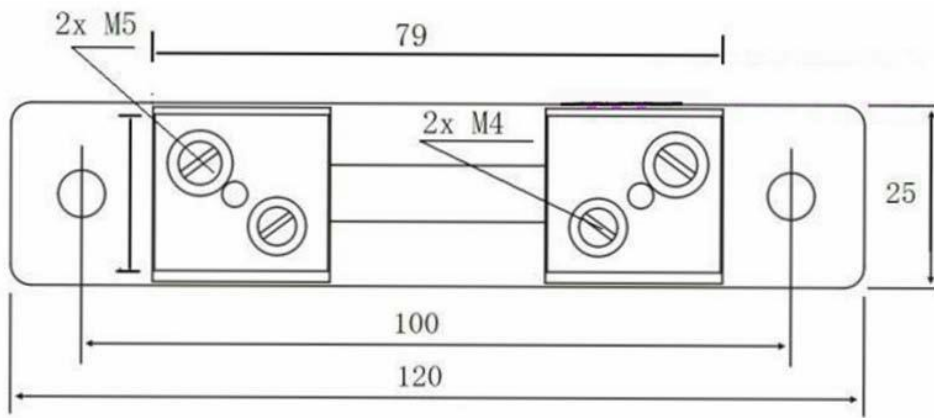
- Voltage Measurement Range: 0~100Vdc.
- Current Range: 0~50A.
- Power supply Input: 4~30.0Vdc.
- Voltage Measurement Accuracy: $\pm 0.1\%$.
- Current Measurement Accuracy: $\pm 1.0\%$.
- Current Shunt: 50A/75mV.
- Operating Current: <20mA.
- Refresh Rate: ~300mS.
- Display: Double 3-Digit 0.28" LED.
- Display Color: Red (Voltage) + Blue (Current).
- Lead length: 15cm.
- Dimensions: 48 x 29 x 22 mm (L x W x H).
- Mounting Hole Cut-out: 46 x 27 mm.
- Weight: 70gram (include Current Shunt)
- Operating Temperature: -10°C ~65°C.

Mechanical Dimension:

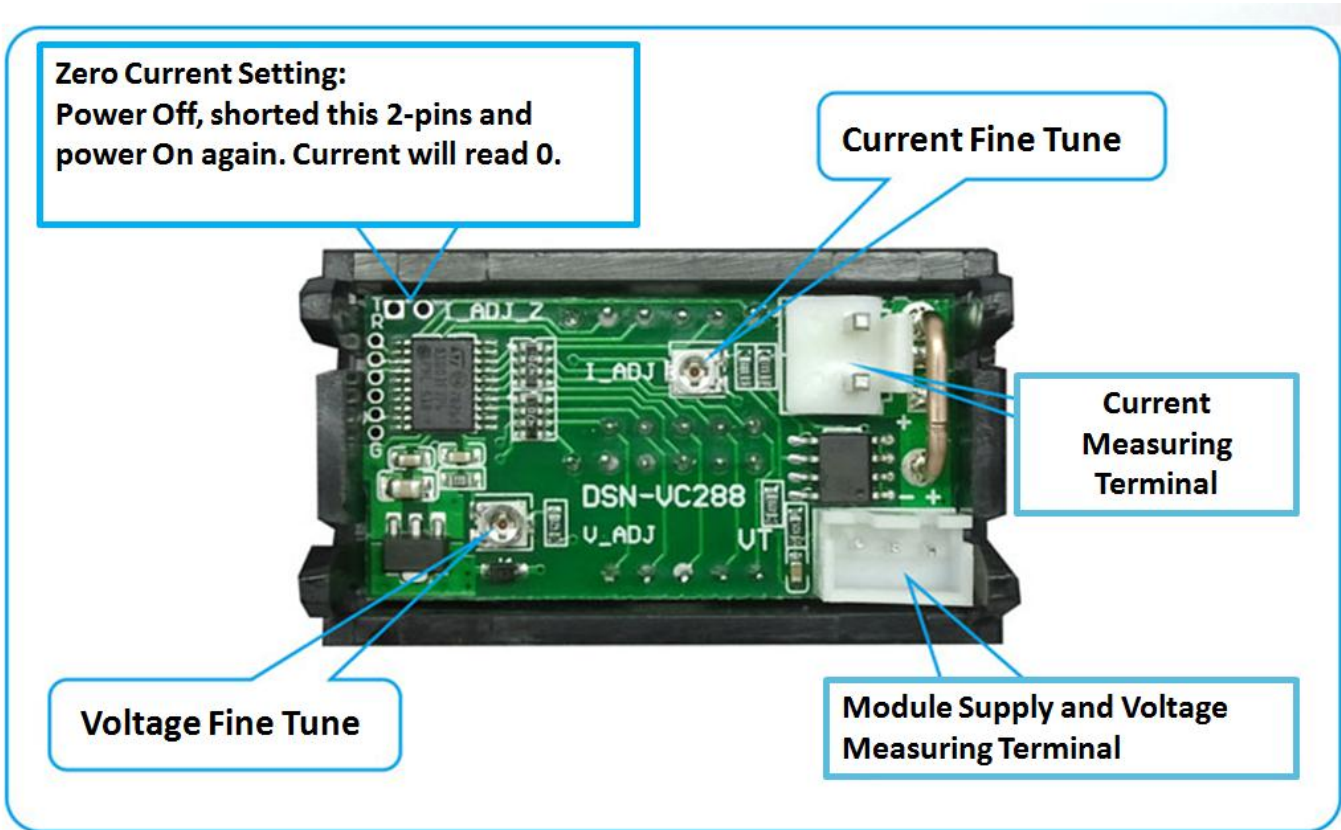
Unit: mm



50A~75mV Current Shunt:



Functional Diagram:

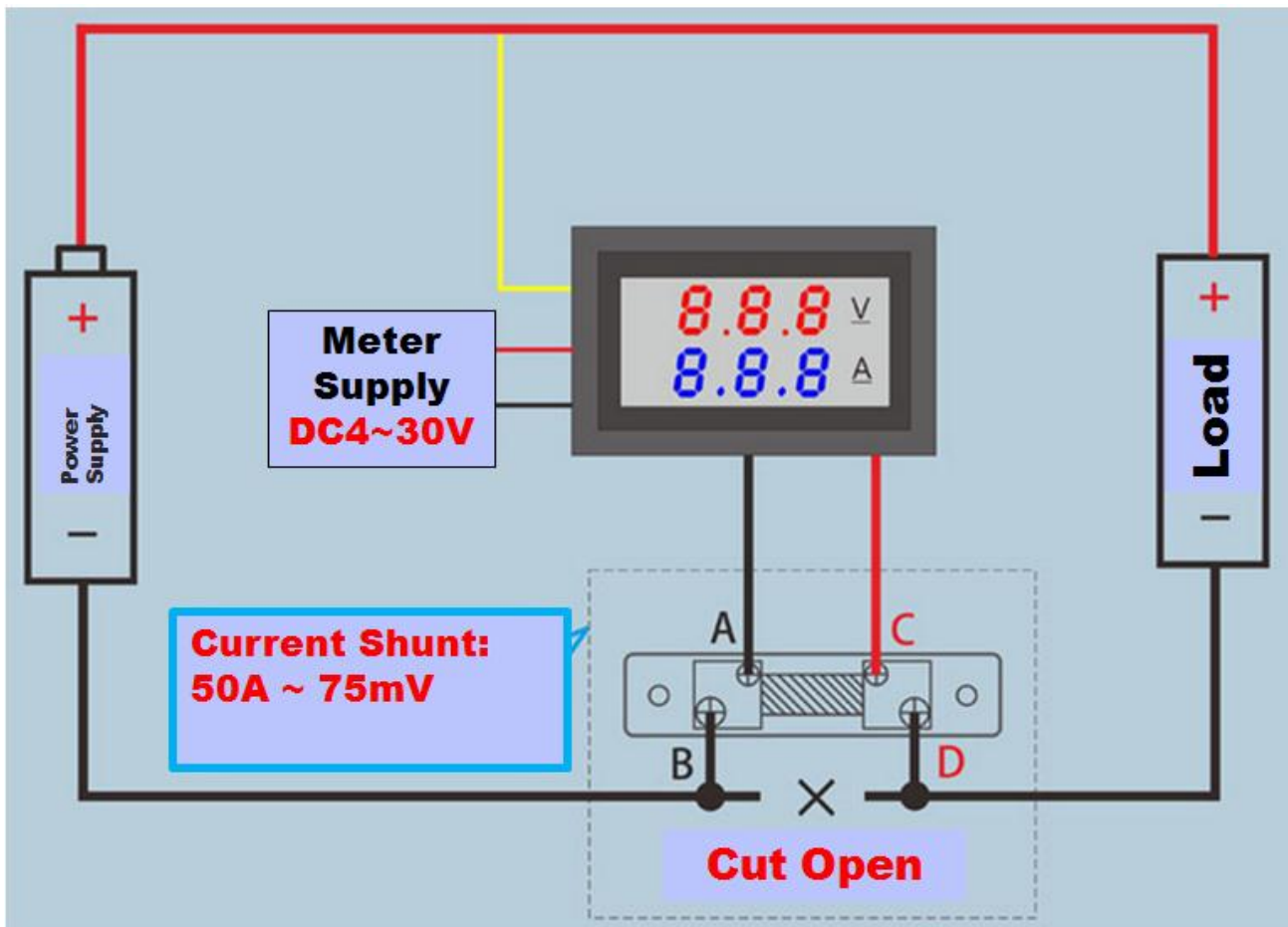


Application Examples:

Connection Method 1:

The connection diagram below shown using separate power supply for meter module and supply for load.

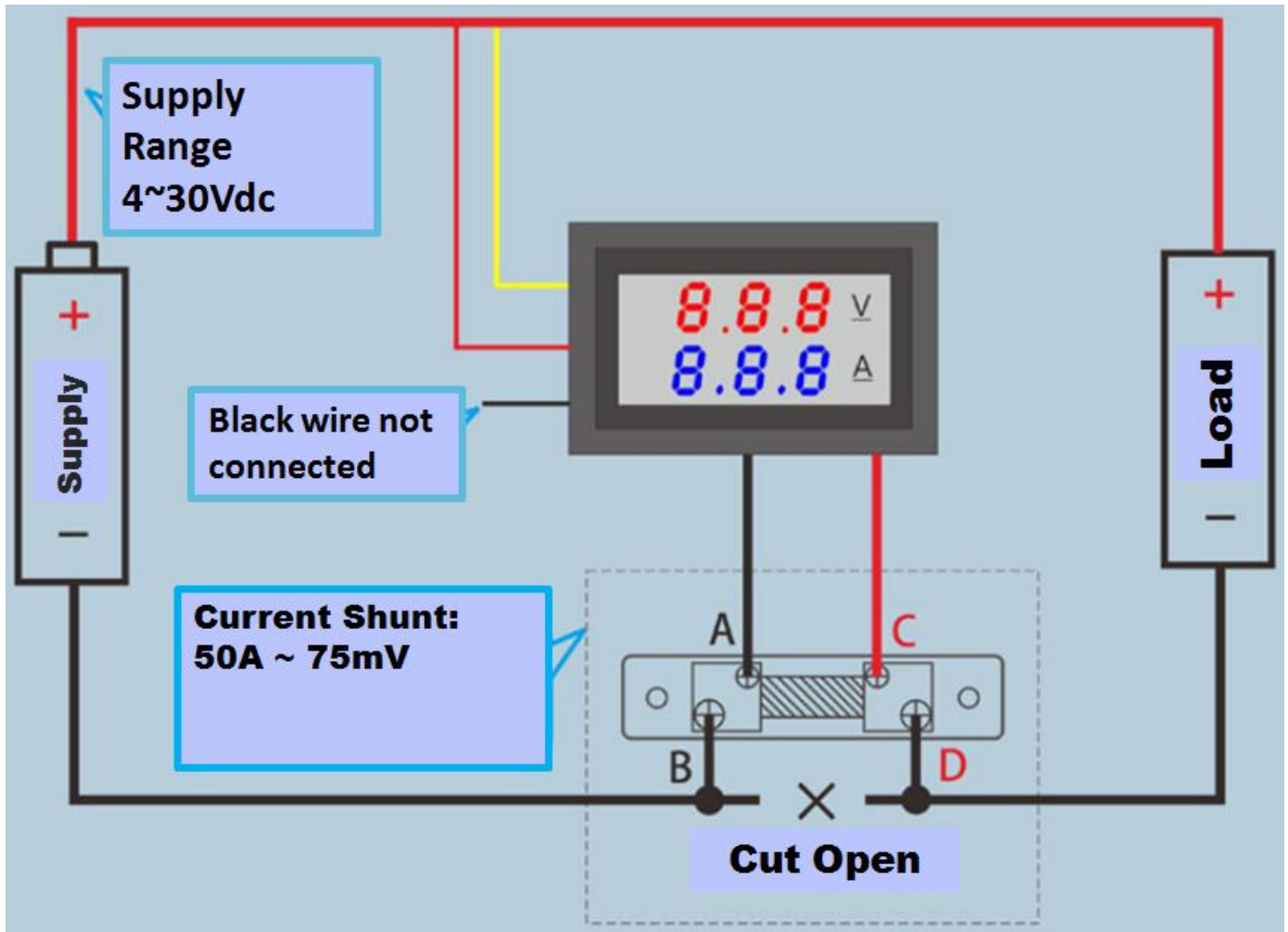
The module supply limited to supply voltage of 4~30Vdc. The load supply limited to measurement range of the meter at 100Vdc and load current measurement of 50A Maximum. Refer to wiring diagram 1.



Wiring Diagram 1

Connection Method 2:

In the below connection diagram, the meter module and load supply share the same power supply line. In this case, the load supply only limits to 30Vdc maximum as this is the maximum voltage allowed for the meter module. Refer to wiring diagram 2.



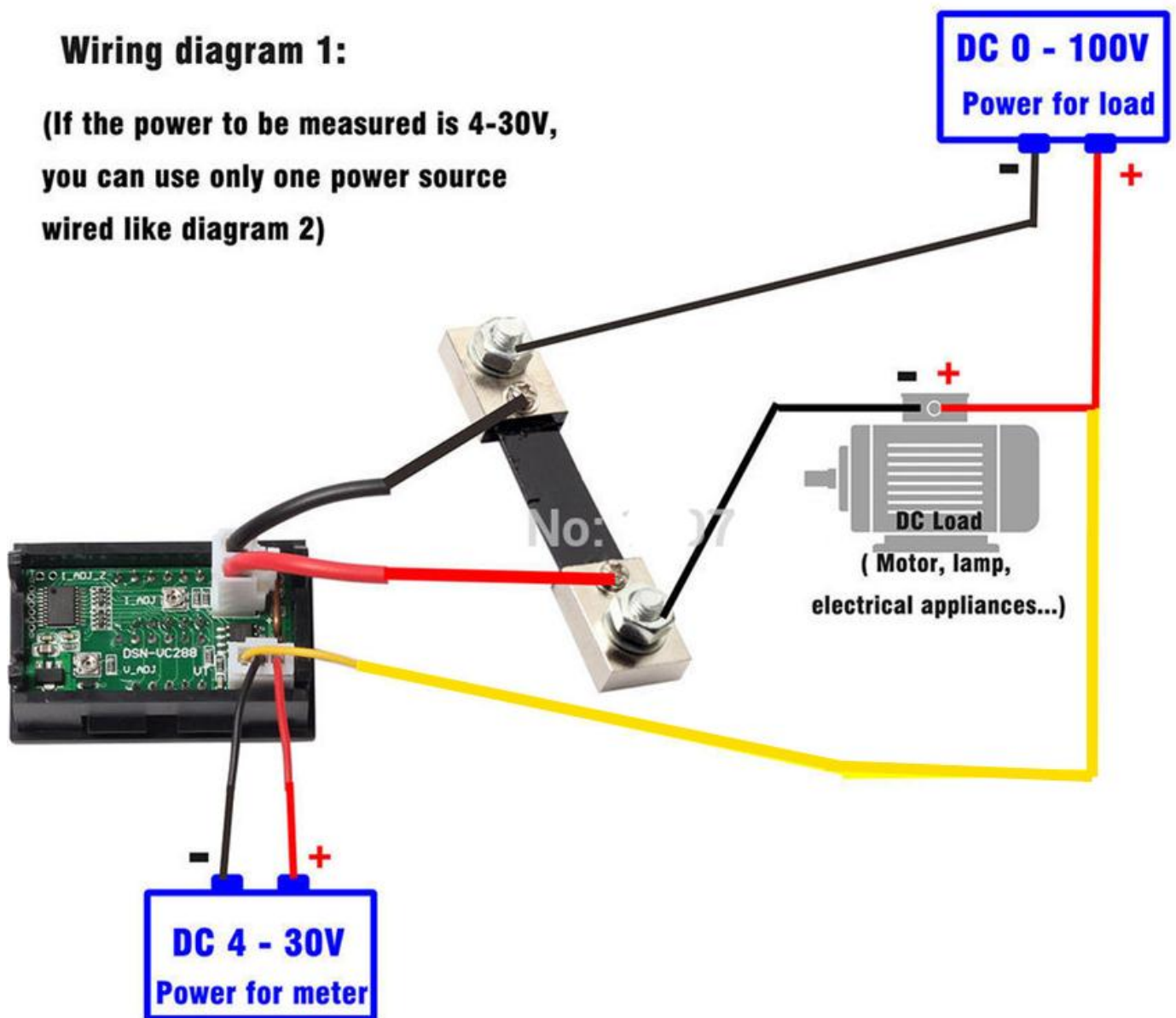
Wiring Diagram 2

Use connection method-1 if the required load supply voltage is greater than 30Vdc up to maximum 100Vdc. Use method-2 if required load supply voltage is less than 30Vdc.

Wiring Diagram 1:

Wiring diagram 1:

(If the power to be measured is 4-30V,
you can use only one power source
wired like diagram 2)



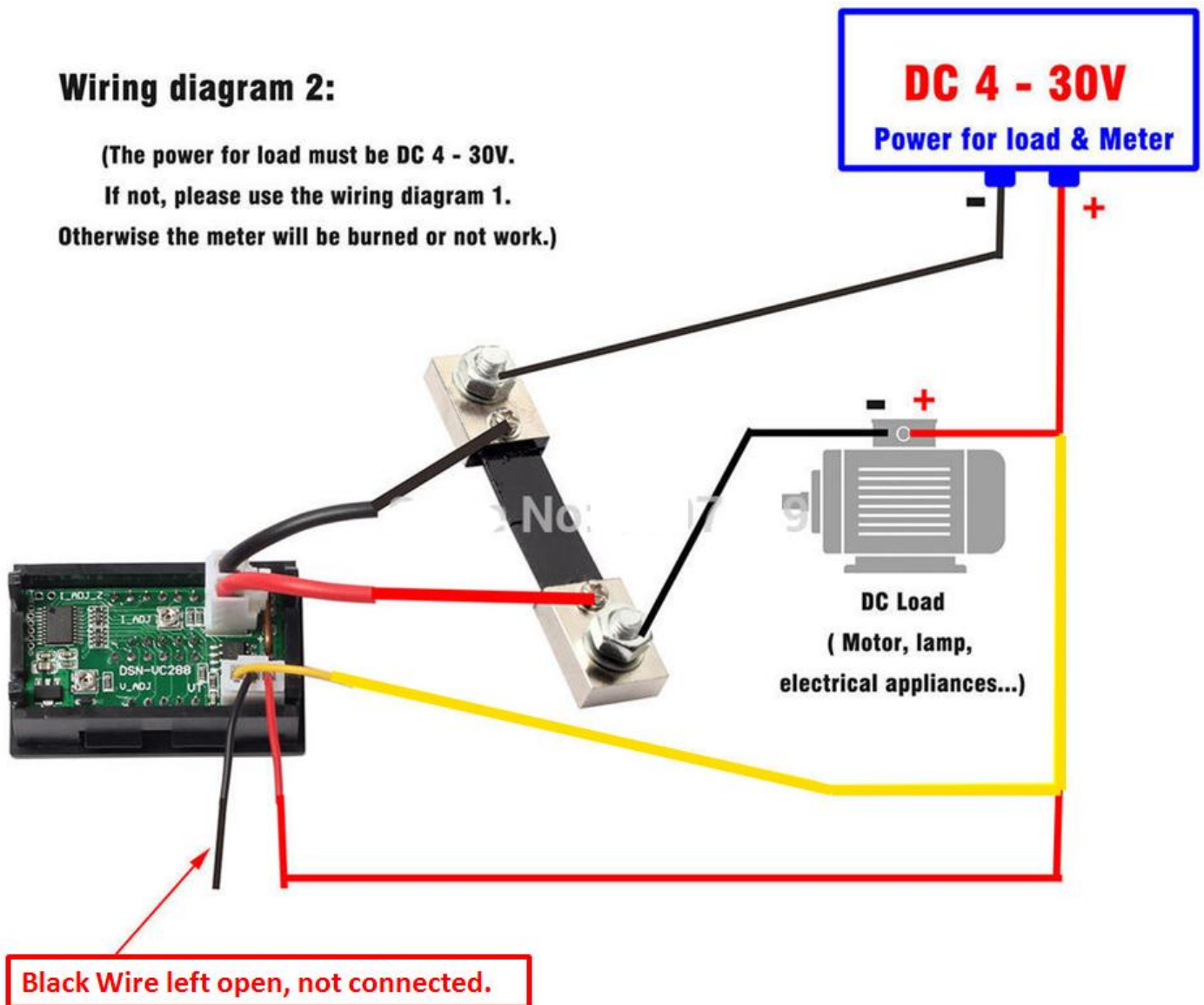
Wiring Diagram 2:

Wiring diagram 2:

(The power for load must be DC 4 - 30V.

If not, please use the wiring diagram 1.

Otherwise the meter will be burned or not work.)



Package Include:



- 1x Dual Display VA Meter Module.
- 1x 50A~75mV Current Shunt.
- 2x Connecting Cable.

Web Resources:

- Dual Display Volt-Amp Meter.



Handsontec.com

We have the parts for your ideas

HandsOn Technology provides a multimedia and interactive platform for everyone interested in electronics. From beginner to diehard, from student to lecturer. Information, education, inspiration and entertainment. Analog and digital, practical and theoretical; software and hardware.



open source
hardware

HandsOn Technology support Open Source Hardware (OSHW) Development Platform.

Learn : Design : Share

handsontec.com



The Face behind our product quality...

In a world of constant change and continuous technological development, a new or replacement product is never far away – and they all need to be tested.

Many vendors simply import and sell without checks and this cannot be the ultimate interests of anyone, particularly the customer. Every part sold on Handsontec is fully tested. So when buying from Handsontec products range, you can be confident you're getting outstanding quality and value.

We keep adding the new parts so that you can get rolling on your next project.



www.handsontec.com

[Breakout Boards & Modules](#)



[Connectors](#)



www.handsontec.com

[Electro-Mechanical Parts](#)



www.handsontec.com

[Engineering Material](#)



www.handsontec.com

[Mechanical Hardware](#)



[Electronics Components](#)

P



www.handsontec.com

[Power Supply](#)



[Arduino Board & Shield](#)

[Tools & Accessory](#)



www.handsontec.com

[Tools & Accessory](#)