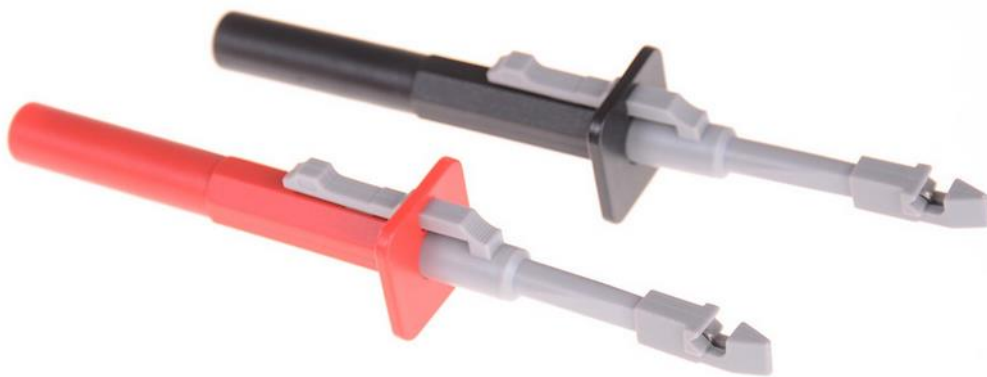




Wire Insulation Piercing Test Probe 1000V~10A

This Insulation Piercing Probe have a hardened stainless steel piercing tip, assuring a reliable connection to insulated wires from 22 to 14AWG without the need to cut or strip the insulation. With a spring loaded clamp to hold the wire in place, the piercing needle operates quickly and efficiently, leaving only a small hole that can be easily resealed. This insulation piercing probe with banana plugs are a unique and versatile connection solution for test lead applications.



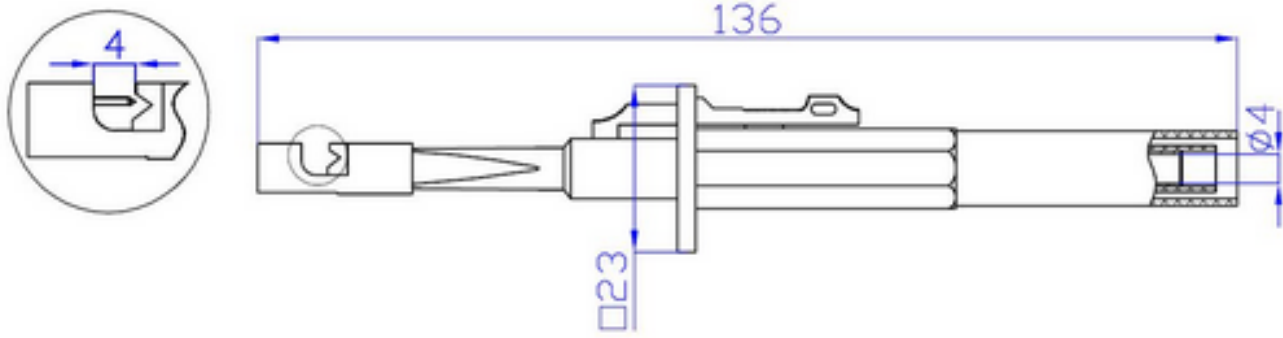
SKU: [ASS1089](#)

Brief Data:

- Color: Black & Red.
- Current Rating: 10A.
- Voltage Rating: 1000V.
- Contact Material: Stainless Steel.
- Tip Size: 2mm.
- Banana Socket: Ø4mm.
- Probe Socket Size: 4mm.
- Insulation Material: PA.
- Length: 136mm.

Mechanical Dimension:

Unit: mm



Application Diagram:





Handsontec.com

We have the parts for your ideas

HandsOn Technology provides a multimedia and interactive platform for everyone interested in electronics. From beginner to diehard, from student to lecturer. Information, education, inspiration and entertainment. Analog and digital, practical and theoretical; software and hardware.



open source
hardware

HandsOn Technology support Open Source Hardware (OSHW) Development Platform.

Learn : Design : Share

www.handsontec.com



The Face behind our product quality...

In a world of constant change and continuous technological development, a new or replacement product is never far away – and they all need to be tested.

Many vendors simply import and sell without checks and this cannot be the ultimate interests of anyone, particularly the customer. Every part sell on Handsontec is fully tested. So when buying from Handsontec products range, you can be confident you're getting outstanding quality and value.

We keep adding the new parts so that you can get rolling on your next project.



www.handsontec.com

[Breakout Boards & Modules](#)



[Connectors](#)



www.handsontec.com

[Electro-Mechanical Parts](#)



www.handsontec.com

[Engineering Material](#)



www.handsontec.com

[Mechanical Hardware](#)



[Electronics Components](#)

P



www.handsontec.com

[Power Supply](#)



[Arduino Board & Shield](#)

Tools & Accessory



www.handsontec.com

[Tools & Accessory](#)