



## RV24 Series Ø24mm Carbon Film Potentiometer

This RV24 series of Ø6mm shaft diameter rotary potentiometers suitable for various applications. Widely used within electronics, each model can be mounted within various devices or even on PCB applications. These particular models generally have a rotational life of 15,000 revolutions and will excel within audio or electronic uses. All models are highly reliable and excellent quality.



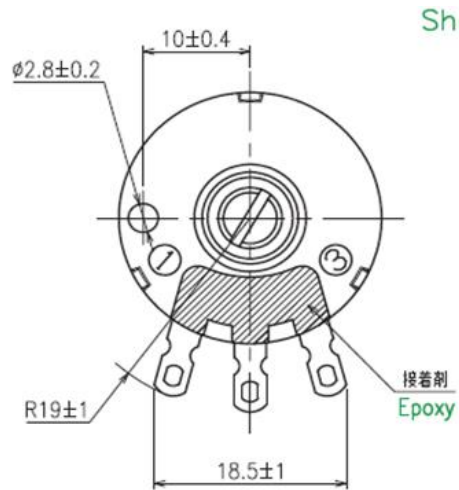
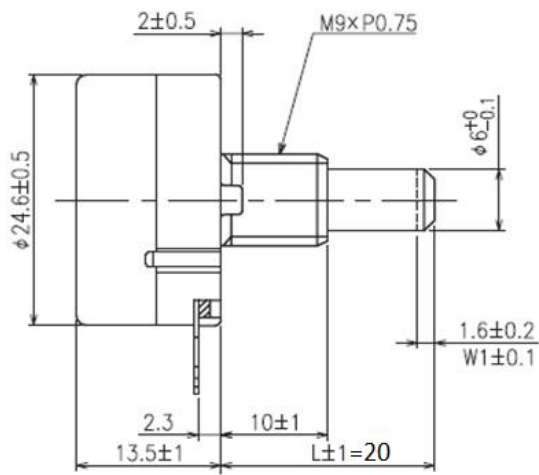
**SKU: [RES1520](#)**

### **Brief Data:**

- Model: RV24YN Series.
- Potentiometer Type: Rotary.
- Resistance: 200kΩ.
- Resistance Taper: B Linear.
- Number of Turns: 1.
- Element Material: Carbon Film.
- Mounting Type: Panel Mount.
- Termination Style: Solder.
- Shaft Length: 10mm.
- Shaft Diameter: Ø6mm.
- Actuator Type: Slotted Shaft.
- Mechanical Angle: 300°±5°.
- Power Rating: 400mW.
- Tolerance: ±10%

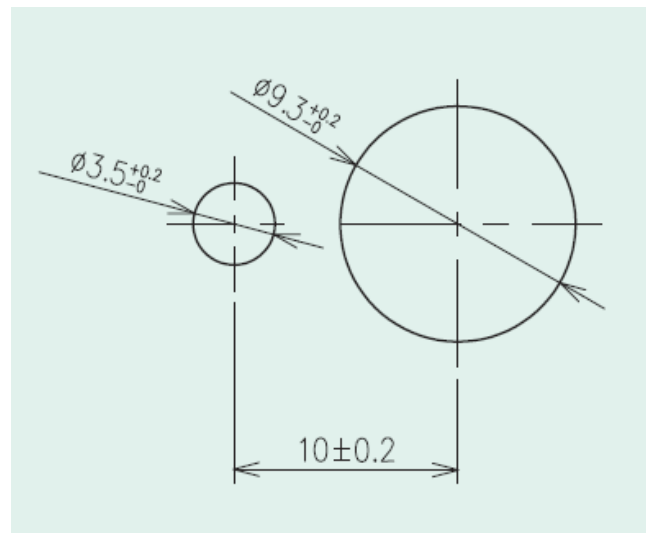
## Mechanical Dimension:

Unit: mm

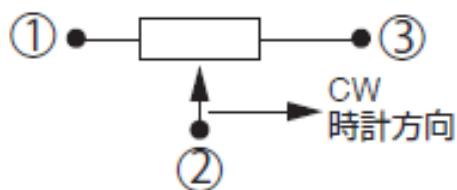


Shaft type : S

## Mounting Hole Cut-Out:



## Circuit:



端子位置にご注意ください  
note the terminal position



# Handsontec.com

**We have the parts for your ideas**

---

HandsOn Technology provides a multimedia and interactive platform for everyone interested in electronics. From beginner to diehard, from student to lecturer. Information, education, inspiration and entertainment. Analog and digital, practical and theoretical; software and hardware.



open source  
hardware

HandsOn Technology support Open Source Hardware (OSHW) Development Platform.

*Learn : Design : Share*

*handsontec.com*



## The Face behind our product quality...

In a world of constant change and continuous technological development, a new or replacement product is never far away – and they all need to be tested.

Many vendors simply import and sell without checks and this cannot be the ultimate interests of anyone, particularly the customer. Every part sell on Handsotec is fully tested. So when buying from Handsotec products range, you can be confident you're getting outstanding quality and value.

We keep adding the new parts so that you can get rolling on your next project.



[www.handsontec.com](http://www.handsontec.com)

[Breakout Boards & Modules](#)



[Connectors](#)



[www.handsontec.com](http://www.handsontec.com)

[Electro-Mechanical Parts](#)



[Engineering Material](#)



[www.handsontec.com](http://www.handsontec.com)

[Mechanical Hardware](#)



[Electronics Components](#)

P



[www.handsontec.com](http://www.handsontec.com)

[Power Supply](#)



[Arduino Board & Shield](#)

Tools & Accessory



[www.handsontec.com](http://www.handsontec.com)

[Tools & Accessory](#)