



ER25 High Precision Spring Collet

A collet is a form of chuck, but it is not identical. While a chuck is tightened around an object, a collet utilizes clamping pressure by forming a collar around the object being held, holding it securely in place. ER collets are the gold standard when it comes to clamping systems. These collets come in a standard series ER-8 through ER-50 with each series number referring to the receptacles tapered diameter size in millimeters.



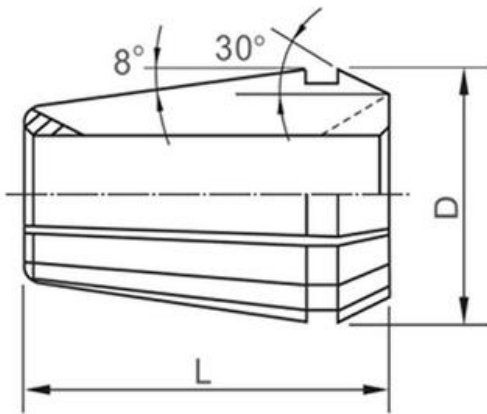
SKU: [ASS1177](#)

Brief Specification:

- Collet Family: ER25.
- Collet Bore Size: $\varnothing 4.0\text{mm}$.
- Clamping Range: $\varnothing 3\sim\varnothing 4\text{mm}$.
- Overall Length: 34mm.
- Outer Diameter: 26mm
- Material: Spring Steel.

Mechanical Dimension:

Unit: mm

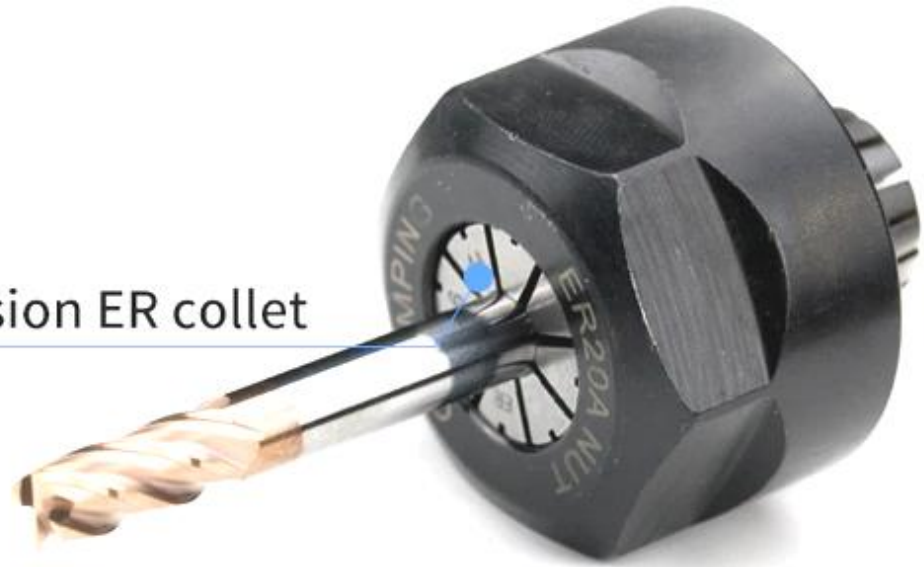


Model	L	D	Contraction range	Radial accuracy	Level	Clamping range
ER8	14.0	8.4	0.5	0.008	AA	1—5
ER11	18.5	11.2	0.5	0.008	AA	1—7
ER16	27.9	16.9	0.5	0.008	AA	1—10
ER20	31.1	20.9	0.5	0.008	AA	1—13
ER25	34.1	25.9	0.5	0.008	AA	1—16
ER32	40	32.9	0.5	0.008	AA	1—20
ER40	46.1	40.9	0.5	0.008	AA	3—25

Unit: mm

Application Examples:

High precision ER collet





Handsontec.com

We have the parts for your ideas

HandsOn Technology provides a multimedia and interactive platform for everyone interested in electronics. From beginner to diehard, from student to lecturer. Information, education, inspiration and entertainment. Analog and digital, practical and theoretical; software and hardware.



open source
hardware

HandsOn Technology support Open Source Hardware (OSHW) Development Platform.

Learn : Design : Share

handsontec.com



The Face behind our product quality...

In a world of constant change and continuous technological development, a new or replacement product is never far away – and they all need to be tested.

Many vendors simply import and sell without checks and this cannot be the ultimate interests of anyone, particularly the customer. Every part sold on Handsontec is fully tested. So when buying from Handsontec products range, you can be confident you're getting outstanding quality and value.

We keep adding the new parts so that you can get rolling on your next project.



www.handsontec.com

[Breakout Boards & Modules](#)



[Connectors](#)



www.handsontec.com

[Electro-Mechanical Parts](#)



www.handsontec.com

[Engineering Material](#)



www.handsontec.com

[Mechanical Hardware](#)



[Electronics Components](#)

P



www.handsontec.com

[Power Supply](#)



[Arduino Board & Shield](#)

[Tools & Accessory](#)



www.handsontec.com

[Tools & Accessory](#)