



1.27mm Pitch Multicolor Flat Ribbon Cable

This series of 10 color repeat clear carrier color coded ribbon cable, 28-AWG wire on 0.05inch center, permits mass termination to a broad line of IDC connectors. Stranded wire provides flexibility and extended product life. A spacing of 0.05inch (1.27mm) is the most usual, allowing for a two-row connector with a pin spacing of 0.10inch (2.54mm).



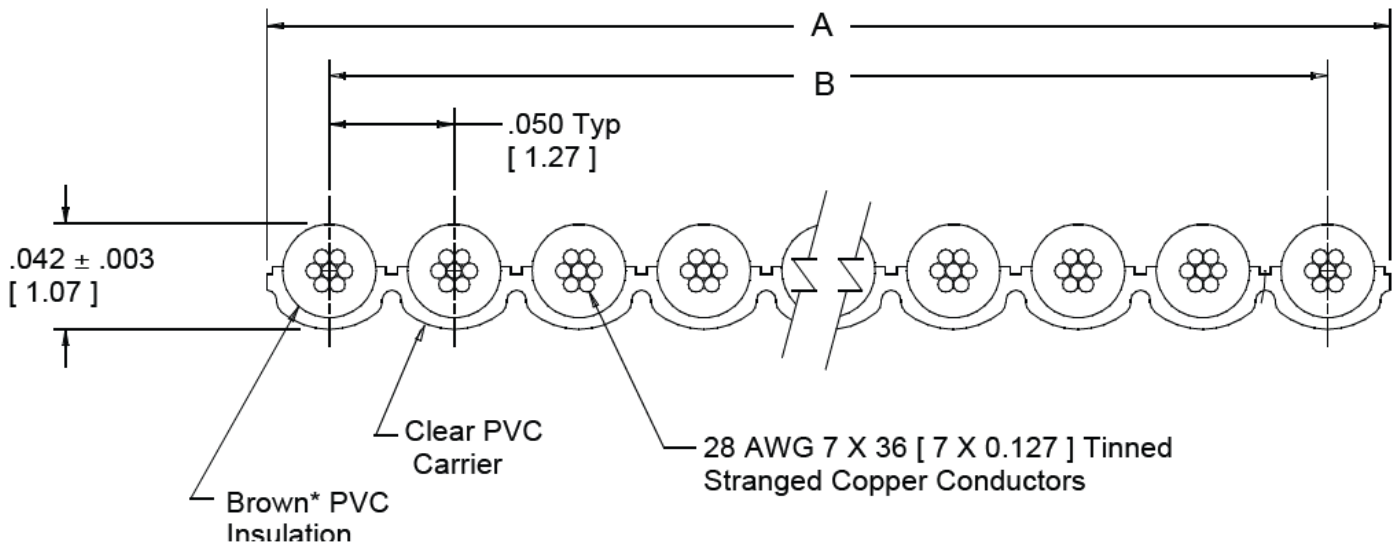
SKU: [CON1299](#)

Brief Data:

- Cable Gauge: 28-AWG.
- Pitch: 1.27mm.
- Color: 10 Color Repeat, Clear Carrier.
- Conductor: Tinned Stranded Copper.
- Conductor Strand: $\text{Ø}0.12\text{mm} \times 7$ Strand.
- Voltage Rating: 300V.
- Characteristic Impedance: Unbalanced 105 Ω .
- Capacitance: 46pF/m.
- Inductance: 0.49 $\mu\text{H}/\text{m}$.
- Insulation Resistance: 100M Ω/M min.
- Operating Temperature: -20°C to +105°C.
- Flammability Rating: VW-1-FT1.

Mechanical Dimension:

Unit: Inch/[mm]= ±0.15mm



*** 10 Color Repeat**

- Brown
- Red
- Orange
- Yellow
- Green
- Blue
- Violet
- Gray
- White
- Black



Handsontec.com

We have the parts for your ideas

HandsOn Technology provides a multimedia and interactive platform for everyone interested in electronics. From beginner to diehard, from student to lecturer. Information, education, inspiration and entertainment. Analog and digital, practical and theoretical; software and hardware.



open source
hardware

HandsOn Technology support Open Source Hardware (OSHW) Development Platform.

Learn : Design : Share

www.handsontec.com



The Face behind our product quality...

In a world of constant change and continuous technological development, a new or replacement product is never far away – and they all need to be tested.

Many vendors simply import and sell without checks and this cannot be the ultimate interests of anyone, particularly the customer. Every part sell on Handsontec is fully tested. So when buying from Handsontec products range, you can be confident you're getting outstanding quality and value.

We keep adding the new parts so that you can get rolling on your next project.



www.handsontec.com

[Breakout Boards & Modules](#)



[Connectors](#)



www.handsontec.com

[Electro-Mechanical Parts](#)



www.handsontec.com

[Engineering Material](#)



www.handsontec.com

[Mechanical Hardware](#)



[Electronics Components](#)

P



www.handsontec.com

[Power Supply](#)



[Arduino Board & Shield](#)

[Tools & Accessory](#)



www.handsontec.com

[Tools & Accessory](#)