



## Round Cable Rubber Grommet - Black

This rubber cable grommet is ideal for smoothing boreholes for the cable feed-through. The open grommet designed to snap neatly and quickly into position. Easy to insert, and aesthetically enhancing, this rubber cable grommet is an ideal solution to electrical wire management.



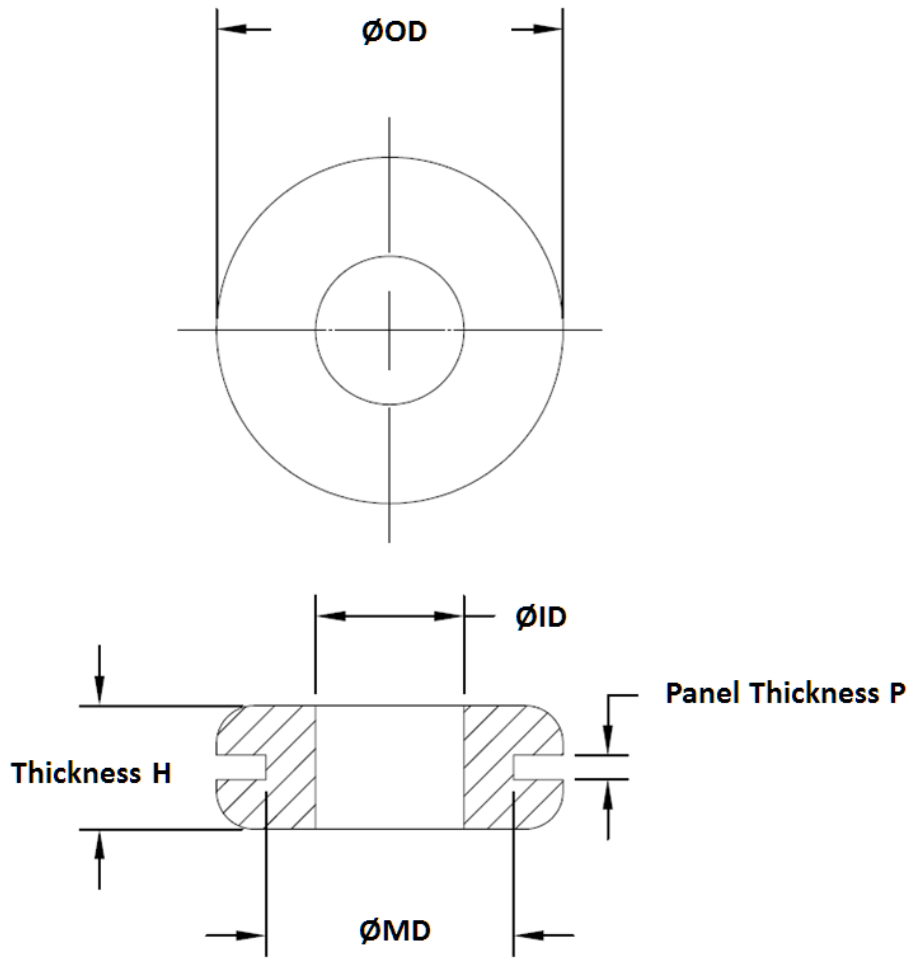
**SKU:** [ASS1177](#)

### **Brief Data:**

- Grommet Type: Round
- Center Bore: Ø4.8mm.
- Maximum Cable Diameter: Ø4mm.
- Panel Hole Diameter: 7mm.
- Material: Rubber.
- Color: Black.
- Maximum Panel Thickness: 2mm.
- Operating Temperature: -40°C ~ +130°C.

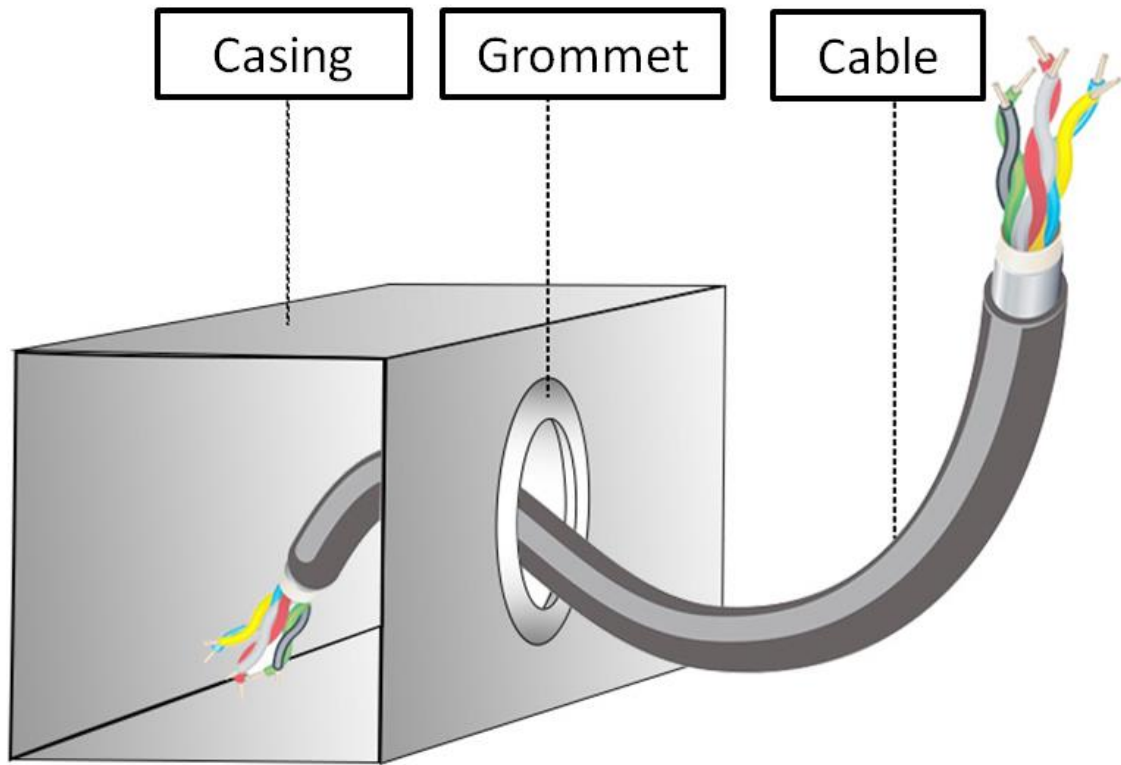
**Mechanical Dimension:**

**Unit: mm**



$\varnothing ID$	$\varnothing OD$	P	H	$\varnothing MD$	SKU
5	11	2	6	7	ASS1177

**Application Example:**





# Handsontec.com

**We have the parts for your ideas**

---

HandsOn Technology provides a multimedia and interactive platform for everyone interested in electronics. From beginner to diehard, from student to lecturer. Information, education, inspiration and entertainment. Analog and digital, practical and theoretical; software and hardware.



open source  
hardware

HandsOn Technology support Open Source Hardware (OSHW) Development Platform.

*Learn : Design : Share*

*handsontec.com*



**The Face behind our product quality...**

**In a world of constant change and continuous technological development, a new or replacement product is never far away – and they all need to be tested.**

**Many vendors simply import and sell without checks and this cannot be the ultimate interests of anyone, particularly the customer. Every part sell on Handsotec is fully tested. So when buying from Handsotec products range, you can be confident you're getting outstanding quality and value.**

**We keep adding the new parts so that you can get rolling on your next project.**



[www.handsontec.com](http://www.handsontec.com)

[Breakout Boards & Modules](#)



[Connectors](#)



[www.handsontec.com](http://www.handsontec.com)

[Electro-Mechanical Parts](#)



[Engineering Material](#)



[www.handsontec.com](http://www.handsontec.com)

[Mechanical Hardware](#)



[Electronics Components](#)

P



[www.handsontec.com](http://www.handsontec.com)

[Power Supply](#)



[Arduino Board & Shield](#)

[Tools & Accessory](#)



[www.handsontec.com](http://www.handsontec.com)

[Tools & Accessory](#)