



IP68 Cable Gland with Lock Nut - Black

This series of cable glands can be used where ever wires and cables need to be inserted into panel-style housings through pre-bored holes. Their space saving design makes them ideal for Machine and Equipment, Manufacturing, Photovoltaic and Solar Electric Technology, Control and Automation Technology.



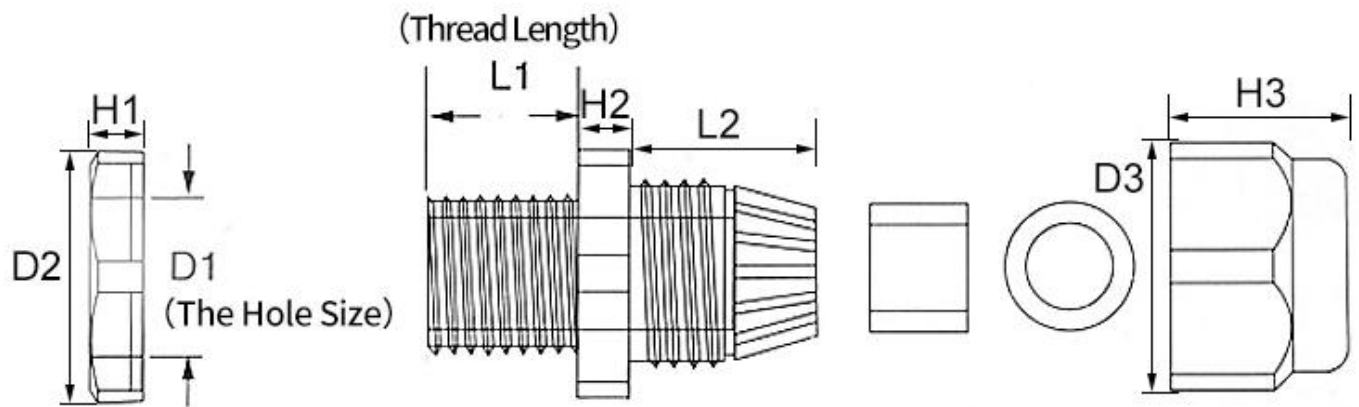
SKU: [CAS1008](#)

Brief Data:

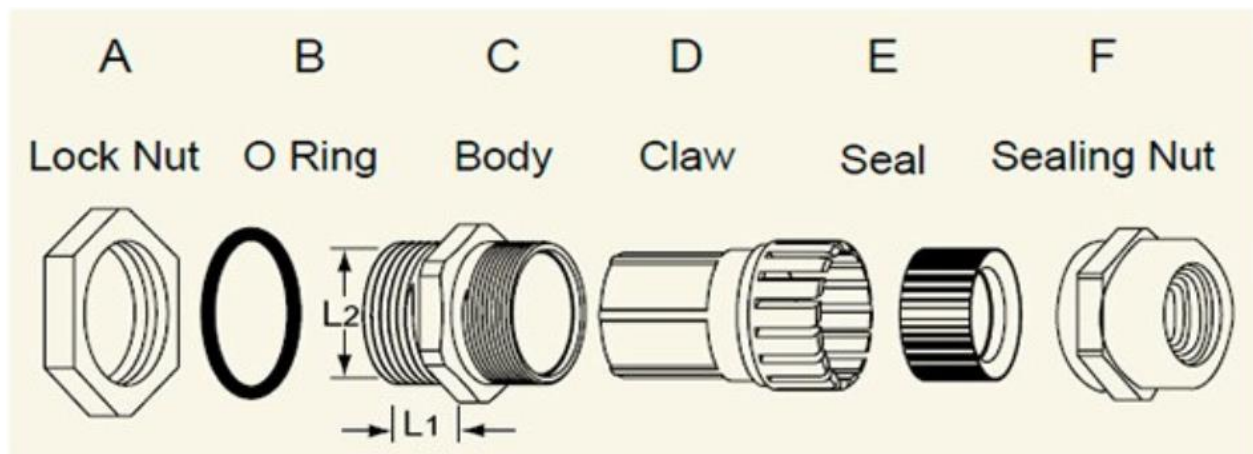
- Thread Size OD: 12.6mm.
- Material: Nylon PA66.
- Cable Diameter: (Ø3~Ø6) mm.
- Color: Black.
- IP Rating: IP68.
- Operating Temperature: -20~100°C
- Locknut Included: Yes.
- Weight: 3.9g.

Mechanical Dimension:

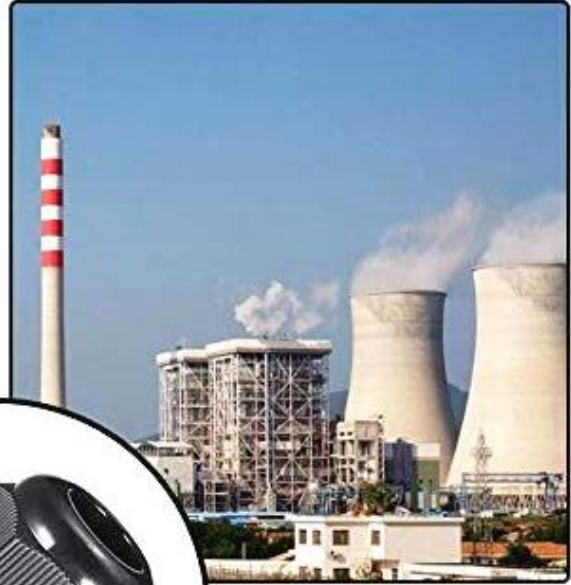
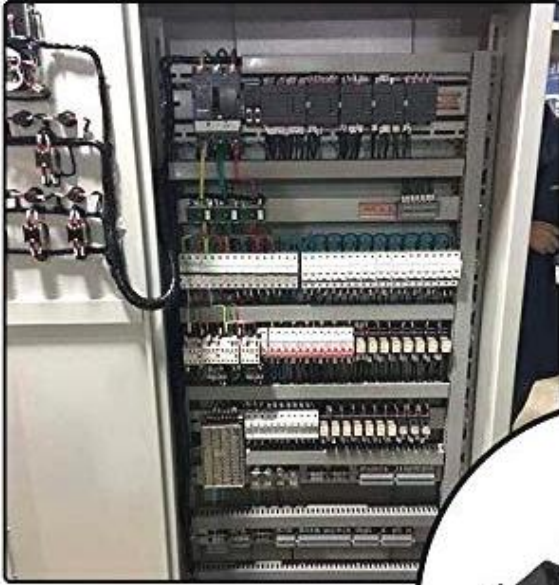
Unit: mm



Model	Cable Ø	D1	L1	L2	H1	H2	H2	SKU
PG-7	3~6	8.3	10	14	4.6	4.6	13	CAS1008



Application Method:





Handsontec.com

We have the parts for your ideas

HandsOn Technology provides a multimedia and interactive platform for everyone interested in electronics. From beginner to diehard, from student to lecturer. Information, education, inspiration and entertainment. Analog and digital, practical and theoretical; software and hardware.



open source
hardware

HandsOn Technology support Open Source Hardware (OSHW) Development Platform.

Learn : Design : Share

handsontec.com



The Face behind our product quality...

In a world of constant change and continuous technological development, a new or replacement product is never far away – and they all need to be tested.

Many vendors simply import and sell without checks and this cannot be the ultimate interests of anyone, particularly the customer. Every part sell on Handsotec is fully tested. So when buying from Handsotec products range, you can be confident you're getting outstanding quality and value.

We keep adding the new parts so that you can get rolling on your next project.



www.handsontec.com

[Breakout Boards & Modules](#)



[Connectors](#)



www.handsontec.com

[Electro-Mechanical Parts](#)



www.handsontec.com

[Engineering Material](#)



www.handsontec.com

[Mechanical Hardware](#)



[Electronics Components](#)

P



www.handsontec.com

[Power Supply](#)



[Arduino Board & Shield](#)

Tools & Accessory



www.handsontec.com

[Tools & Accessory](#)