



Cable Strain Relief Bushing - Black

This cable strain relief bushing is ideal for smoothing boreholes for the cable feed-through. Securely protects cable at entry point. Protects cable by absorbing the forces of pull, push and twist that may be exerted on a flexible power cord. Can be mounted in anti-rotation hole.



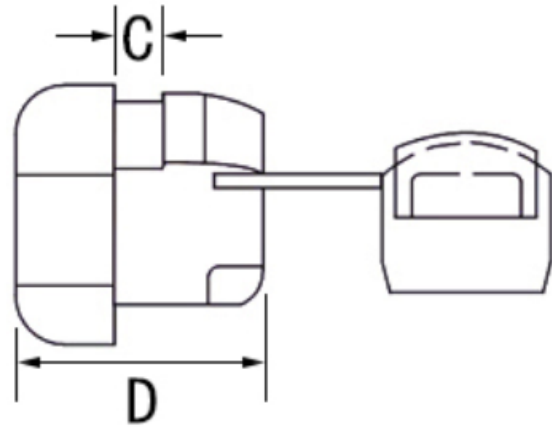
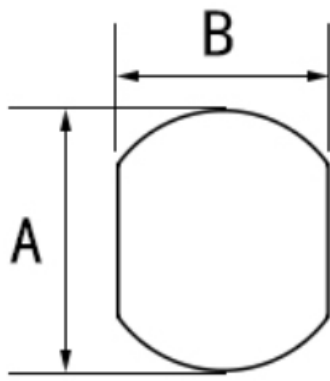
SKU: [CAS1005](#)

Brief Data:

- Bushing Type: Flat.
- Cable Outer Diameter OD: (Ø6.5~ Ø8)mm.
- Panel Hole Diameter: 16mm.
- Material: PA66 Nylon.
- UL94 Rating: V2.
- Color: Black.
- Maximum Panel Thickness: 2mm.
- Operating Temperature: -40°C ~ +130°C.

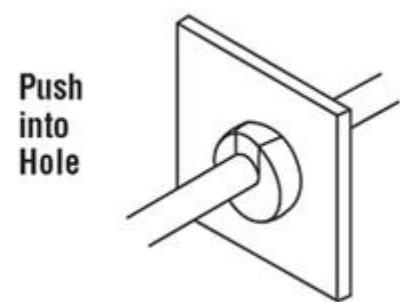
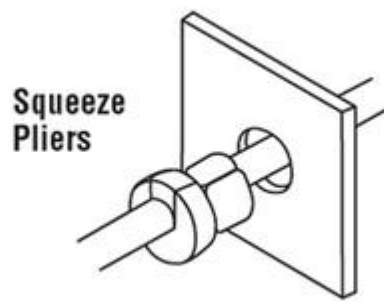
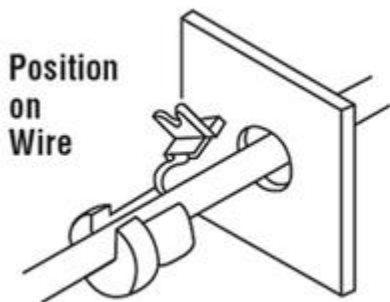
Mechanical Dimension:

Unit: mm

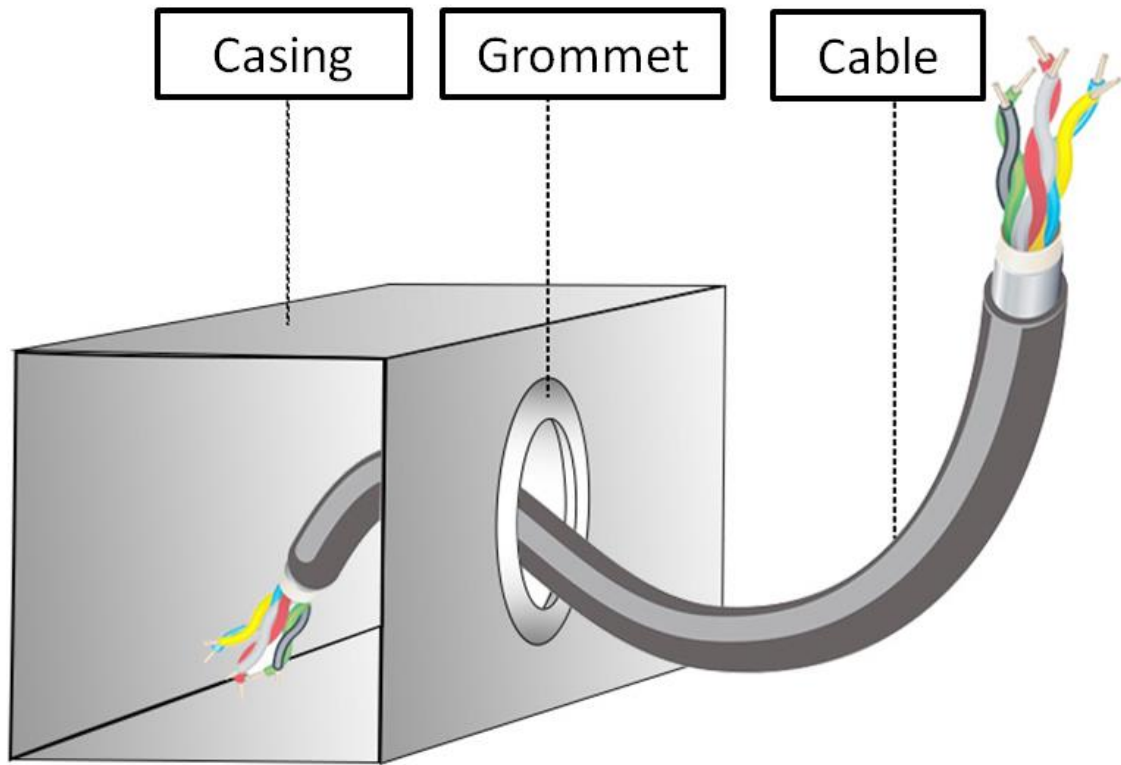


| Model | Cable OD Ø | A | B | C | D | SKU |
|-------|------------|----|----|-----|----|---------|
| 7N-2 | 6.5~8.0 | 20 | 17 | 1.8 | 19 | CAS1005 |

Application Method:



Application Example:





Handsontec.com

We have the parts for your ideas

HandsOn Technology provides a multimedia and interactive platform for everyone interested in electronics. From beginner to diehard, from student to lecturer. Information, education, inspiration and entertainment. Analog and digital, practical and theoretical; software and hardware.



open source
hardware

HandsOn Technology support Open Source Hardware (OSHW) Development Platform.

Learn : Design : Share

handsontec.com



The Face behind our product quality...

In a world of constant change and continuous technological development, a new or replacement product is never far away – and they all need to be tested.

Many vendors simply import and sell without checks and this cannot be the ultimate interests of anyone, particularly the customer. Every part sell on Handsotec is fully tested. So when buying from Handsotec products range, you can be confident you're getting outstanding quality and value.

We keep adding the new parts so that you can get rolling on your next project.



www.handsontec.com

[Breakout Boards & Modules](#)



[Connectors](#)



www.handsontec.com

[Electro-Mechanical Parts](#)



[Engineering Material](#)



www.handsontec.com

[Mechanical Hardware](#)



[Electronics Components](#)

P



www.handsontec.com

[Power Supply](#)



[Arduino Board & Shield](#)

[Tools & Accessory](#)



www.handsontec.com

[Tools & Accessory](#)