



Data Specs

M5x45mm Banana Binding Post

45mm body length 4mm Standard Banana Terminals. High-quality moulded parts in acetal. The terminal accepts 4mm banana plugs in the top. Maximum panel thickness 2mm. Connectors are available colour coded.



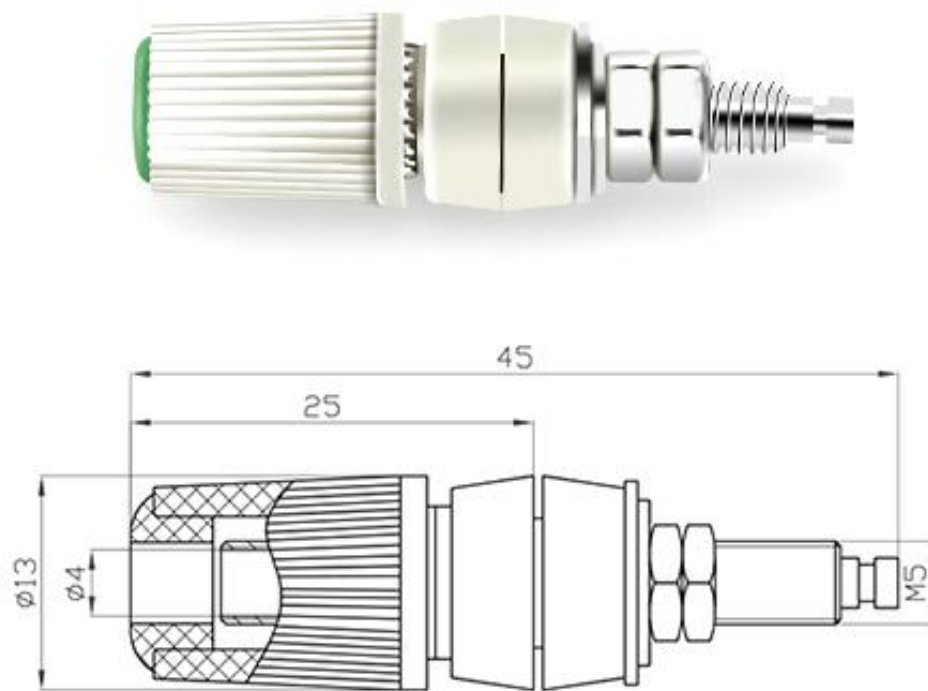
SKU: [CON111](#)

Brief Data:

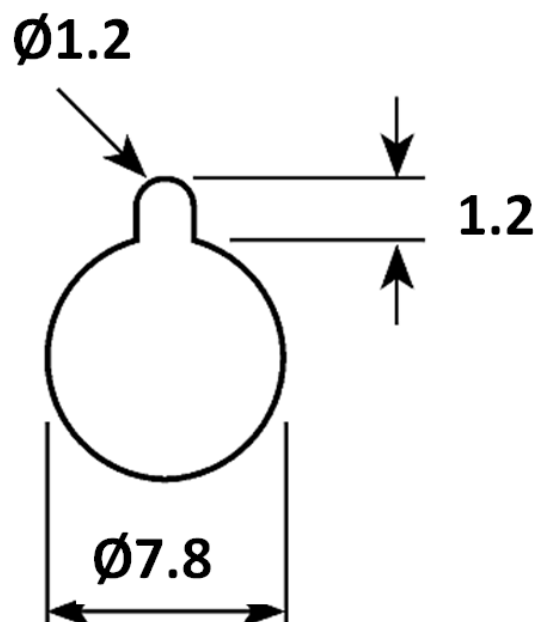
- 4mm Banana Terminal Block Connectors.
- Body Length: 45mm.
- Gender: Female Jack Terminal.
- Rated Voltage: 30VAC/60VDC
- Rated Current: 24A.
- Screw Terminal Size: M5 (Ø5mm).
- Insulator Material: ABS.
- Color: Red, Black, Yellow, Green, Blue.
- Panel Opening: Ø7.8mm + R1.2mm (Locking Location).
- Conductor Surface: Brass Nickel Plated.

Mechanical Dimension:

Unit: mm



Panel Opening Cut-Out:





Handsontec.com

We have the parts for your ideas

HandsOn Technology provides a multimedia and interactive platform for everyone interested in electronics. From beginner to diehard, from student to lecturer. Information, education, inspiration and entertainment. Analog and digital, practical and theoretical; software and hardware.



open source
hardware

HandsOn Technology support Open Source Hardware (OSHW) Development Platform.

Learn : Design : Share

handsontec.com



The Face behind our product quality...

In a world of constant change and continuous technological development, a new or replacement product is never far away – and they all need to be tested.

Many vendors simply import and sell without checks and this cannot be the ultimate interests of anyone, particularly the customer. Every part sell on Handsotec is fully tested. So when buying from Handsotec products range, you can be confident you're getting outstanding quality and value.

We keep adding the new parts so that you can get rolling on your next project.



www.handsontec.com

[Breakout Boards & Modules](#)



[Connectors](#)



www.handsontec.com

[Electro-Mechanical Parts](#)



www.handsontec.com

[Engineering Material](#)



www.handsontec.com

[Mechanical Hardware](#)



[Electronics Components](#)

P



www.handsontec.com

[Power Supply](#)



[Arduino Board & Shield](#)

Tools & Accessory



www.handsontec.com

[Tools & Accessory](#)