



Data Specs

Right Angle Ø4mm Banana Plug for Multi-Meter

High quality Ø4mm Safety Shrouded Banana Plug. 90° Degree Right Angle Plug. Self assembly DIY for multi-meter probe.



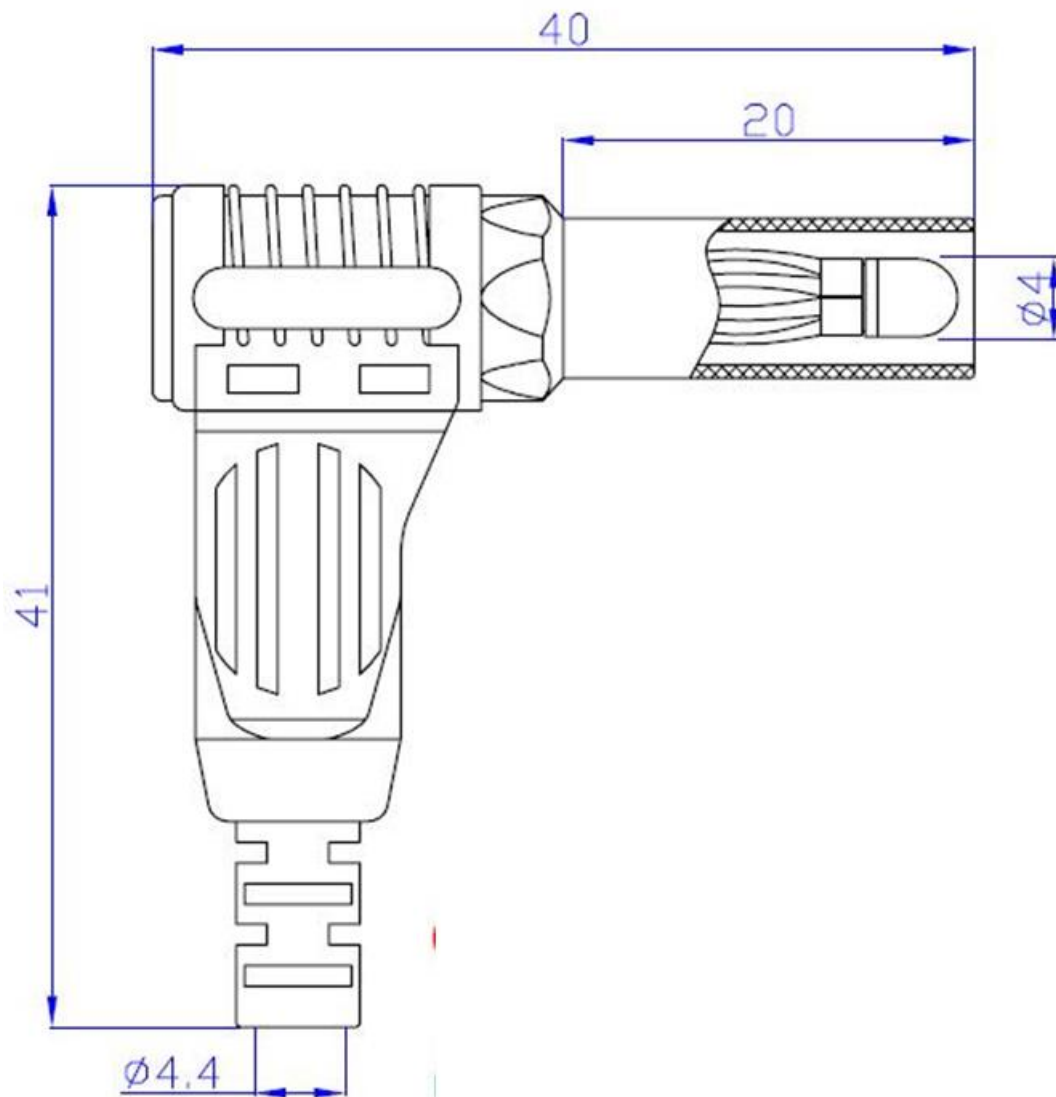
SKU: CON1231

Brief Data:

- Connector Type: Ø4mm Right Angle Plug.
- Fits all standard multi-meter with Ø4mm Banana Jacks.
- Easy solder connection with wire between 14~18AWG.
- 12 Leaf Cage Spring.
- Insulator Housing Material: Polyamides (PA).
- Contact: Brass and Beryllium Copper.
- Gender: Male.
- Termination Method: Solder.
- Safety Category: CAT III 1000V.
- Current Rating: 32A Max.
- Recommended Cable Outer Diameter: Ø4.4mm.
- Conductor Surface: Brass Nickel Plated.
- Weight: ~4g.

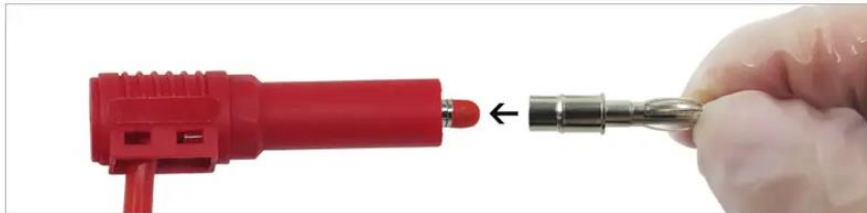
Mechanical Dimension:

Unit: mm



Fixing Guide:







Handsontec.com

We have the parts for your ideas

HandsOn Technology provides a multimedia and interactive platform for everyone interested in electronics. From beginner to diehard, from student to lecturer. Information, education, inspiration and entertainment. Analog and digital, practical and theoretical; software and hardware.

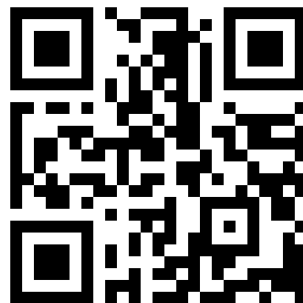


open source
hardware

HandsOn Technology support Open Source Hardware (OSHW) Development Platform.

Learn : Design : Share

handsontec.com



The Face behind our product quality...

In a world of constant change and continuous technological development, a new or replacement product is never far away – and they all need to be tested.

Many vendors simply import and sell without checks and this cannot be the ultimate interests of anyone, particularly the customer. Every part sell on Handsotec is fully tested. So when buying from Handsotec products range, you can be confident you're getting outstanding quality and value.

We keep adding the new parts so that you can get rolling on your next project.



www.handsontec.com

[Breakout Boards & Modules](#)



[Connectors](#)



www.handsontec.com

[Electro-Mechanical Parts](#)



www.handsontec.com

[Engineering Material](#)



www.handsontec.com

[Mechanical Hardware](#)



[Electronics Components](#)

P



www.handsontec.com

[Power Supply](#)



[Arduino Board & Shield](#)

Tools & Accessory



www.handsontec.com

[Tools & Accessory](#)