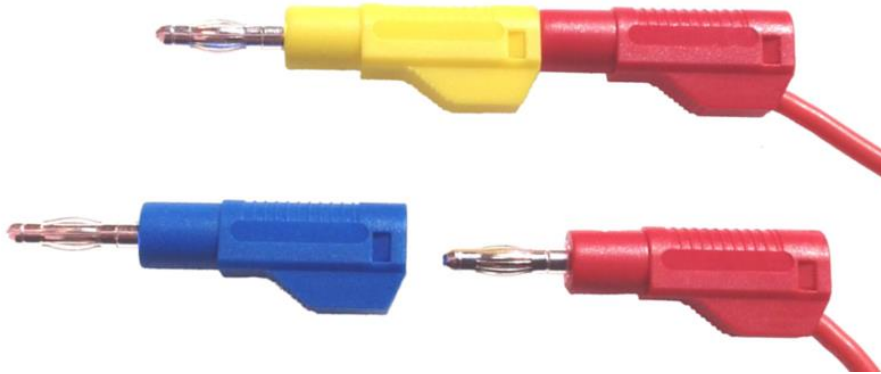




Data Specs

Ø4mm Stackable Banana Plug

High quality unshrouded, stackable 4mm Banana Plug, solder connection. Hands free testing up to 32A.



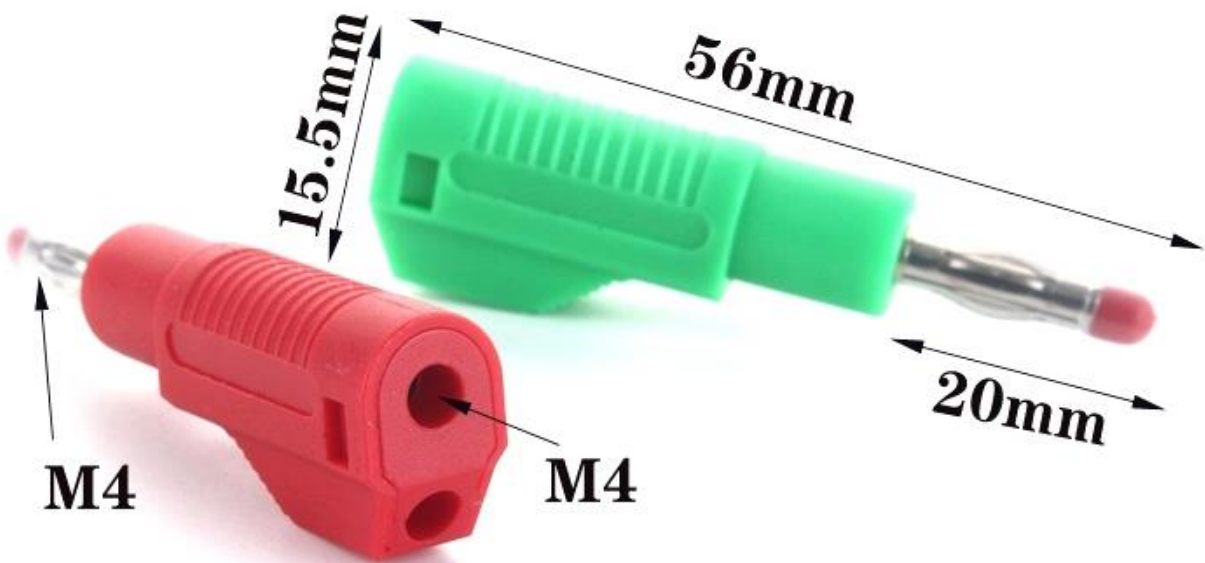
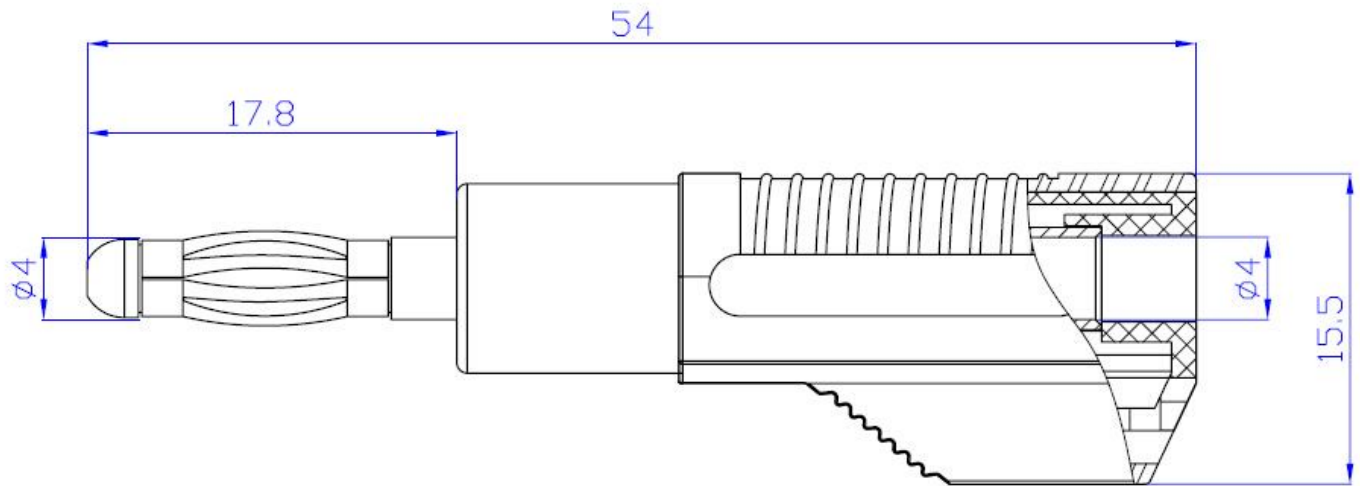
SKU: [CON1114](#)

Brief Data:

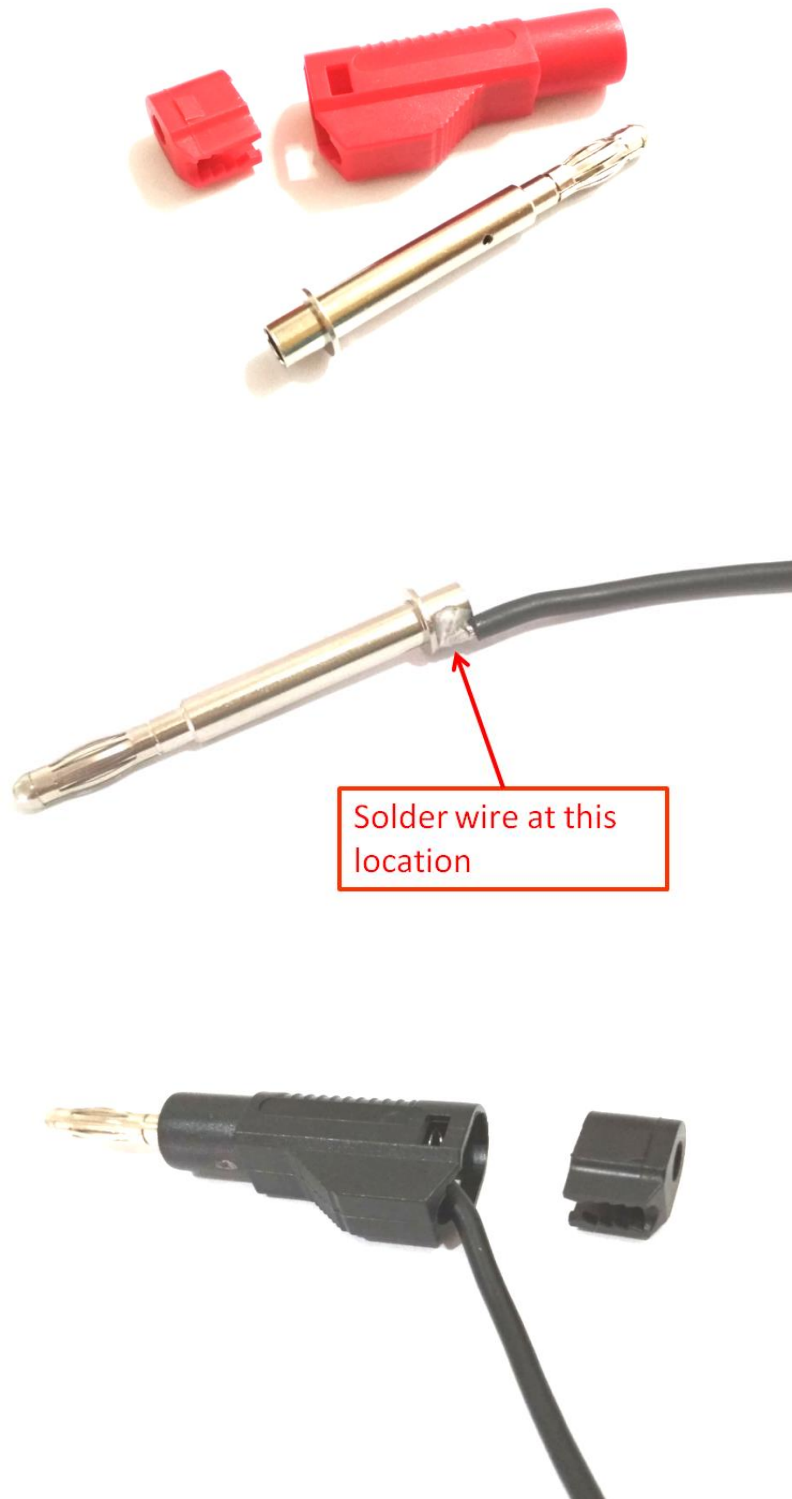
- Fits all standard 4mm Banana Jacks.
- Easy solder connection with wire between 14~18AWG.
- 12 Leaf Cage Spring.
- Material Housing: Nylon.
- Contact: Brass and Beryllium Copper.
- Gender: Male.
- Termination Method: Solder.
- Voltage Rating: 30Vdc/60Vdc
- Current Rating: 32A Max.
- Conductor Surface: Brass Nickel Plated.

Mechanical Dimension:

Unit: mm



Fixing Guide:



Push the Pin to the housing and snap on the cover.



Handsontec.com

We have the parts for your ideas

HandsOn Technology provides a multimedia and interactive platform for everyone interested in electronics. From beginner to diehard, from student to lecturer. Information, education, inspiration and entertainment. Analog and digital, practical and theoretical; software and hardware.



open source
hardware

HandsOn Technology support Open Source Hardware (OSHW) Development Platform.

Learn : Design : Share

handsontec.com



The Face behind our product quality...

In a world of constant change and continuous technological development, a new or replacement product is never far away – and they all need to be tested.

Many vendors simply import and sell without checks and this cannot be the ultimate interests of anyone, particularly the customer. Every part sell on Handsotec is fully tested. So when buying from Handsotec products range, you can be confident you're getting outstanding quality and value.

We keep adding the new parts so that you can get rolling on your next project.



www.handsontec.com

[Breakout Boards & Modules](#)



[Connectors](#)



www.handsontec.com

[Electro-Mechanical Parts](#)



[Engineering Material](#)



www.handsontec.com

[Mechanical Hardware](#)



[Electronics Components](#)

P



www.handsontec.com

[Power Supply](#)



[Arduino Board & Shield](#)

[Tools & Accessory](#)



www.handsontec.com

[Tools & Accessory](#)