



## 2.54mm 0.1" Pitch Dupont Connector Housing

This cable terminal housing kit are exactly what you need to connect common 0.1" header devices together. Sometimes these connectors are called "Berg" or "Dupont" or "Molex" - they're quite generic! This housing to be used together with female or male pin to complete the wire-to-board jumper connection.



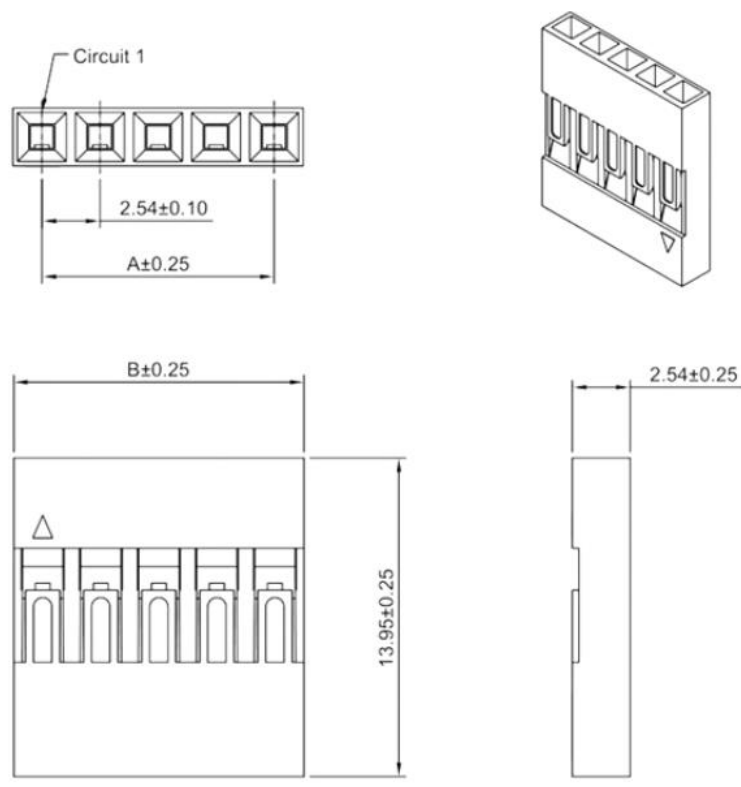
**SKU:** [CON1247](#)

### **Brief Data:**

- Pitch: 2.54mm.
- Housing for Male/Female Terminal Pin.
- Number of Pins: 1~10 Pins.
- Type of Row: Single-Row.
- Body Orientation: Straight.
- Housing Length: 14mm.
- Housing Width: 2.54mm.

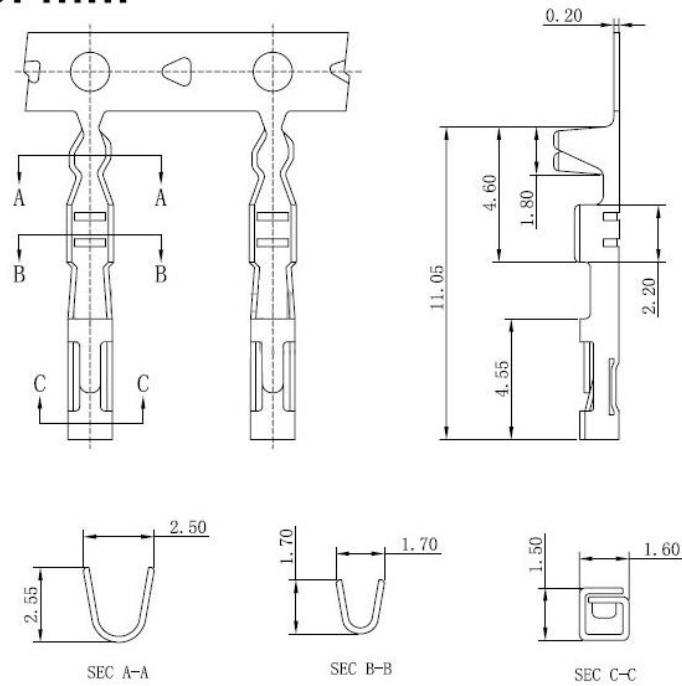
**Mechanical Dimension:**

**Unit: mm.**



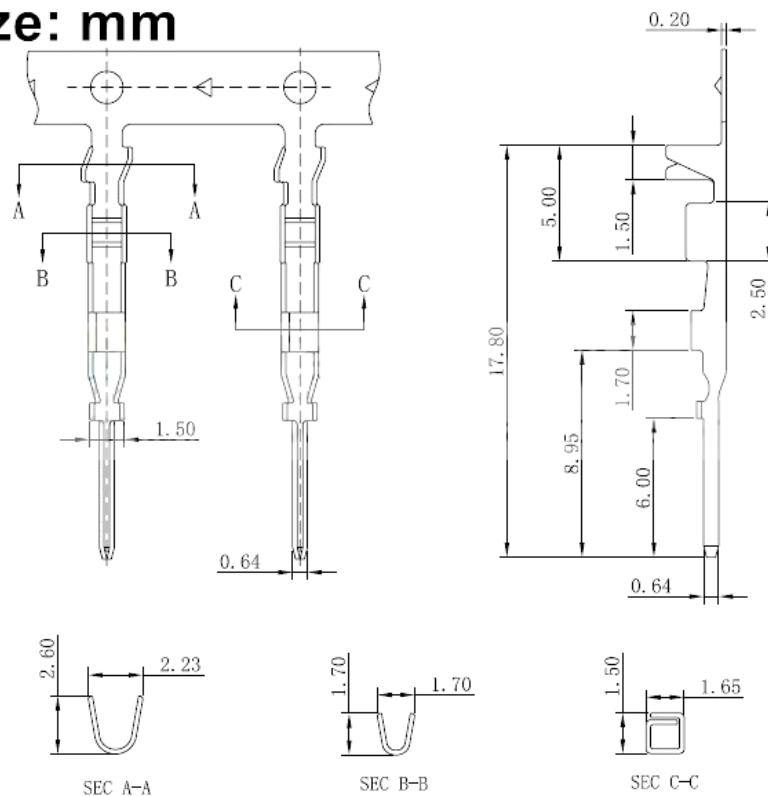
## Terminal Pins:

Size: mm



### Dupont Terminal - Female

Size: mm



### Dupont Terminal - Male



# Handsontec.com

**We have the parts for your ideas**

---

HandsOn Technology provides a multimedia and interactive platform for everyone interested in electronics. From beginner to diehard, from student to lecturer. Information, education, inspiration and entertainment. Analog and digital, practical and theoretical; software and hardware.



open source  
hardware

HandsOn Technology support Open Source Hardware (OSHW) Development Platform.

*Learn : Design : Share*

*handsontec.com*



**The Face behind our product quality...**

**In a world of constant change and continuous technological development, a new or replacement product is never far away – and they all need to be tested.**

**Many vendors simply import and sell without checks and this cannot be the ultimate interests of anyone, particularly the customer. Every part sell on Handsotec is fully tested. So when buying from Handsotec products range, you can be confident you're getting outstanding quality and value.**

**We keep adding the new parts so that you can get rolling on your next project.**



[www.handsontec.com](http://www.handsontec.com)

[Breakout Boards & Modules](#)



[Connectors](#)



[www.handsontec.com](http://www.handsontec.com)

[Electro-Mechanical Parts](#)



[Engineering Material](#)



[www.handsontec.com](http://www.handsontec.com)

[Mechanical Hardware](#)



[Electronics Components](#)

P



[www.handsontec.com](http://www.handsontec.com)

[Power Supply](#)



[Arduino Board & Shield](#)

Tools & Accessory



[www.handsontec.com](http://www.handsontec.com)

[Tools & Accessory](#)