



## GX16 Bulkhead Aviation Connector Cable-to-Cable

Bulkhead connector is a term used to define a mounting style of connectors. These devices are designed to be used in Male/Female matching pair for wire to wire connection. These connectors are a great way to connect stepper motors and other devices with multi-wires to your custom control case.



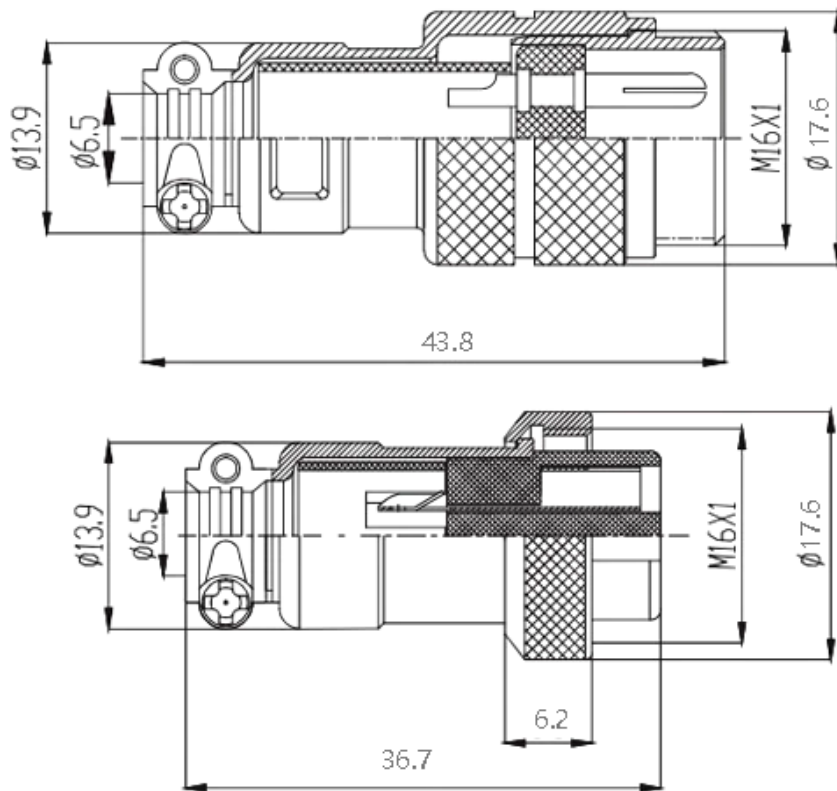
**SKU: [CON1276](#)**

### **Brief Data:**

- Part No: GX16-xx.
- Connector Configuration: Wire to Wire.
- Insulation Material: Bakelite.
- Contact Material: Copper(silver plated)
- Termination: Solder.
- Cable diameter:  $\leq \phi 5.0\text{mm}$ .
- Number of contacts: 2~10-Pole.
- Rated current/voltage: 5A@125V
- Operation limit voltage: 200Vrms AC.
- Withstanding Voltage minute: 1500Vrms AC.
- Insulation Resistance: 1500 M $\Omega$  Min.
- Contact Resistance: 5 M $\Omega$  Max @ 1A.
- Solder Cup Aperture:  $\phi 0.8\text{ mm}$ .

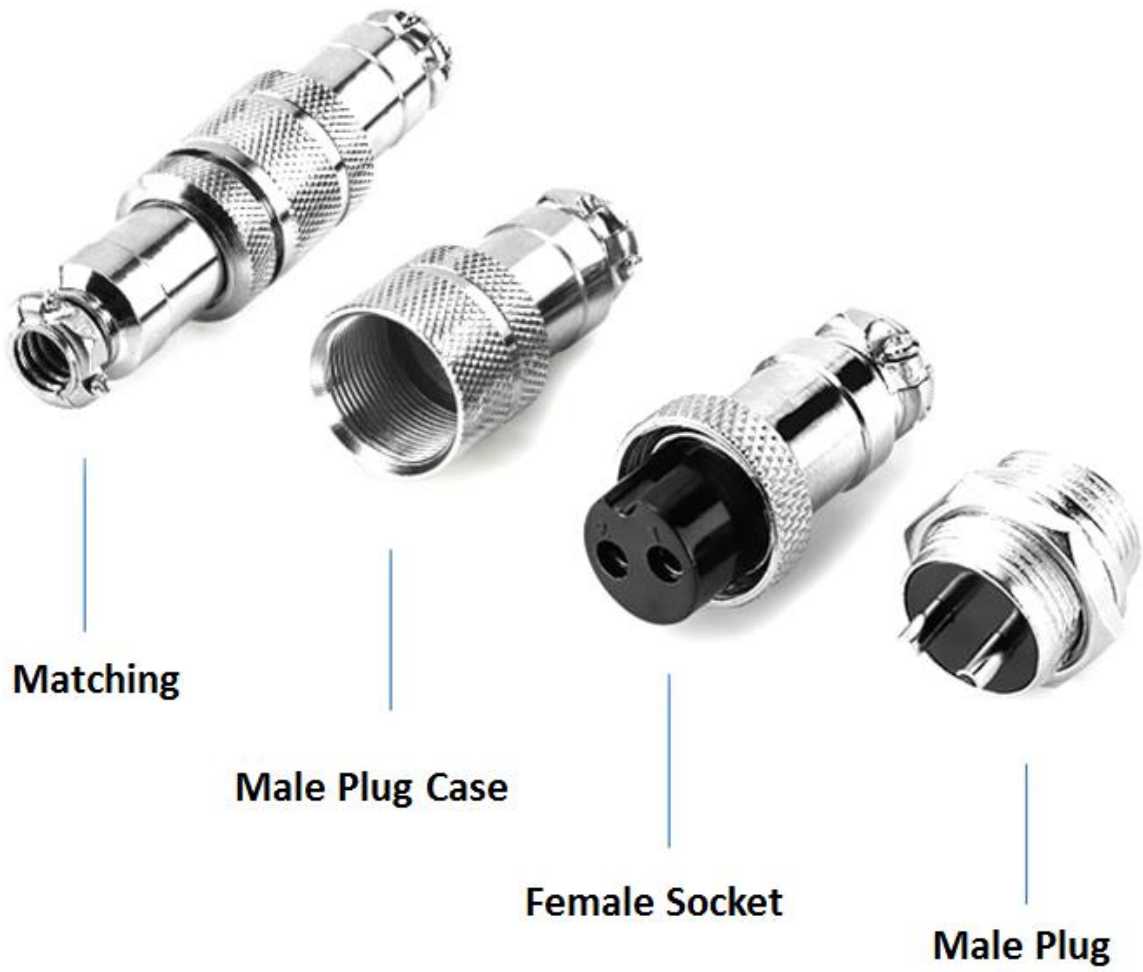
## **Mechanical Dimension:**

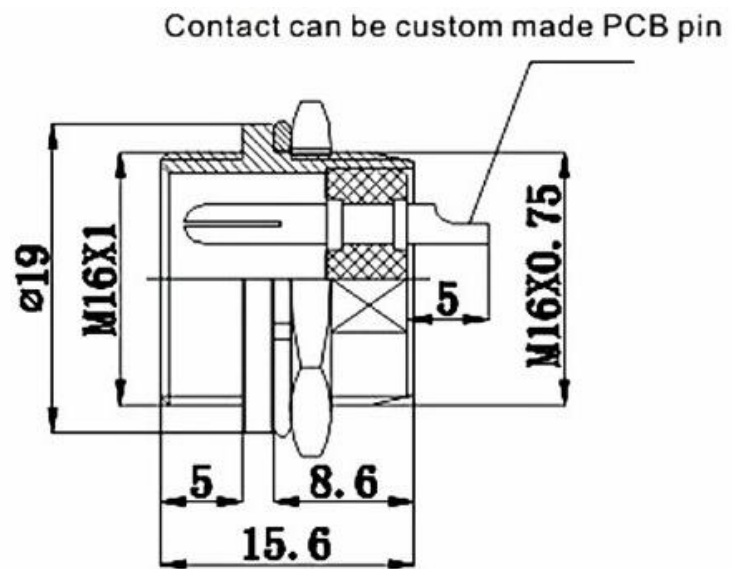
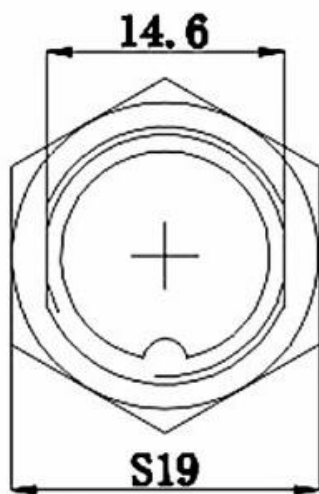
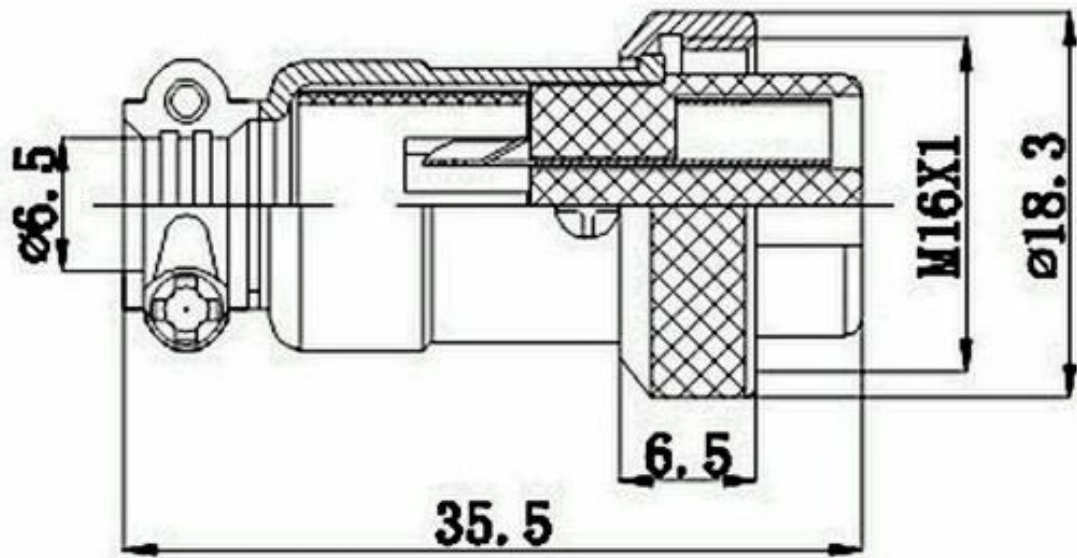
Unit: mm.



| GX16                                     | 2                   | 3                   | 4                   | 5                   | 6                   | 7                   | 8                   | 9                   | 10                   |
|--|---------------------|---------------------|---------------------|---------------------|---------------------|---------------------|---------------------|---------------------|----------------------|
| Contact number (cores)                   |                     |                     |                     |                     |                     |                     |                     |                     |                      |
| Contact dia                              | $\phi 2 \times 2.5$ | $\phi 3 \times 2.5$ | $\phi 4 \times 2.5$ | $\phi 5 \times 2.0$ | $\phi 6 \times 1.2$ | $\phi 7 \times 1.2$ | $\phi 8 \times 1.2$ | $\phi 9 \times 1.2$ | $\phi 10 \times 1.2$ |
| Rated current A                          | 7A                  | 7A                  | 5A                  | 5A                  | 4A                  | 4A                  | 4A                  | 4A                  | 4A                   |
| Rated/Pulse voltage (AC.V)               | 125V                | 125V                | 125V                | 125V                | 125V                | 125V                | 125V                | 125V                | 125V                 |
| Insulation/Contact Resistance M $\Omega$ | 1.5/1500            | 1.5/1500            | 1.5/1500            | 2.0/1500            | 5.0/1500            | 5.0/1500            | 5.0/1500            | 5.0/1500            | 5.0/1500             |

### 3 Elements Part Connector:





**Application Examples:**



**GX12, GX16, GX20, GX25**





# Handsontec.com

**We have the parts for your ideas**

---

HandsOn Technology provides a multimedia and interactive platform for everyone interested in electronics. From beginner to diehard, from student to lecturer. Information, education, inspiration and entertainment. Analog and digital, practical and theoretical; software and hardware.



open source  
hardware

HandsOn Technology support Open Source Hardware (OSHW) Development Platform.

*Learn : Design : Share*

*handsontec.com*





## The Face behind our product quality...

In a world of constant change and continuous technological development, a new or replacement product is never far away – and they all need to be tested.

Many vendors simply import and sell without checks and this cannot be the ultimate interests of anyone, particularly the customer. Every part sell on Handsotec is fully tested. So when buying from Handsotec products range, you can be confident you're getting outstanding quality and value.

We keep adding the new parts so that you can get rolling on your next project.



[www.handsontec.com](http://www.handsontec.com)

[Breakout Boards & Modules](#)



[Connectors](#)



[www.handsontec.com](http://www.handsontec.com)

[Electro-Mechanical Parts](#)



[Engineering Material](#)



[www.handsontec.com](http://www.handsontec.com)

[Mechanical Hardware](#)



[Electronics Components](#)

P



[www.handsontec.com](http://www.handsontec.com)

[Power Supply](#)



[Arduino Board & Shield](#)

Tools & Accessory



[www.handsontec.com](http://www.handsontec.com)

[Tools & Accessory](#)