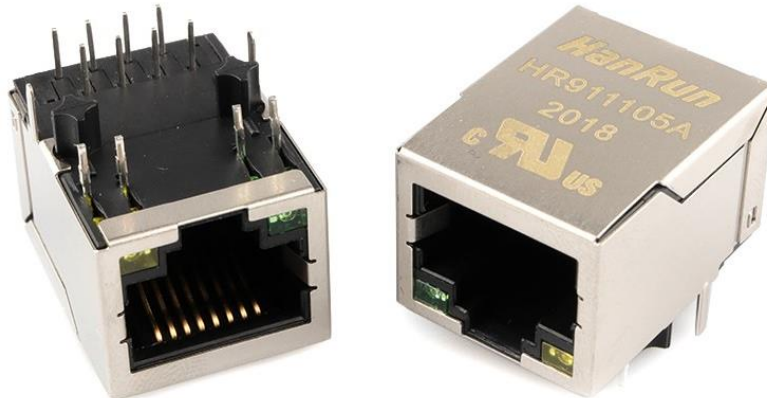




Data Specs

HR911105A RJ45 Socket with Magnetic and LED Indicator

HR911105A - Single Port RJ45 Connector with Integrated Magnetics and LEDs. RJ45 standard connector for network related hardware applications. Designed for Network Interface Card Application. Offering horizontal orientations with through-hole mounting styles, these RJ45 magnetic jacks carry speeds of 10/100 Base-T.



SKU: [CON1077](#)

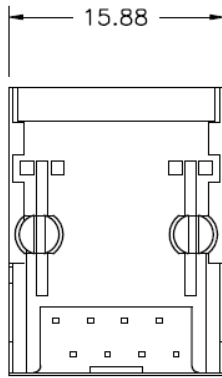
Brief Data:

- Gender: Female Socket.
- Design for network Interface card application
- Gender: Female Socket.
- Part No: HR911105A.
- Meet IEEE802.3 and IEEE802.3ab Requirement.
- 1500Vrms minimum Isolation.
- 350uH Minimum OCL with 8 mA bias current.
- Built-In LED Indicator.
- Speeds of 10/100 Base-T.
- High performance for maximum EMI suppression.
- Built-In magnetic transformer for less PCB space.
- Contact Material: Phosphor Bronze.

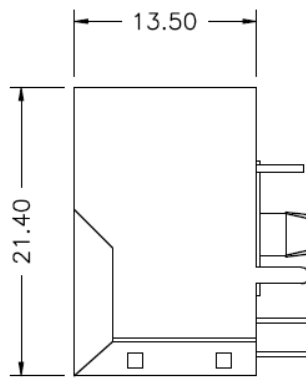
Mechanical Dimension:

Unit: mm

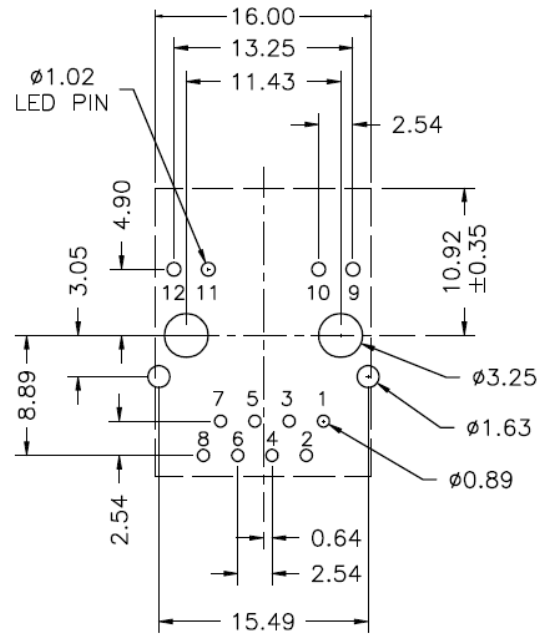
Mechanical Dimensions:



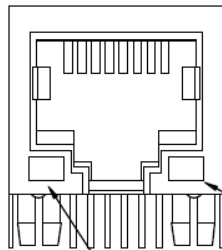
(Bottom View)



(Side View)



(Comp Side View)



(Front View)

Left LED
Green LED

Right LED
Yellow LED

Electrical Specification:

Electrical Specification @25°C

Isolation: 1500Vrms (UTP Side to Chip Side)

OCL: 350uH Minimum @100KHz 100mV with 8mADC

Insertion Loss: -1.0dB Maximum @300KHz ~ 100MHz

Return Loss: -20dB Minimum @1MHz ~ 10MHz

-16dB Minimum @10MHz ~ 30MHz

-12dB Minimum @30MHz ~ 60MHz

-10dB Minimum @60MHz ~ 80MHz

Common Mode Rejection: -30dB Minimum @1MHz ~ 50MHz

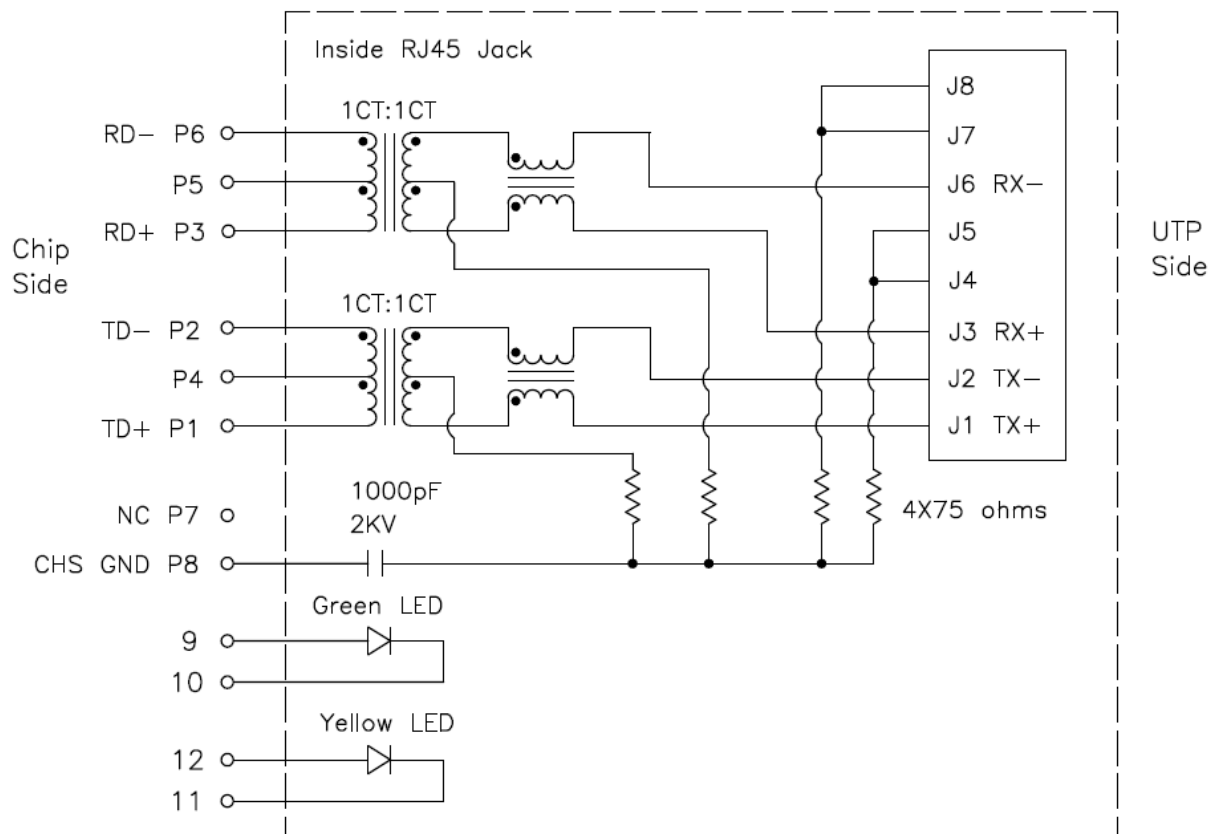
-20dB Minimum @50MHz ~ 150MHz

Crosstalk: -40dB Minimum @1MHz ~ 30MHz

-35dB Minimum @30MHz ~ 60MHz

-30dB Minimum @60MHz ~ 100MHz

Schematics



Notes: Connect CHS GND to PCB Ground

Web Resources:

- <https://www.etechnog.com/2022/04/ethernet-cable-wiring-diagram-color-code.html>
- <https://www.showmecables.com/blog/post/rj45-pinout>



Handsontec.com

We have the parts for your ideas

HandsOn Technology provides a multimedia and interactive platform for everyone interested in electronics. From beginner to diehard, from student to lecturer. Information, education, inspiration and entertainment. Analog and digital, practical and theoretical; software and hardware.



open source
hardware

HandsOn Technology support Open Source Hardware (OSHW) Development Platform.

Learn : Design : Share

handsontec.com



The Face behind our product quality...

In a world of constant change and continuous technological development, a new or replacement product is never far away – and they all need to be tested.

Many vendors simply import and sell without checks and this cannot be the ultimate interests of anyone, particularly the customer. Every part sell on Handsotec is fully tested. So when buying from Handsotec products range, you can be confident you're getting outstanding quality and value.

We keep adding the new parts so that you can get rolling on your next project.



www.handsontec.com

[Breakout Boards & Modules](#)



[Connectors](#)



www.handsontec.com

[Electro-Mechanical Parts](#)



www.handsontec.com

[Engineering Material](#)



www.handsontec.com

[Mechanical Hardware](#)



[Electronics Components](#)

P



www.handsontec.com

[Power Supply](#)



[Arduino Board & Shield](#)

[Tools & Accessory](#)



www.handsontec.com

[Tools & Accessory](#)