



## SV1.25 Insulated Crimp Spade Cable Connector

HT range of insulated crimp spade terminals made from copper with a tin plating. These spade connectors have vinyl or nylon insulation with a flared design for easy wire insertion. The insulation of these crimp spade terminals is colour coded to correspond with the wire size they are used with. All models are highly reliable and excellent quality.



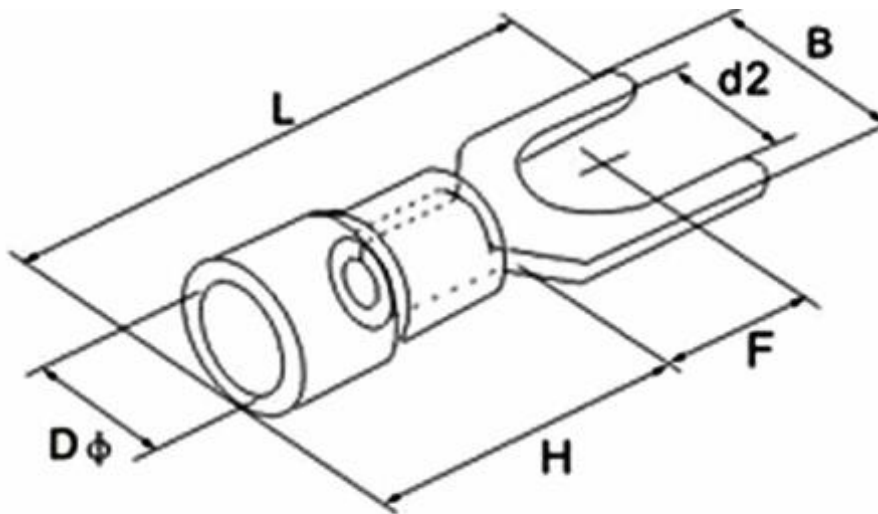
**SKU: [CON1249](#)**

### **Brief Data:**

- Insulation: Insulated.
- Width: 6.4mm.
- Insulation Material: Vinyl.
- Cable Area Size: (0.5~1.5)mm<sup>2</sup>.
- Cable AWG Size: (16~22)AWG.
- Stud Size: M4.
- Color: Black/Red/Blue.
- Contact Plating: Tin.
- Overall Length: 20mm.
- Contact Material: Copper.
- Thickness: 0.45mm.

## Mechanical Dimension:

Unit: mm



Cable size: 0.5~1.5mm(A.W.G.22~16) Max current:  $I_{max}=19A$  Material:purple copper

ITEM NO	USA screw	screw dia.	Dimension(mm)				
			B	L	F	H	DΦ
SV 1.25-3	#4	3.2	5.7	21.2	6.5	10.0	4.3
SV 1.25-4S	#8	4.3	6.4	21.2	6.5		

Cable size: 1.5~2.5mm(A.W.G.16~14) Max current:  $I_{max}=27A$  Material:purple copper

ITEM NO	USA screw	screw dia.	Dimension(mm)				
			B	L	F	H	DΦ
SV 2-3	#4	3.2	5.7	21.2	6.5	10.0	4.9
SV 2-4S	#8	4.3	6.4	21.2	6.5		

Cable size: 2.5~4mm(A.W.G.14~12) Max current:  $I_{max}=37A$  Material:purple copper

ITEM NO	USA screw	screw dia.	Dimension(mm)				
			B	L	F	H	DΦ
SV 3.5-5	#10	5.3	8.0	24.8	7.0	13.0	6.2
SV 3.5-6	1/4	6.4	12.0	28.0	12.1		

Cable size: 4~6mm(A.W.G.12~10) Max current:  $I_{max}=48A$  Material:purple copper

ITEM NO	USA screw	screw dia.	Dimension(mm)				
			B	L	F	H	DΦ
SV 5.5-4	#8	4.3	7.0	25.0	7.5	13.0	6.7
SV 5.5-5	#10	5.3	9.0	25.2	7.5		
SV 5.5-6S	1/4	6.4	9.0	25.2	7.5		



# Handsontec.com

**We have the parts for your ideas**

---

HandsOn Technology provides a multimedia and interactive platform for everyone interested in electronics. From beginner to diehard, from student to lecturer. Information, education, inspiration and entertainment. Analog and digital, practical and theoretical; software and hardware.



open source  
hardware

HandsOn Technology support Open Source Hardware (OSHW) Development Platform.

*Learn : Design : Share*

*handsontec.com*



## The Face behind our product quality...

In a world of constant change and continuous technological development, a new or replacement product is never far away – and they all need to be tested.

Many vendors simply import and sell without checks and this cannot be the ultimate interests of anyone, particularly the customer. Every part sell on Handsotec is fully tested. So when buying from Handsotec products range, you can be confident you're getting outstanding quality and value.

We keep adding the new parts so that you can get rolling on your next project.



[www.handsontec.com](http://www.handsontec.com)

[Breakout Boards & Modules](#)



[Connectors](#)



[www.handsontec.com](http://www.handsontec.com)

[Electro-Mechanical Parts](#)



[www.handsontec.com](http://www.handsontec.com)

[Engineering Material](#)



[www.handsontec.com](http://www.handsontec.com)

[Mechanical Hardware](#)



[Electronics Components](#)

P



[www.handsontec.com](http://www.handsontec.com)

[Power Supply](#)



[Arduino Board & Shield](#)

[Tools & Accessory](#)



[www.handsontec.com](http://www.handsontec.com)

[Tools & Accessory](#)