



TB-150x Series Barrier Strips Terminal Block

Barrier strips are screw-type electrical connectors that allow more than one circuit to connect to another circuit. Wires are clamped down to a metal part by tightening of a screw. Multiple screw terminals are arranged such that the metal strips are separated by a barrier or insulating block.



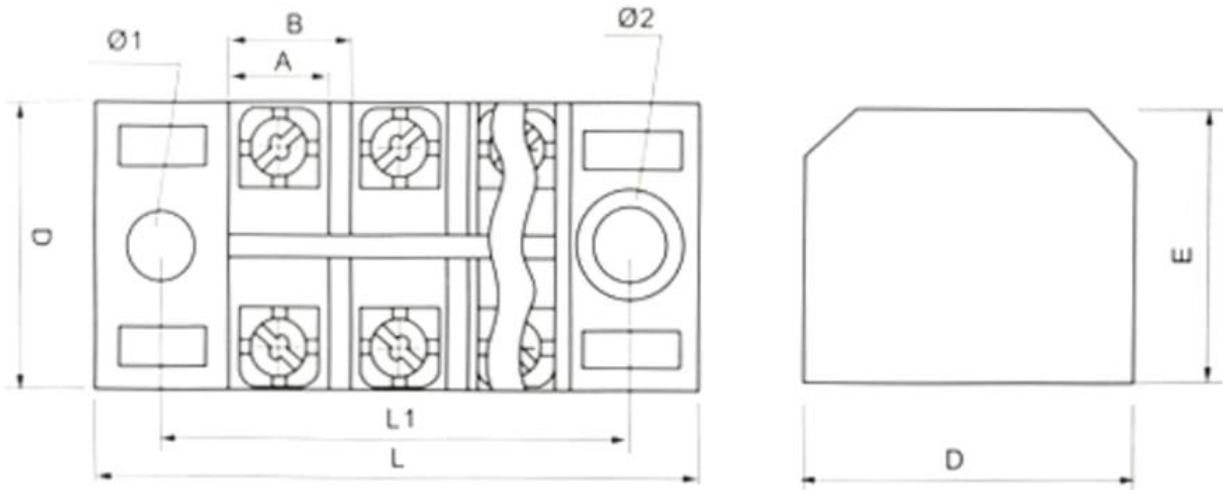
SKU: CON1314

Brief Data:

- Model: TB150X Series.
- Connection Configuration: 1-In to 1-Out.
- Pitch: 9.0mm.
- Poles: 2~10P.
- Wire Cross Area: (0.5~15) mm².
- Wire Gauge: 14-AWG.
- Housing Color: Black.
- Rated current: 15A.
- Rated Voltage: 600V.
- Terminal Screw: M3.
- Mounting Hole Size: M4.
- Mounting Method: Panel Mount.
- Conductor Material: Brass Nickel Plated.

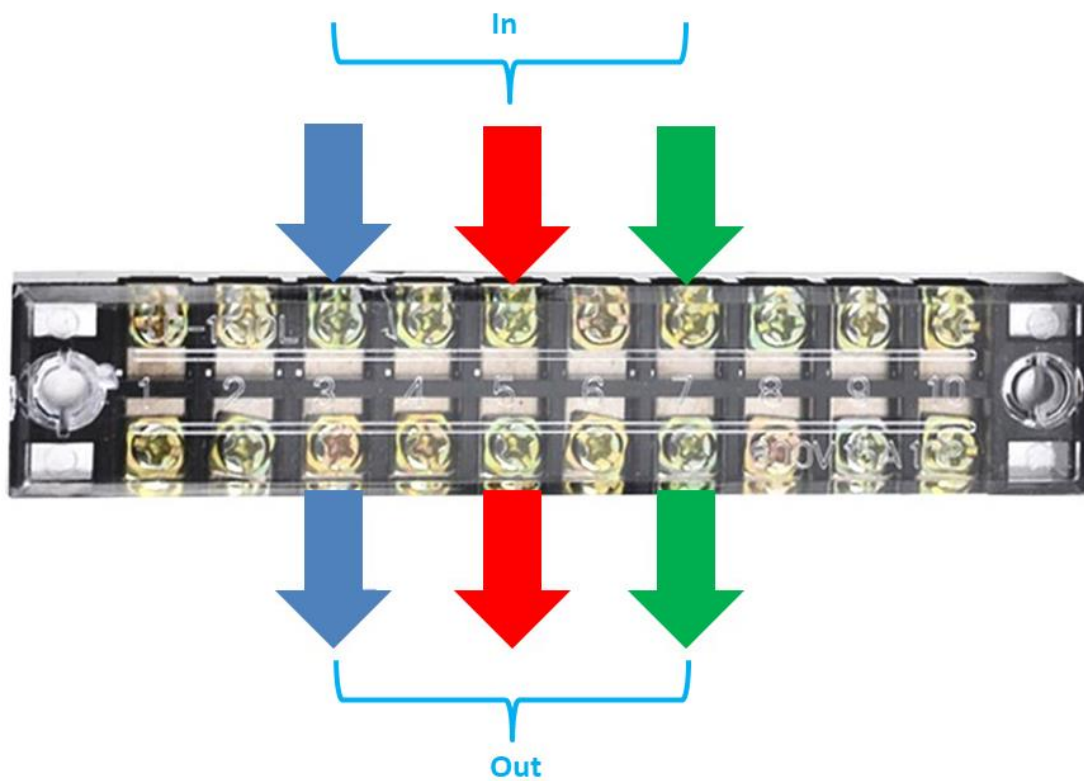
Mechanical Dimension:

Unit: mm



Part No	D	E	L	L1	A	B	$\varnothing 1/\varnothing 2$	SKU
TB-1503	22	17	46	34	7.5	9	5/8	CON1314

Connection Configuration:





Handsontec.com

We have the parts for your ideas

HandsOn Technology provides a multimedia and interactive platform for everyone interested in electronics. From beginner to diehard, from student to lecturer. Information, education, inspiration and entertainment. Analog and digital, practical and theoretical; software and hardware.



open source
hardware

HandsOn Technology support Open Source Hardware (OSHW) Development Platform.

Learn : Design : Share

handsontec.com



The Face behind our product quality...

In a world of constant change and continuous technological development, a new or replacement product is never far away – and they all need to be tested.

Many vendors simply import and sell without checks and this cannot be the ultimate interests of anyone, particularly the customer. Every part sell on Handsotec is fully tested. So when buying from Handsotec products range, you can be confident you're getting outstanding quality and value.

We keep adding the new parts so that you can get rolling on your next project.



www.handsontec.com

[Breakout Boards & Modules](#)



[Connectors](#)



www.handsontec.com

[Electro-Mechanical Parts](#)



www.handsontec.com

[Engineering Material](#)



www.handsontec.com

[Mechanical Hardware](#)



[Electronics Components](#)

P



www.handsontec.com

[Power Supply](#)



[Arduino Board & Shield](#)

[Tools & Accessory](#)



www.handsontec.com

[Tools & Accessory](#)