



Data Specs

XH 2.5mm Disconnectable Crimp Style Connector

This disconnectable crimp style wire-to-board connectors that perform reliably in high-density, small current applications.



SKU: [CON-1100](#)

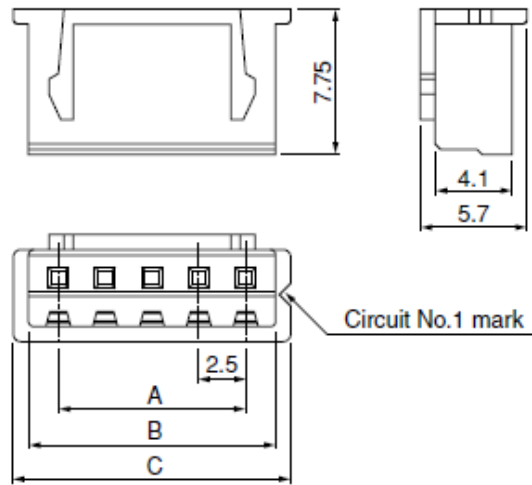
Brief Data:

- Current rating: 3A AC/DC.
- Voltage ration: 250V AC/DC.
- Temperature range: -25°C to +85 °C
- Contact resistance: 10mΩ Max.
- Insulation resistance: 1000MΩ Min
- Withstand voltage: 1000VAC@minute.
- Material: Phosphoric copper Tin-plated.
- Color: White
- Applicable wire sizes: AWG 30~22.
- Lock mechanism.
- Pitch: 2.54mm.
- Number of position: 2 ~10.

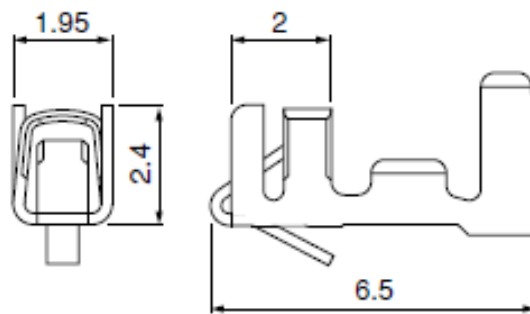
Mechanical Dimension:

Unit: mm

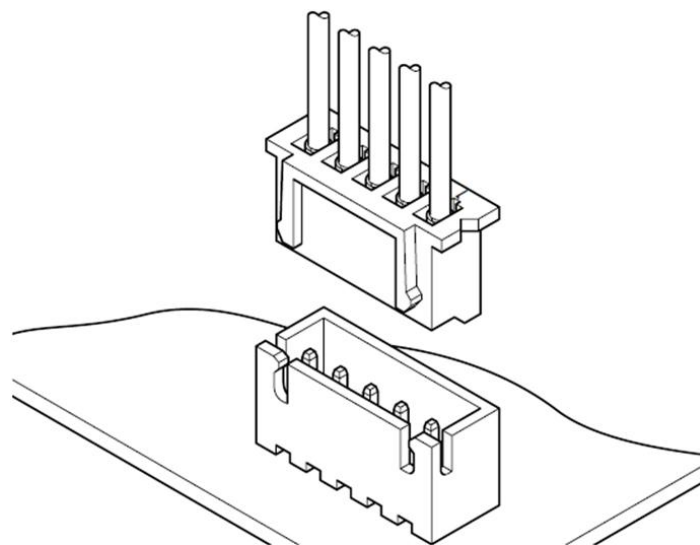
Housing:



Crimp Terminal:



Assmbly Diagram:





Handsontec.com

We have the parts for your ideas

HandsOn Technology provides a multimedia and interactive platform for everyone interested in electronics. From beginner to diehard, from student to lecturer. Information, education, inspiration and entertainment. Analog and digital, practical and theoretical; software and hardware.



open source
hardware

HandsOn Technology support Open Source Hardware (OSHW) Development Platform.

Learn : Design : Share

www.handsontec.com

The Face behind our product quality...

In a world of constant change and continuous technological development, a new or replacement product is never far away – and they all need to be tested.

Many vendors simply import and sell without checks and this cannot be the ultimate interests of anyone, particularly the customer. Every part sell on Handsontec is fully tested. So when buying from Handsontec products range, you can be confident you're getting outstanding quality and value.

We keep adding the new parts so that you can get rolling on your next project.



www.handsontec.com

[Breakout Boards & Modules](#)



[Connectors](#)



www.handsontec.com

[Electro-Mechanical Parts](#)



www.handsontec.com

[Engineering Material](#)



www.handsontec.com

[Mechanical Hardware](#)



[Electronics Components](#)

P



www.handsontec.com

[Power Supply](#)



[Arduino Board & Shield](#)

Tools & Accessory



www.handsontec.com

[Tools & Accessory](#)