



Data Specs

## Ø8mm Indicator Lamp - Panel Mount

Ø8mm Sub-Miniature Neon Indicator Lamps. Sub-miniature neon lamps for wiring directly into equipment. Neon lamps are recommended for 110 volt AC, 220 volt AC, and DC applications in excess of 90 volts.



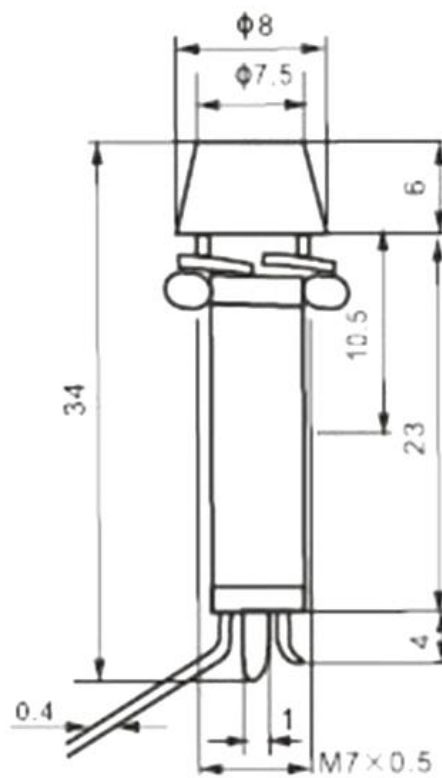
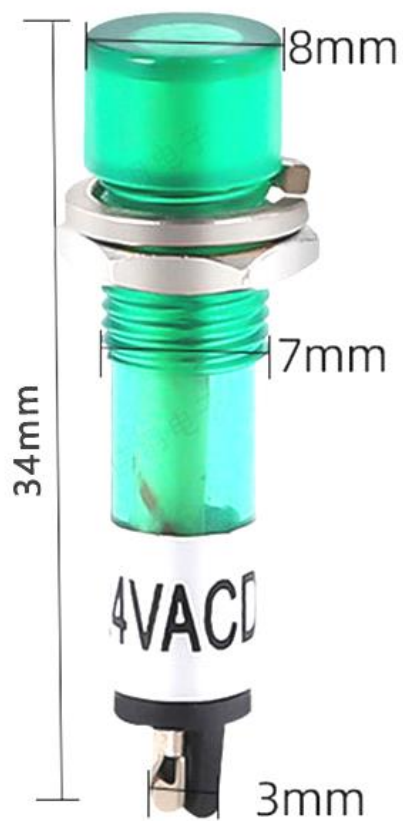
**SKU: DSP1242**

### Brief Data:

- Lamp Base: Solder Terminal.
- Lamp Head: Ø8mm.
- Panel Cut-Out: Ø7mm.
- Length: 34mm.
- Light Color: Red, Green & Yellow.
- Gas Type: Neon Gas Filled.
- Voltage Rating: (100~250) VAC.
- Current Rating: 600µA.
- Life Hours: 20,000H.

**Mechanical Dimension:**

**Unit: mm**





# Handsontec.com

**We have the parts for your ideas**

---

HandsOn Technology provides a multimedia and interactive platform for everyone interested in electronics. From beginner to diehard, from student to lecturer. Information, education, inspiration and entertainment. Analog and digital, practical and theoretical; software and hardware.



open source  
hardware

HandsOn Technology support Open Source Hardware (OSHW) Development Platform.

*Learn : Design : Share*

*handsontec.com*



**The Face behind our product quality...**

**In a world of constant change and continuous technological development, a new or replacement product is never far away – and they all need to be tested.**

**Many vendors simply import and sell without checks and this cannot be the ultimate interests of anyone, particularly the customer. Every part sell on Handsotec is fully tested. So when buying from Handsotec products range, you can be confident you're getting outstanding quality and value.**

**We keep adding the new parts so that you can get rolling on your next project.**



[www.handsontec.com](http://www.handsontec.com)

[Breakout Boards & Modules](#)



[Connectors](#)



[www.handsontec.com](http://www.handsontec.com)

[Electro-Mechanical Parts](#)



[Engineering Material](#)



[www.handsontec.com](http://www.handsontec.com)

[Mechanical Hardware](#)



[Electronics Components](#)

P



[www.handsontec.com](http://www.handsontec.com)

[Power Supply](#)



[Arduino Board & Shield](#)

[Tools & Accessory](#)



[www.handsontec.com](http://www.handsontec.com)

[Tools & Accessory](#)