



## Data Specs

## AD16-16C LED Indicator Pilot Lamp

AD16-16C series indicators used pure-color LED luminescent chip as light source with long service life and low energy consumption. Pilot lights and LED indicator lights are indicating lights for machines or instruments and can also be built into switches. They can be used to indicate when a machine or industrial process has started or stopped. They provide solutions for a variety of requirements and are ideal for highly reliable visual indication. They can be found in: Automatic equipment, Telephones, Condition panels and Dashboard lights.



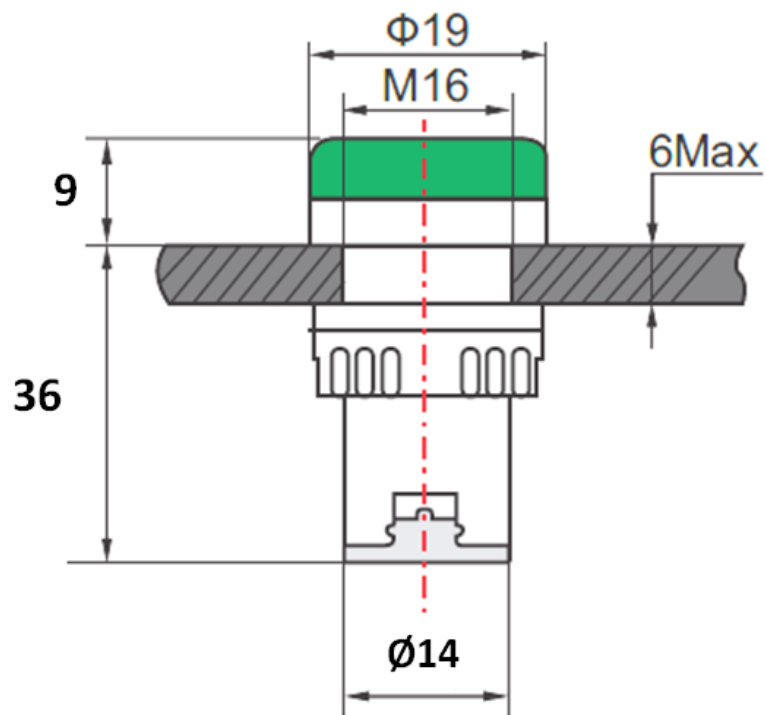
**SKU:** [DSP1191](#)

### **Brief Data:**

- LED Type: Red, Green.
- Luminous Intensity:  $>60\text{cd/m}^3$ .
- Terminal Type: Screw on.
- Operating Voltage: 220~230V DC/AC.
- Frequency (AC): 50~60Hz.
- Operating Current:  $<20\text{mA}$ .
- Continuous Operating Life:  $>30,000$ .
- Insulation Withstand: 2.5kVac, 1 minute.
- Panel Cut Out Diameter:  $\text{Ø}16\text{mm}$ .

**Mechanical Dimension:**

**Unit: mm**



**Construction:**



**Screw On Terminal**



**Chip-On-Board LED**



# Handsontec.com

*We have the parts for your ideas*

---

HandsOn Technology provides a multimedia and interactive platform for everyone interested in electronics. From beginner to diehard, from student to lecturer. Information, education, inspiration and entertainment. Analog and digital, practical and theoretical; software and hardware.



open source  
hardware

HandsOn Technology support Open Source Hardware (OSHW) Development Platform.

*Learn : Design : Share*

*handsontec.com*



## The Face behind our product quality...

In a world of constant change and continuous technological development, a new or replacement product is never far away – and they all need to be tested.

Many vendors simply import and sell without checks and this cannot be the ultimate interests of anyone, particularly the customer. Every part sold on Handsontec is fully tested. So when buying from Handsontec products range, you can be confident you're getting outstanding quality and value.

We keep adding the new parts so that you can get rolling on your next project.



[www.handsontec.com](http://www.handsontec.com)

[Breakout Boards & Modules](#)



[Connectors](#)



[www.handsontec.com](http://www.handsontec.com)

[Electro-Mechanical Parts](#)



[www.handsontec.com](http://www.handsontec.com)

[Engineering Material](#)



[www.handsontec.com](http://www.handsontec.com)

[Mechanical Hardware](#)



[Electronics Components](#)

P



[www.handsontec.com](http://www.handsontec.com)

[Power Supply](#)



[Arduino Board & Shield](#)

Tools & Accessory



[www.handsontec.com](http://www.handsontec.com)

[Tools & Accessory](#)