



Data Specs

## CNC&Woodworking Clamping Block

This clamping block is perfect for CNC precision work. This general-purpose clamping block is designed for use in machine shops, CNC router when work piece require clamping or positioning. For work holding in a professional workshop or hobbyist environment, this anodized aluminum alloy clamping block set is ideal tools. Ideal for metalworking, carpentry, makers and model work.



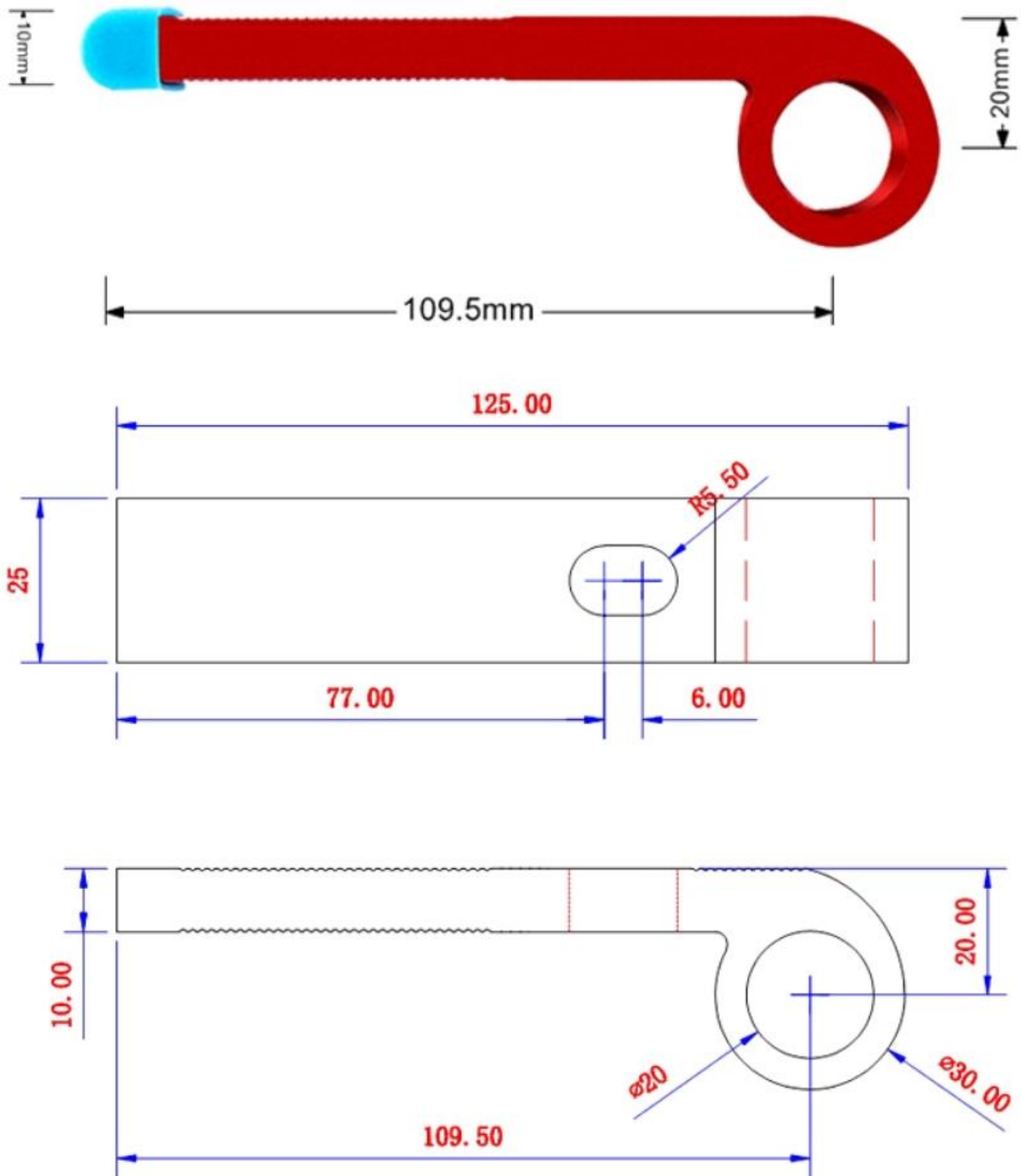
**SKU: [HTA1060](#)**

### **Bried Data:**

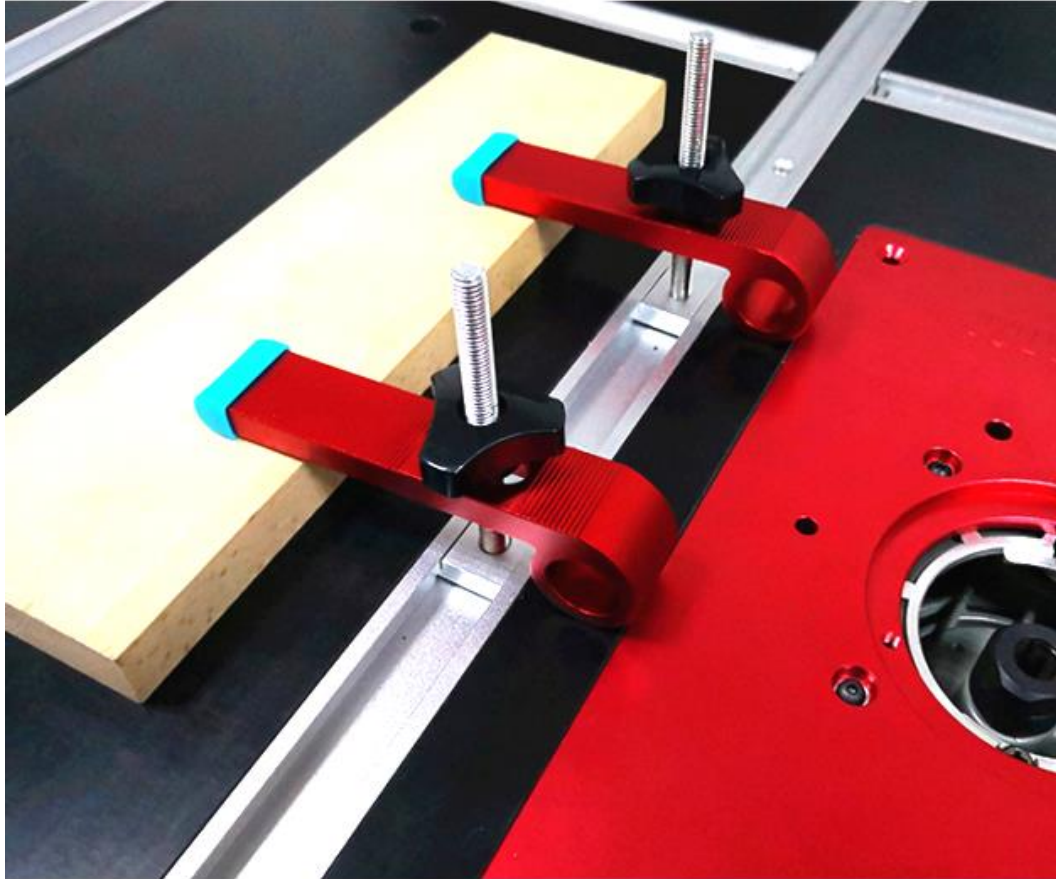
- Precision Hand Tool.
- Clamping: Screw Hand Tighten.
- Clamping Capacity: 31.1 mm, 39.6mm
- Material: Anodized Aluminum Alloy.
- Clamping Screw: M8x100.
- Width: 64mm
- Length: 70mm
- Height: 45mm
- Surface Finishing: Anodized Red.
- Weight: 100g.

**Mechanical Dimension:**

**Unit: mm**



**Application Example:**





# Handsontec.com

**We have the parts for your ideas**

---

HandsOn Technology provides a multimedia and interactive platform for everyone interested in electronics. From beginner to diehard, from student to lecturer. Information, education, inspiration and entertainment. Analog and digital, practical and theoretical; software and hardware.

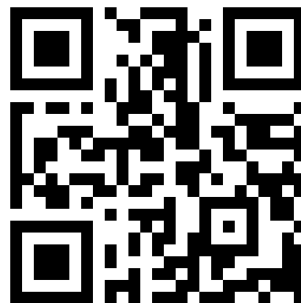


open source  
hardware

HandsOn Technology support Open Source Hardware (OSHW) Development Platform.

*Learn : Design : Share*

*handsontec.com*



## The Face behind our product quality...

In a world of constant change and continuous technological development, a new or replacement product is never far away – and they all need to be tested.

Many vendors simply import and sell without checks and this cannot be the ultimate interests of anyone, particularly the customer. Every part sell on Handsotec is fully tested. So when buying from Handsotec products range, you can be confident you're getting outstanding quality and value.

We keep adding the new parts so that you can get rolling on your next project.



[www.handsontec.com](http://www.handsontec.com)

[Breakout Boards & Modules](#)



[Connectors](#)



[www.handsontec.com](http://www.handsontec.com)

[Electro-Mechanical Parts](#)



[Engineering Material](#)



[www.handsontec.com](http://www.handsontec.com)

[Mechanical Hardware](#)



[Electronics Components](#)

P



[www.handsontec.com](http://www.handsontec.com)

[Power Supply](#)



[Arduino Board & Shield](#)

[Tools & Accessory](#)



[www.handsontec.com](http://www.handsontec.com)

[Tools & Accessory](#)