



Data Specs

## Tungsten Carbide Tipped Hole Saw

This range of tungsten carbide tipped hole saws are perfect for cutting clean and precise holes in a range of materials. The holes saw has a cutting depth up to 5mm and an arbor with Ø10mm diameter shank that allows the cutter to be easily attached to many chucks in drills, ensuring a safe and reliable connection for cutting. The holes saws also include an ejector spring that provides safe and easy removal of waste material after cutting is complete.



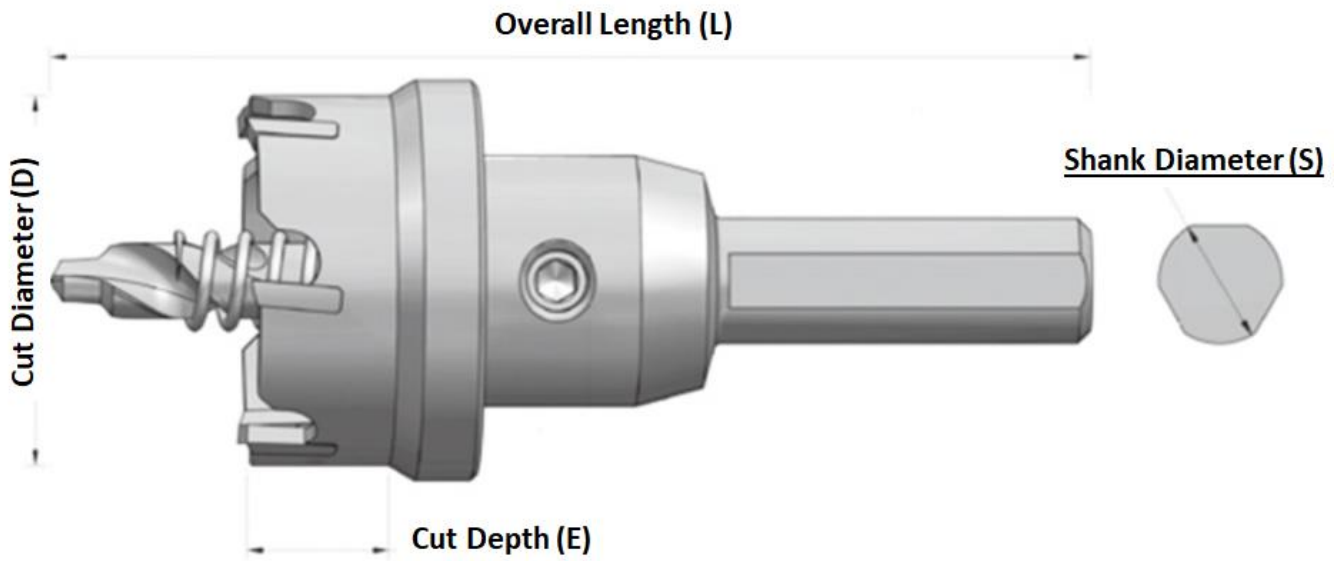
**SKU:** [HTA1054](#)

### **Bried Data:**

- Precision Hand Tool.
- Tool Type: Hole Saw.
- Cutting Diameter: (Ø16~Ø20.5) mm.
- Cut Depth: 5mm.
- Drill Bit Type: Core Drill Bit.
- Pilot Drill Bit Size: Ø5mm.
- Arbor Included: Yes.
- Material: Tungsten Carbide Tipped.
- Spring Eject.
- Shank Diameter: Ø10mm Triangle Anti-Slip.

**Mechanical Dimension:**

**Unit: mm**



<b>Model</b>	<b>D</b>	<b>E</b>	<b>L</b>	<b>S</b>	<b>SKU</b>
<b>Ø16x5</b>	<b>Ø16</b>	<b>5</b>	<b>83</b>	<b>Ø10</b>	<b>HTA1068</b>
<b>Ø28x5</b>	<b>Ø28</b>	<b>5</b>	<b>83</b>	<b>Ø10</b>	<b>HTA1067</b>
<b>Ø32x5</b>	<b>Ø32</b>	<b>5</b>	<b>83</b>	<b>Ø10</b>	<b>HTA1066</b>

## Drill Speed Setting:

切削参数推荐表 Recommendation list of cutting parameters

规格区间 Size extent ( mm )	被加工材料 Processed material					
	铝 aluminum ( r/min )	铜 copper ( r/min )	普通钢 ordinary steel ( r/min )	不锈钢 stainless steel ( r/min )	合金钢 alloy steel ( r/min )	非金属材料 non-metallic material ( r/min )
≤20	1500~1800	800~1000	700~1000	700~800	700~900	1500~1800
21~30	1500~1800	800~1000	700~800	400~600	600~700	1500~1800
31~40	1500~1800	800~1000	500~600	350~450	450~500	1500~1800
41~50	800~1000	600~800	400~500	250~400	300~400	1000~1500
51~60	600~850	400~600	300~400	200~300	200~300	800~1000
61~79	400~600	200~400	150~200	150~200	150~200	500~800
≥80	200~400	100~200	100~150	100~150	100~150	500~800



# Handsontec.com

**We have the parts for your ideas**

---

HandsOn Technology provides a multimedia and interactive platform for everyone interested in electronics. From beginner to diehard, from student to lecturer. Information, education, inspiration and entertainment. Analog and digital, practical and theoretical; software and hardware.

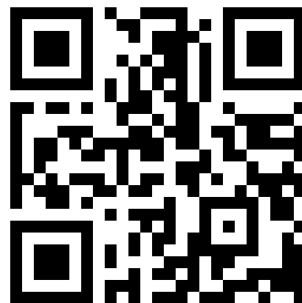


open source  
hardware

HandsOn Technology support Open Source Hardware (OSHW) Development Platform.

*Learn : Design : Share*

*handsontec.com*



**The Face behind our product quality...**

**In a world of constant change and continuous technological development, a new or replacement product is never far away – and they all need to be tested.**

**Many vendors simply import and sell without checks and this cannot be the ultimate interests of anyone, particularly the customer. Every part sell on Handsotec is fully tested. So when buying from Handsotec products range, you can be confident you're getting outstanding quality and value.**

**We keep adding the new parts so that you can get rolling on your next project.**



[www.handsontec.com](http://www.handsontec.com)

[Breakout Boards & Modules](#)



[Connectors](#)



[www.handsontec.com](http://www.handsontec.com)

[Electro-Mechanical Parts](#)



[www.handsontec.com](http://www.handsontec.com)

[Engineering Material](#)



[www.handsontec.com](http://www.handsontec.com)

[Mechanical Hardware](#)



[Electronics Components](#)

P



[www.handsontec.com](http://www.handsontec.com)

[Power Supply](#)



[Arduino Board & Shield](#)

[Tools & Accessory](#)



[www.handsontec.com](http://www.handsontec.com)

[Tools & Accessory](#)