



## KFL Series Self Align Shaft Holder - Horizontal

This is Pillow Block Self-Aligning shaft holder with bearings. This bearings shaft are insensitive to angular misalignment of the shaft relative to the housing (figure 1), which can be caused, for example, by shaft deflection. Self-aligning ball bearings can reduce noise and vibrations levels, for example, in fans.



SKU: [MCH1041](#)

### **Brief Data:**

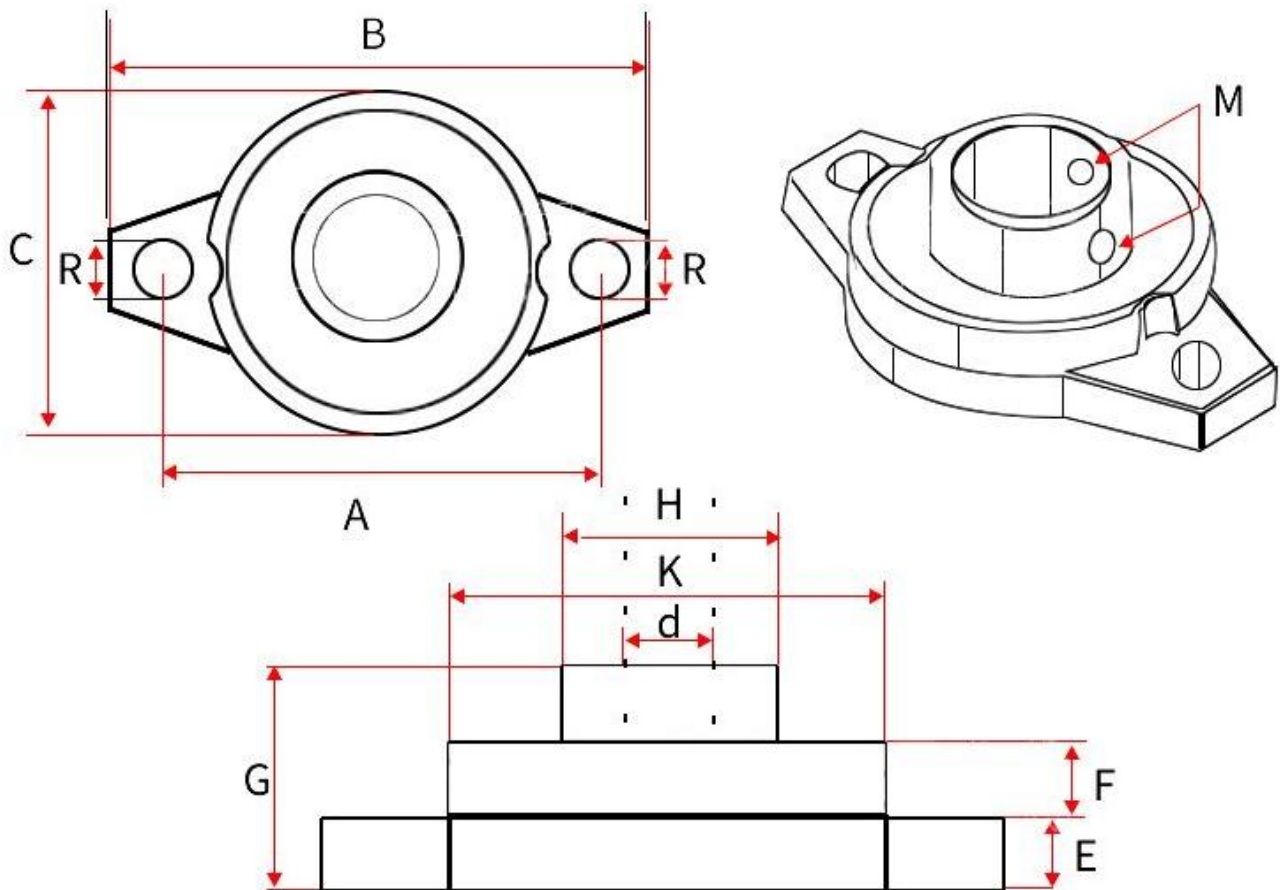
- Product Name: Pillow Block Bearing.
- Model: KFL000~08.
- Housing Material: Zinc Alloy.
- Bearing Material: Chrome Steel.
- Bearing Inner Diameter (ID): Ø8~10mm.
- Bearing Width: 10mm.
- Pillow Block Size: 45 x 25 x 10mm.
- Mount Hole Diameter: M5 Screw.
- Shaft Tightening: 2x M3 Set Screw.
- Net Weight: 27grams.

### **Application:**

- 3D Printer
- DIY CNC Machine & Robotics
- Linear Motion

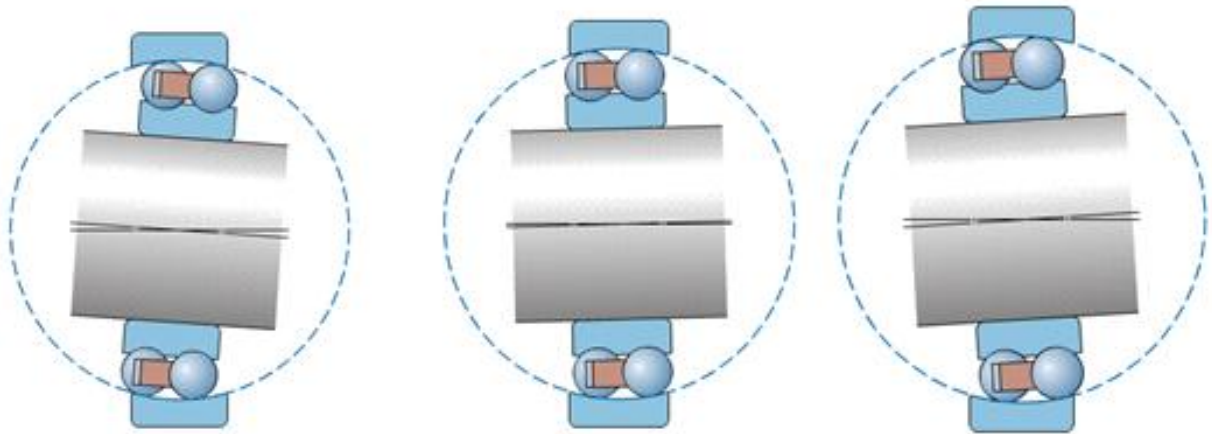
## Mechanical Dimension:

Unit: mm

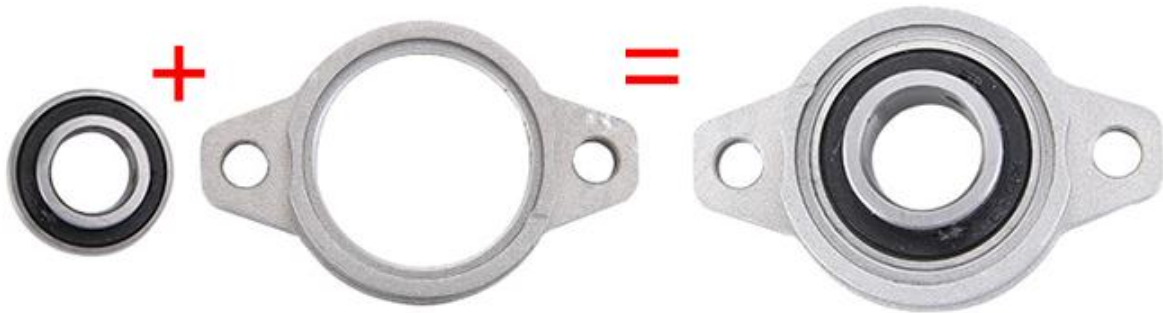


带座轴 承型号 Bearing type	内孔 (d)	外形尺寸 (mm)									螺丝 M	重量 weight(kg)
		A	R	C	K	H	G	F	E	B		
KFL08	8	37	4.8	27	26.5	12	16	4	4.5	29	M3*2	0.027
KFL000	10	45	7	36	34	14	15.5	6	5.5	35	M4*2	0.036
KFL001	12	48	7	38	35	16	16	6	5.5	38	M4*2	0.06
KFL002	15	53	7	42	39.5	20	18.6	6.5	6.5	43	M4*2	0.054
KFL003	17	56	7	46	44	23	19.5	7	7	47	M4*2	0.073
KFL004	20	71	10	55	53	27	23	8	8	55	M5*2	0.123
KFL005	25	75	10	60	58	32	24.5	8	8	62	M5*2	0.148
KFL006	30	85	13	70	66	30.5	27	9	9	70	M5*2	0.293

**Self Align Shaft Movement:**



**Figure 1**





# **Handsontec.com**

*We have the parts for your ideas*

---

HandsOn Technology provides a multimedia and interactive platform for everyone interested in electronics. From beginner to diehard, from student to lecturer. Information, education, inspiration and entertainment. Analog and digital, practical and theoretical; software and hardware.



open source  
hardware

HandsOn Technology support Open Source Hardware (OSHW) Development Platform.

*Learn : Design : Share*

*handsontec.com*



## The Face behind our product quality...

In a world of constant change and continuous technological development, a new or replacement product is never far away – and they all need to be tested.

Many vendors simply import and sell without checks and this cannot be the ultimate interests of anyone, particularly the customer. Every part sell on Handsotec is fully tested. So when buying from Handsotec products range, you can be confident you're getting outstanding quality and value.

We keep adding the new parts so that you can get rolling on your next project.



[www.handsontec.com](http://www.handsontec.com)

[Breakout Boards & Modules](#)



[Connectors](#)



[www.handsontec.com](http://www.handsontec.com)

[Electro-Mechanical Parts](#)



[Engineering Material](#)



[www.handsontec.com](http://www.handsontec.com)

[Mechanical Hardware](#)



[Electronics Components](#)

P



[www.handsontec.com](http://www.handsontec.com)

[Power Supply](#)



[Arduino Board & Shield](#)

[Tools & Accessory](#)



[www.handsontec.com](http://www.handsontec.com)

[Tools & Accessory](#)