



## Data Specs

## KP Series Self Align Shaft Holder - Vertical

This is Pillow Block Self-Aligning shaft holder with bearings. This bearings shaft are insensitive to angular misalignment of the shaft relative to the housing (figure 1), which can be caused, for example, by shaft deflection. Self-aligning ball bearings can reduce noise and vibrations levels, for example, in fans.



**SKU:** [MCH1199](#)

### **Brief Data:**

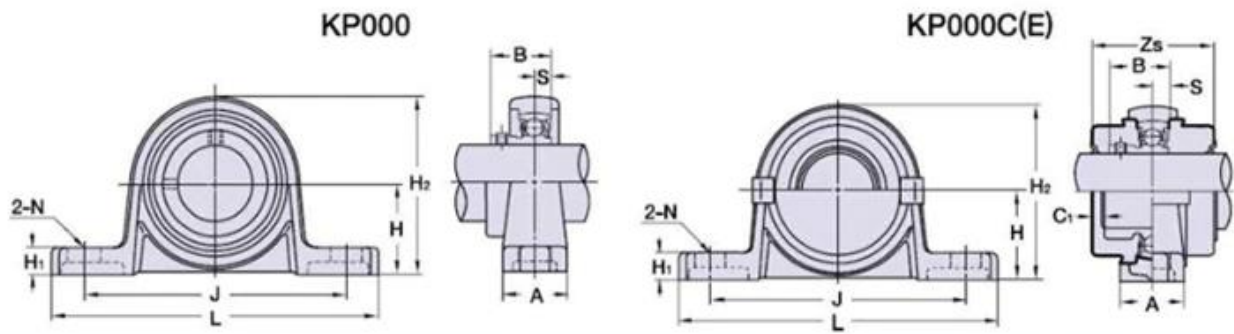
- Product Name: Pillow Block Bearing.
- Model: KP000~08.
- Housing Material: Zinc Alloy.
- Bearing Material: Chrome Steel.
- Bearing Inner Diameter (ID): 8~10mm.
- Pillow Block Size: Refer to data specs.
- Mount Hole Diameter: Refer to data specs.
- Shaft Tightening: Refer to data specs.
- Net Weight: 27grams.

### **Application:**

- 3D Printer
- DIY CNC Machine & Robotics
- Linear Motion

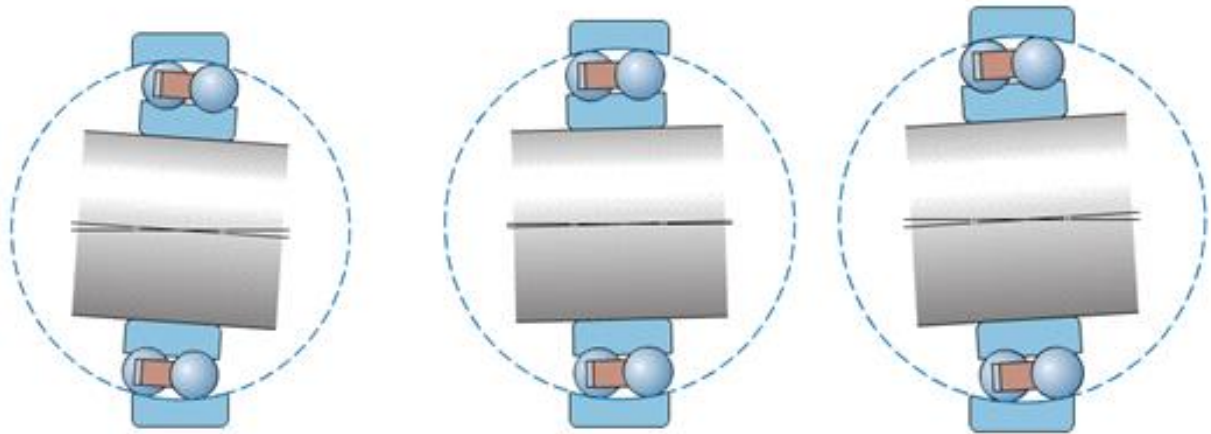
## Mechanical Dimension:

Unit: mm



Unit No.	Shaft Dia. (mm)	Dimensions (mm)								Bolt Size mm	Bearing No.	Housing No.	Weight (kg)
		H	L	J	A	H1	H2	N	S				
KP08	8	15	55	42	13	5	29	4.8	3.5	M4	K08	P08	0.029
KP000	10	18	67	53	16	6	35	7	4	M6	K000	P000	0.059
KP001	12	19	71	56	16	6	38	7	4	M6	K001	P001	0.071
KP002	15	22	80	63	16	7	43	7	4.5	M6	K002	P002	0.096
KP003	17	24	85	67	18	7	47	7	5	M6	K003	P003	0.127
KP004	20	28	100	80	20	9	55	10	6	M8	K004	P004	0.200
KP005	25	32	112	90	20	10	62	10	6	M8	K005	P005	0.259
KP006	30	36	132	106	26	11	70	13	6.5	M10	K006	P006	0.359

**Self Align Shaft Movement:**



**Figure 1**





# Handsontec.com

**We have the parts for your ideas**

---

HandsOn Technology provides a multimedia and interactive platform for everyone interested in electronics. From beginner to diehard, from student to lecturer. Information, education, inspiration and entertainment. Analog and digital, practical and theoretical; software and hardware.



open source  
hardware

HandsOn Technology support Open Source Hardware (OSHW) Development Platform.

*Learn : Design : Share*

*handsontec.com*



## The Face behind our product quality...

In a world of constant change and continuous technological development, a new or replacement product is never far away – and they all need to be tested.

Many vendors simply import and sell without checks and this cannot be the ultimate interests of anyone, particularly the customer. Every part sold on Handsontec is fully tested. So when buying from Handsontec products range, you can be confident you're getting outstanding quality and value.

We keep adding the new parts so that you can get rolling on your next project.



[www.handsontec.com](http://www.handsontec.com)

[Breakout Boards & Modules](#)



[Connectors](#)



[www.handsontec.com](http://www.handsontec.com)

[Electro-Mechanical Parts](#)



[www.handsontec.com](http://www.handsontec.com)

[Engineering Material](#)



[www.handsontec.com](http://www.handsontec.com)

[Mechanical Hardware](#)



[Electronics Components](#)

P



[www.handsontec.com](http://www.handsontec.com)

[Power Supply](#)



[Arduino Board & Shield](#)

[Tools & Accessory](#)



[www.handsontec.com](http://www.handsontec.com)

[Tools & Accessory](#)