



## LMKxxUU Square Flange Linear Ball Bearing Bushing

Linear Ball Bushing is widely used in precision equipments; computer and peripheral equipments, measuring equipments, auto recording equipments, and 3D measuring equipments, and linear motion system in machine for mass production; multi-axis drilling machines, punching press, tool grinders, auto-gas cutters, printing machines, CNC router, food packing machines.



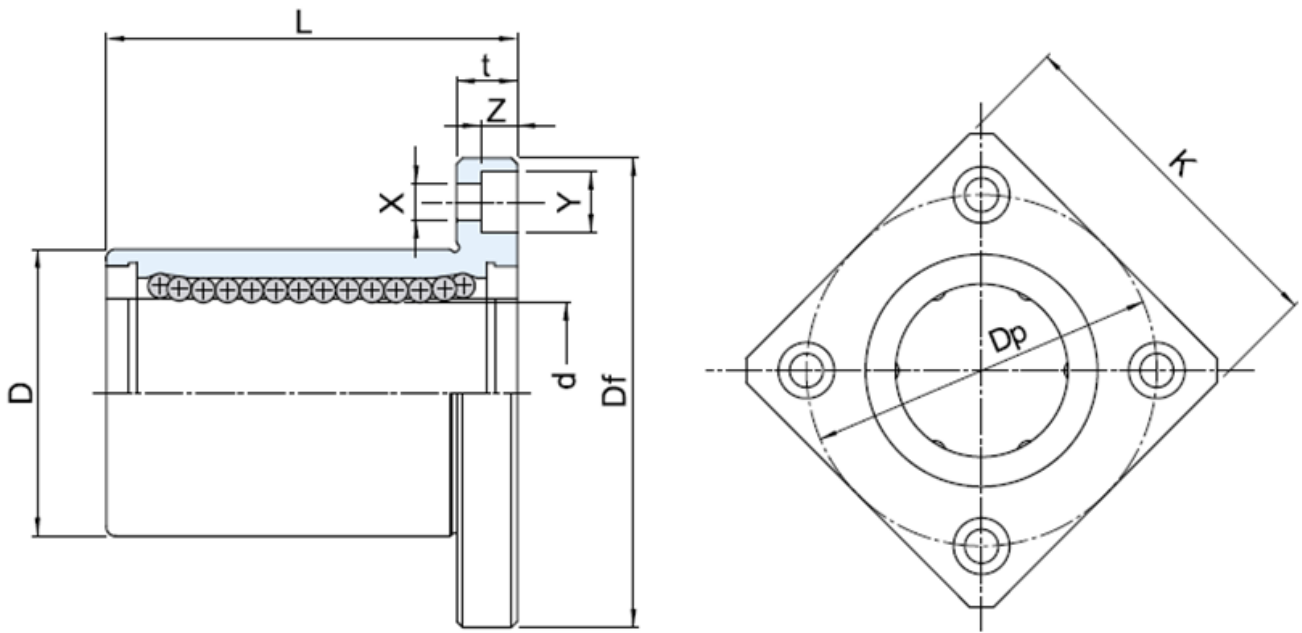
**SKU: [MCH1016](#)**

### **Brief Data:**

- Product Name: Flange Linear Ball Bushing.
- Industrial Model: LMKxxUU.
- Material: Carbon Steel, Rubber.
- Inner Diameter:  $\text{\O}10\text{mm}/0.4\text{'}$ .
- Outer Diameter (Shaft Dia):  $\text{\O}19\text{mm}/0.8\text{'}$ .
- Base Flange Width: 30x30mm.
- Overall Size: 29x30x30mm/1"x1.2"x1.2"(L\*W\*H)
- Mounted Bolt Hole size: 4mm/0.16"
- Color: Silver Tone.
- Net Weight: approximate 51g.

**Mechanical Dimension:**

Unit: mm



Model	d	D	L	Df	Dp	K	Y	X	t	SKU
LMK20UU	Ø20	Ø32	42	54	Ø43	42	Ø9	Ø5.5	8	MCH1634



# Handsontec.com

**We have the parts for your ideas**

---

HandsOn Technology provides a multimedia and interactive platform for everyone interested in electronics. From beginner to diehard, from student to lecturer. Information, education, inspiration and entertainment. Analog and digital, practical and theoretical; software and hardware.



open source  
hardware

HandsOn Technology support Open Source Hardware (OSHW) Development Platform.

*Learn : Design : Share*

*[www.handsontec.com](http://www.handsontec.com)*

The Face behind our product quality...

In a world of constant change and continuous technological development, a new or replacement product is never far away – and they all need to be tested.

Many vendors simply import and sell without checks and this cannot be the ultimate interests of anyone, particularly the customer. Every part sell on Handsotec is fully tested. So when buying from Handsontec products range, you can be confident you're getting outstanding quality and value.

We keep adding the new parts so that you can get rolling on your next project.



[www.handsontec.com](http://www.handsontec.com)

[Breakout Boards & Modules](#)



[Connectors](#)



[www.handsontec.com](http://www.handsontec.com)

[Electro-Mechanical Parts](#)



[www.handsontec.com](http://www.handsontec.com)

[Engineering Material](#)



[www.handsontec.com](http://www.handsontec.com)

[Mechanical Hardware](#)



[Electronics Components](#)

P



[www.handsontec.com](http://www.handsontec.com)

[Power Supply](#)



[Arduino Board & Shield](#)

Tools & Accessory



[www.handsontec.com](http://www.handsontec.com)

[Tools & Accessory](#)