



Rod End Bearing – Inner Thread Female Type

Rod end bearings are used on the ends of cylinders, linkages, rods, and shafts to take up angular misalignment between connected parts. They consist of a spherically-shaped inner ring and a cylindrical bore for shaft mounting. Suitable for pneumatic cylinders and coupler mechanisms in the fields of printing and packing machines, filling plants, labelling machines and mechanical controls. Maintenance free - do not require lubrication.



SKU: [MCH1555](#)

Brief Data:

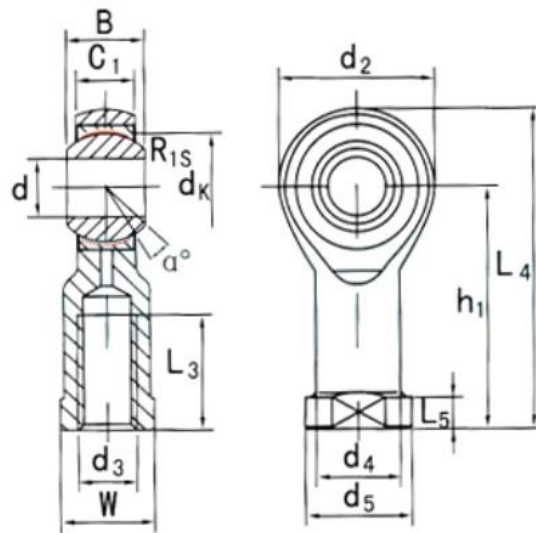
- Model: SIxxT/K Series.
- Connection Size: M8~M10 Female.
- Bore Size: (Ø8~10)mm.
- Overall Length: (36~102)mm.
- Dynamic Load Rating: N (Refer to table "C").
- Static Load Rating: N (Refer to table "Co").
- Material: Steel.
- Connection Thread Size: M5~M20.
- Connection Thread Standard: Metric
- Connection Gender: Female.

Application:

- 3D Printer
- DIY CNC Machine & Robotics
- Linear Motion

Mechanical Dimension:

Unit: mm



型号	尺寸															重量kg weight	
	d	d ₃ 6H	B	C ₁	W	H ₁	D ₂	L ₄	L ₅	D ₄	D ₅	DK	L ₃ MIN	α ≈	动dyn. C		静stat. C ₀
SI 5 T/K	5	M5*0.8	8	6	9	27	18	36	4	8.5	11	11.11	10	13	5.70	6.00	0.016
SI 6 T/K	6	M6*1.0	9	6.75	11	30	20	40	5	10	13	12.70	12	13	7.20	7.65	0.022
SI 8 T/K	8	M8*1.25	12	9	14	36	24	48	5	12.5	16	15.875	16	14	11.60	12.90	0.047
SI 10 T/K	10	M10*1.5	14	10.5	17	43	28	57	6.5	15	19	19.05	20	13	14.50	18.00	0.077
SI 12 T/K	12	M12*1.75	16	12	19	50	32	66	6.5	17.5	22	22.225	22	13	17.00	24.00	0.1
SI 16 T/K	16	M16*2.0	21	15	22	64	42	85	8	22	27	28.575	28	15	28.50	39.00	0.22
SI 20 T/K	20	M20*1.5	25	18	30	77	50	102	10	27.5	34	34.925	33	14	42.50	57.00	0.42



Handsontec.com

We have the parts for your ideas

HandsOn Technology provides a multimedia and interactive platform for everyone interested in electronics. From beginner to diehard, from student to lecturer. Information, education, inspiration and entertainment. Analog and digital, practical and theoretical; software and hardware.



open source
hardware

HandsOn Technology support Open Source Hardware (OSHW) Development Platform.

Learn : Design : Share

handsontec.com



The Face behind our product quality...

In a world of constant change and continuous technological development, a new or replacement product is never far away – and they all need to be tested.

Many vendors simply import and sell without checks and this cannot be the ultimate interests of anyone, particularly the customer. Every part sell on Handsotec is fully tested. So when buying from Handsotec products range, you can be confident you're getting outstanding quality and value.

We keep adding the new parts so that you can get rolling on your next project.



www.handsontec.com

[Breakout Boards & Modules](#)



[Connectors](#)



www.handsontec.com

[Electro-Mechanical Parts](#)



[Engineering Material](#)



www.handsontec.com

[Mechanical Hardware](#)



[Electronics Components](#)

P



www.handsontec.com

[Power Supply](#)



[Arduino Board & Shield](#)

[Tools & Accessory](#)



www.handsontec.com

[Tools & Accessory](#)