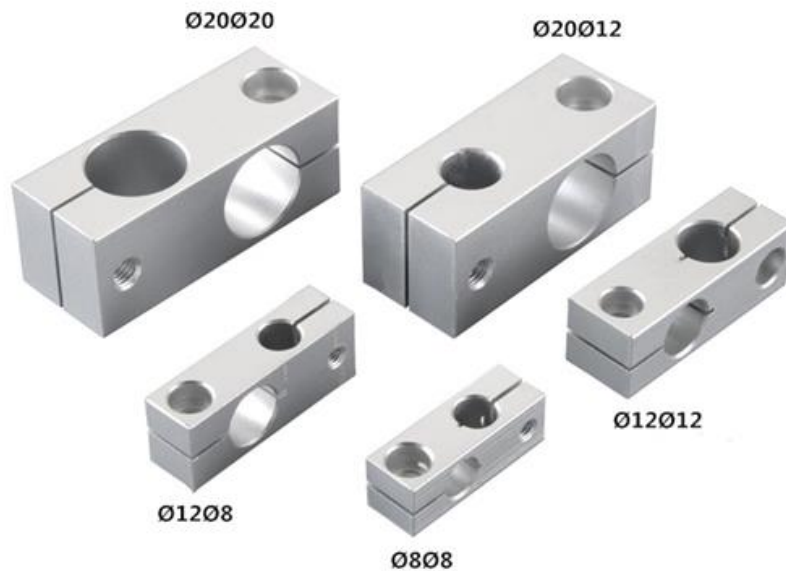




Data Specs

Equal Diameter Strut Post Clamp – Perpendicular

Connects two round tubes or linear shaft of the various diameter size with a cross over at 90° perpendicular.



SKU: [MCH1592](#)

Brief Data:

- Structural Element Type: Rectangular Post Clamp.
- Connector Type: 90° Perpendicular Cross Clamp.
- Body Length: 57mm.
- Clamp Configuration: Equal Diameter.
- Fits Shaft Diameter: Ø16mm.
- Material: Aluminium Alloy.
- Weight: 66g.

Mechanical Dimension:

Unit: mm

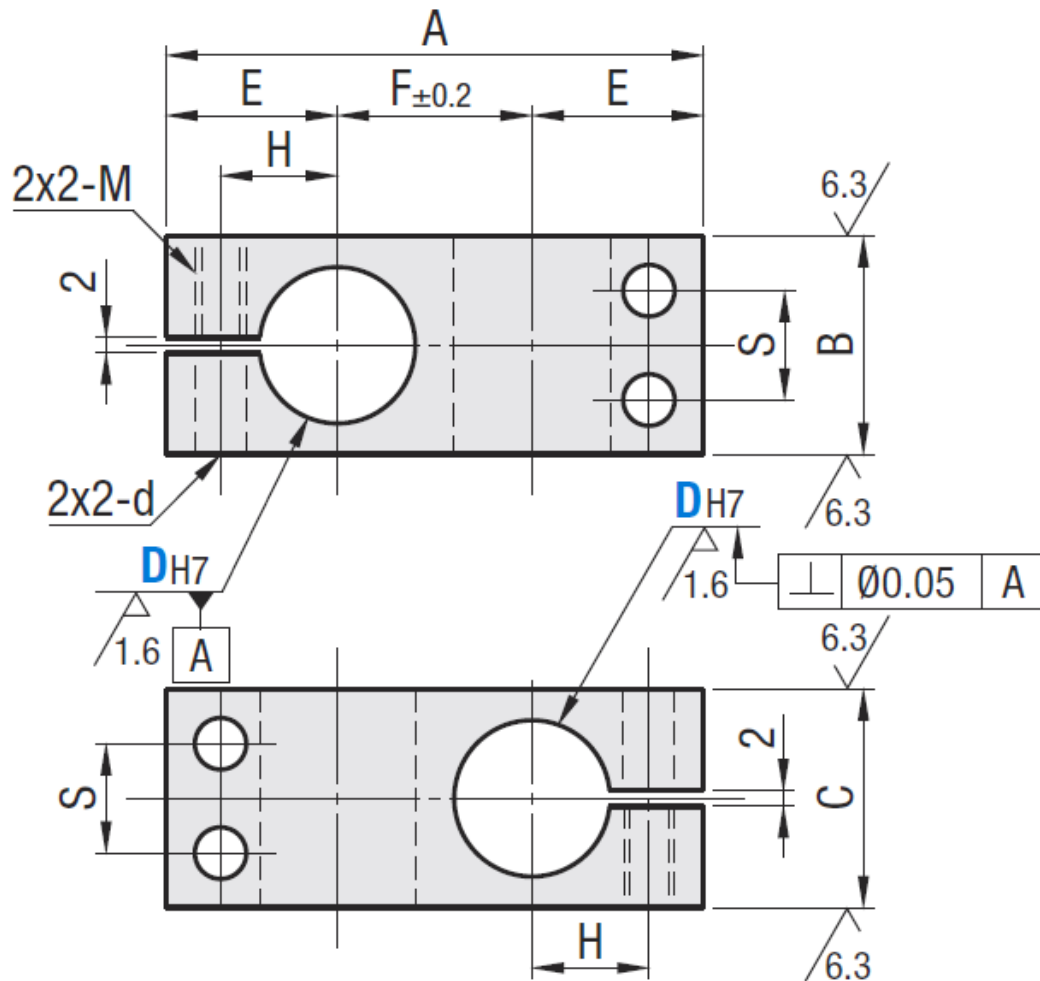
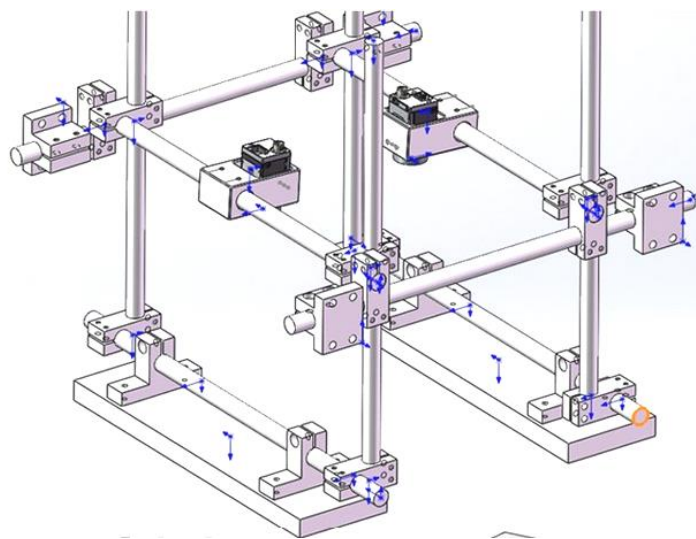


Table-1: Equal Diameter.

Inner Diameter D	A	B	C	H	E	F	S	M	SKU
16	57	24	24	10	18	21	11	M5	MCH1592

Application Examples:





Handsontec.com

We have the parts for your ideas

HandsOn Technology provides a multimedia and interactive platform for everyone interested in electronics. From beginner to diehard, from student to lecturer. Information, education, inspiration and entertainment. Analog and digital, practical and theoretical; software and hardware.



open source
hardware

HandsOn Technology support Open Source Hardware (OSHW) Development Platform.

Learn : Design : Share

handsontec.com



The Face behind our product quality...

In a world of constant change and continuous technological development, a new or replacement product is never far away – and they all need to be tested.

Many vendors simply import and sell without checks and this cannot be the ultimate interests of anyone, particularly the customer. Every part sell on Handsotec is fully tested. So when buying from Handsotec products range, you can be confident you're getting outstanding quality and value.

We keep adding the new parts so that you can get rolling on your next project.



www.handsontec.com

[Breakout Boards & Modules](#)



[Connectors](#)



www.handsontec.com

[Electro-Mechanical Parts](#)



www.handsontec.com

[Engineering Material](#)



www.handsontec.com

[Mechanical Hardware](#)



[Electronics Components](#)

P



www.handsontec.com

[Power Supply](#)



[Arduino Board & Shield](#)

Tools & Accessory



www.handsontec.com

[Tools & Accessory](#)