



LMKC16 Center Square Flange Linear Ball Bushing

Center Pilot Square Flange Linear Motion Bearing Bushing. A linear-motion bearing or linear slide is a bearing designed to provide free motion in one direction. There are many different types of linear motion bearings for various type of application. When the load of moving body passed directly to the Linear Bushing, the Pilot Flange can get more stable movement and being the most suitable for moment load on both sides of the moving body.



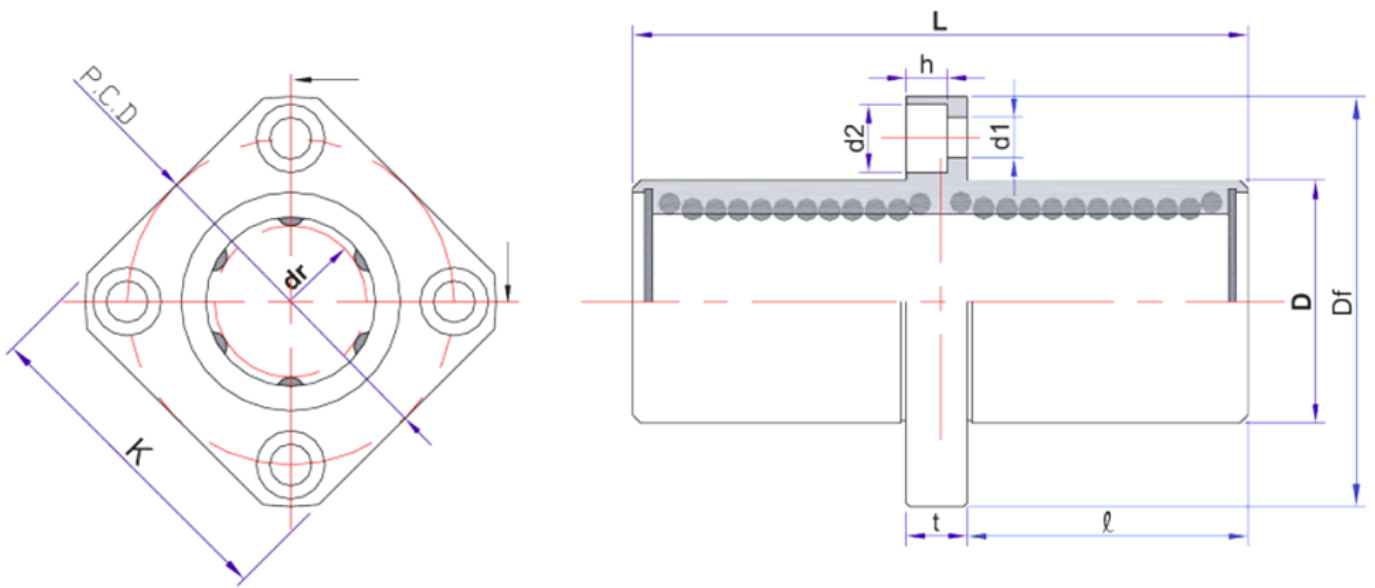
SKU: [MCH1651](#)

Brief Data:

- Bore Diameter (dr): Ø16mm.
- Outer Diameter (D): Ø28mm.
- Overall Length (L): 37mm.
- Flange Dimension (K): (36x36) mm
- Mounting Screw Distance(PCD): Ø38mm
- Mounting Hole Screw: M4.
- Flange: Center.
- Precision CNC machined.
- 4 rows of ball bearings for extreme precision.
- Rubber seals to prevent debris entering the ball bearings.
- Perfect for DIY CNC routers, mills, lathes, 3D printers & robotic control.
- Rolling Block Material: Steel.

Mechanical Dimension:

Unit: mm



Part No	d_r	D	L	D_f	K	PCD	d_1	d_2	t	SKU
LMKC16	Ø16	28	37	48	36	Ø38	4.5	7.5	6	MCH1651
LMKC20	Ø20	32	42	54	42	Ø43	5.5	9.0	8	MCH1652



Handsontec.com

We have the parts for your ideas

HandsOn Technology provides a multimedia and interactive platform for everyone interested in electronics. From beginner to diehard, from student to lecturer. Information, education, inspiration and entertainment. Analog and digital, practical and theoretical; software and hardware.



open source
hardware

HandsOn Technology support Open Source Hardware (OSHW) Development Platform.

Learn : Design : Share

www.handsontec.com

The Face behind our product quality...

In a world of constant change and continuous technological development, a new or replacement product is never far away – and they all need to be tested.

Many vendors simply import and sell without checks and this cannot be the ultimate interests of anyone, particularly the customer. Every part sell on Handsotec is fully tested. So when buying from Handsontec products range, you can be confident you're getting outstanding quality and value.

We keep adding the new parts so that you can get rolling on your next project.



www.handsontec.com

[Breakout Boards & Modules](#)



[Connectors](#)



www.handsontec.com

[Electro-Mechanical Parts](#)



[Engineering Material](#)



www.handsontec.com

[Mechanical Hardware](#)



[Electronics Components](#)



www.handsontec.com

[Power Supply](#)



[Arduino Board & Shield](#)

[Tools & Accessory](#)



www.handsontec.com

[Tools & Accessory](#)