



Data Specs

Flexible Motor Shaft Coupler

This High Quality, aluminum Helical Shaft coupling is commonly used in 3D Printers, CNC machines and other DIY projects to couple Stepper motors shaft and other diameter threaded rods, precision trapezoidal lead screw. The coupler takes care of small misalignments, deviations and twists in the system. The bore diameter of this product is 5mm and 8mm. Also known as beam coupling, helical coupling and Flexible coupling.



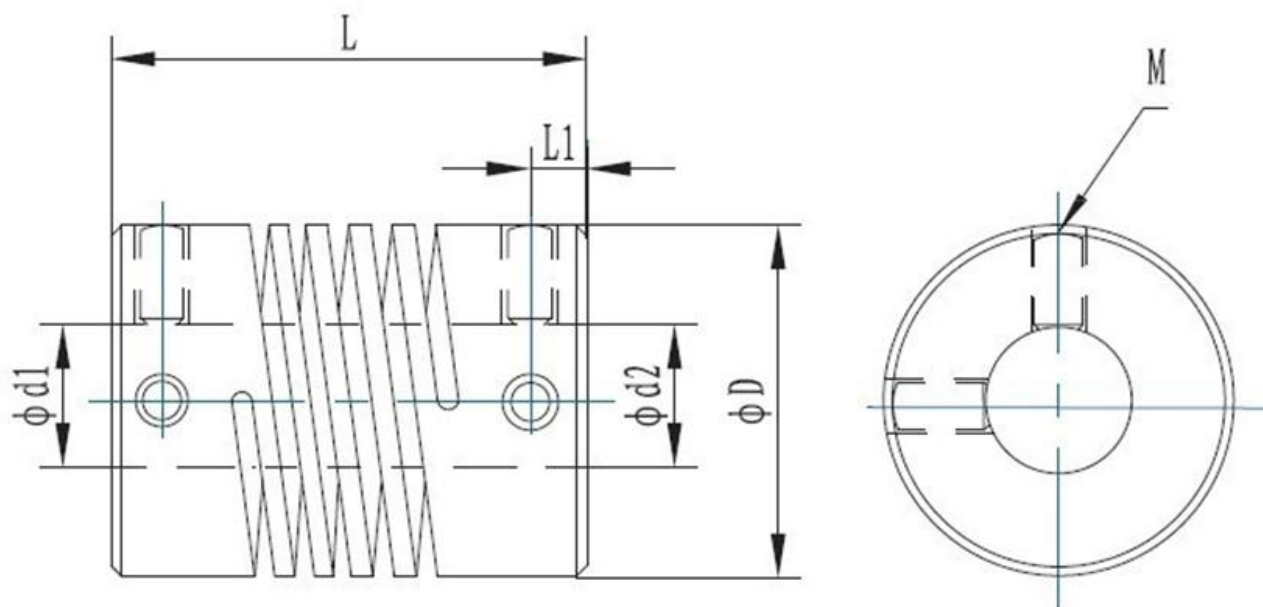
SKU: [MCH1394](#)

Brief Data:

- Precision CNC machined.
- Material: Aluminum alloy.
- Bore Diameter d1: $\varnothing 5 \sim \varnothing 10$ mm.
- Bore Diameter d2: $\varnothing 5 \sim \varnothing 10$ mm.
- Length L: 25mm.
- Outer Diameter OD: $\varnothing 19$ mm.
- M: M3 Set Screws 4-pieces per coupler.

Mechanical Dimension:

Unit: mm



Type	$\phi d1$	$\phi d2$	ϕD	L	M	SKU
5 ◀▶ 5	5	8	19	25	M4	
5 ◀▶ 8	5	5	19	25	M4	MCH-1007
5 ◀▶ 10	5	10	19	25	M4	
6.35 ◀▶ 6.35	6.35	6.35	19	25	M4	
6.35 ◀▶ 8	6.35	8	19	25	M4	MCH-1149
8 ◀▶ 8	8	8	19	25	M4	
8 ◀▶ 10	8	10	19	25	M4	



Handsontec.com

We have the parts for your ideas

HandsOn Technology provides a multimedia and interactive platform for everyone interested in electronics. From beginner to diehard, from student to lecturer. Information, education, inspiration and entertainment. Analog and digital, practical and theoretical; software and hardware.

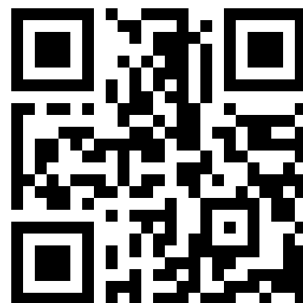


open source
hardware

HandsOn Technology support Open Source Hardware (OSHW) Development Platform.

Learn : Design : Share

handsontec.com



The Face behind our product quality...

In a world of constant change and continuous technological development, a new or replacement product is never far away – and they all need to be tested.

Many vendors simply import and sell without checks and this cannot be the ultimate interests of anyone, particularly the customer. Every part sold on Handsontec is fully tested. So when buying from Handsontec products range, you can be confident you're getting outstanding quality and value.

We keep adding the new parts so that you can get rolling on your next project.



www.handsontec.com

[Breakout Boards & Modules](#)



[Connectors](#)



www.handsontec.com

[Electro-Mechanical Parts](#)



www.handsontec.com

[Engineering Material](#)



www.handsontec.com

[Mechanical Hardware](#)



[Electronics Components](#)

P



www.handsontec.com

[Power Supply](#)



[Arduino Board & Shield](#)

[Tools & Accessory](#)



www.handsontec.com

[Tools & Accessory](#)