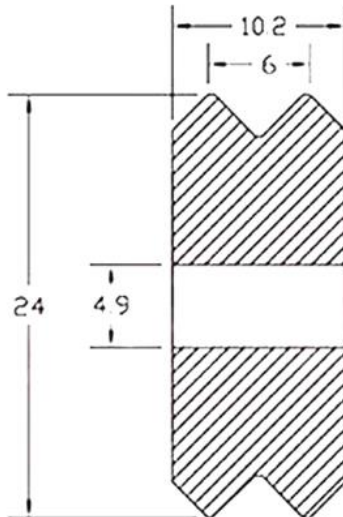




POM Dual V Wheels with 625 Bearing

This Open Builds Delrin V-Wheels are great for use with any V Wheel Linear Guide System. They can be used with V-Slot Extrusion/profile. This wheel has a double V shape that allows for it to ride on the V-Slot as well as the Open Rail.



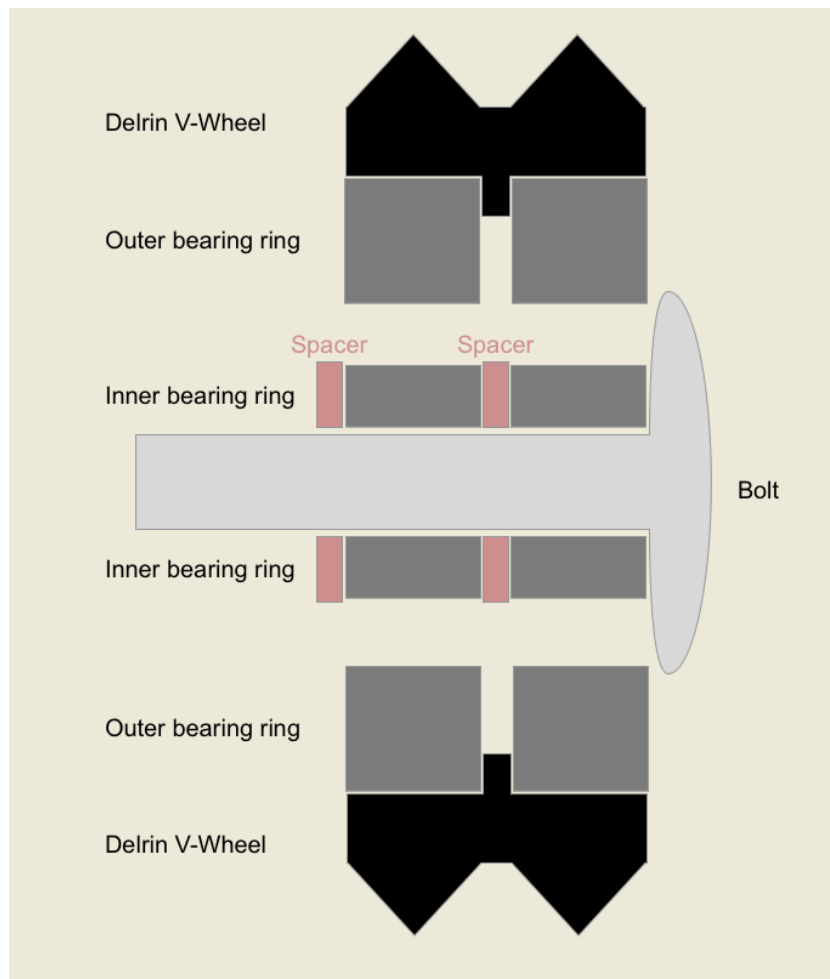
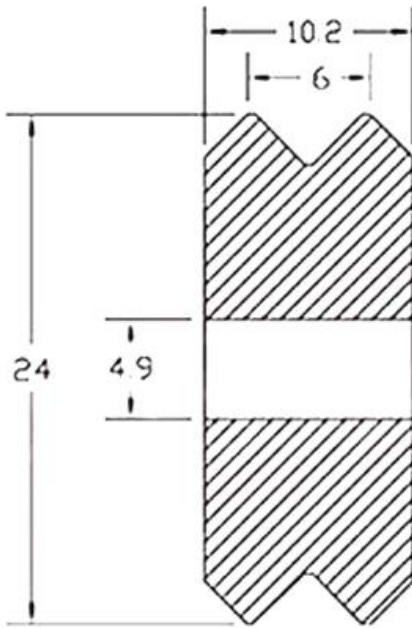
SKU: [MCH1544](#)

Brief Data:

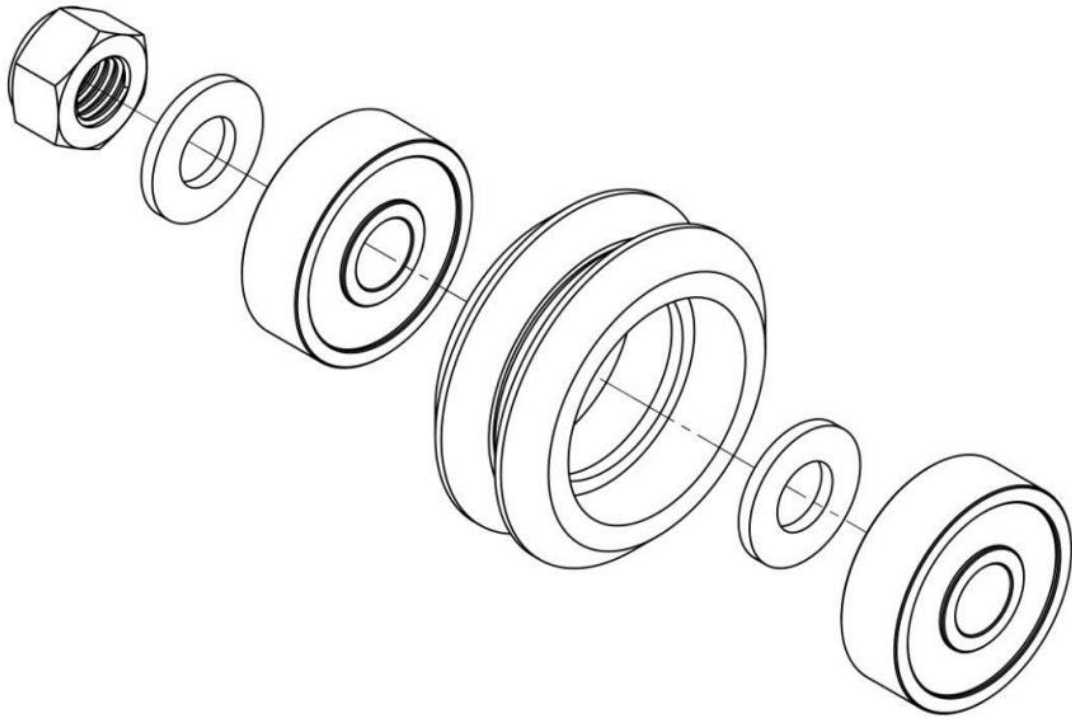
- Material: Delrin (POM) Black.
- Bearing Type: 625ZZ.
- Dimensions: 24.39 OD x 15.974 +/- 0.026 ID x 10.23 'thick'.
- Rockwell Hardness M80.
- Compressive Strength: 63Mpa.

Mechanical Dimension:

Unit: mm



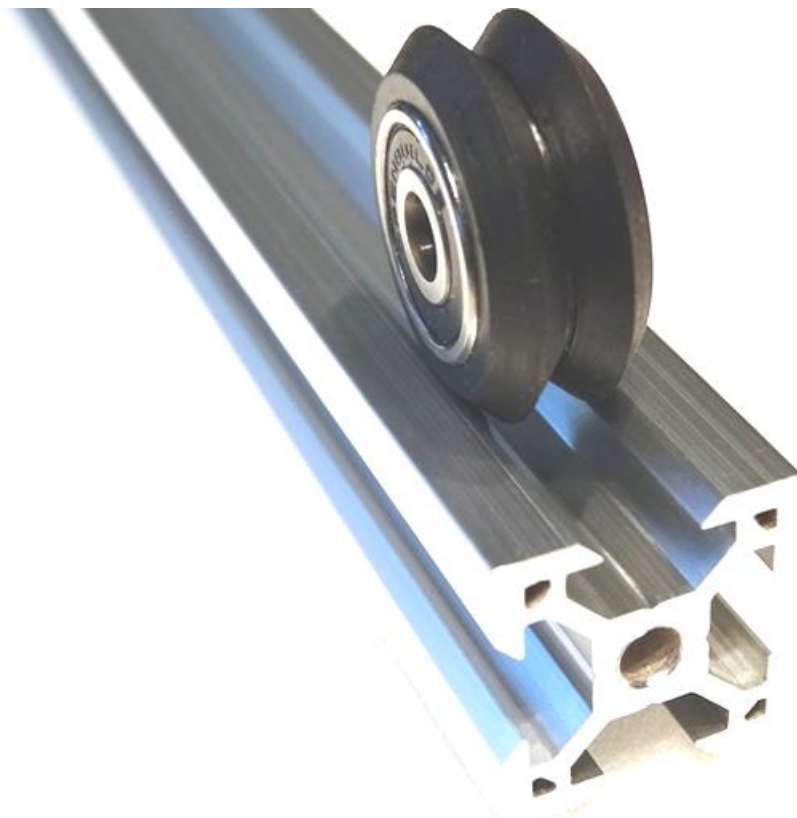
Application Example:



Recommended Part for Fully Assembled Bearing V-Wheel



- 1x [Delrin V-Wheel](#)
- 2x [625ZZ Double Shield Bearing](#)
- 1x Precision Washer





Handsontec.com

We have the parts for your ideas

HandsOn Technology provides a multimedia and interactive platform for everyone interested in electronics. From beginner to diehard, from student to lecturer. Information, education, inspiration and entertainment. Analog and digital, practical and theoretical; software and hardware.

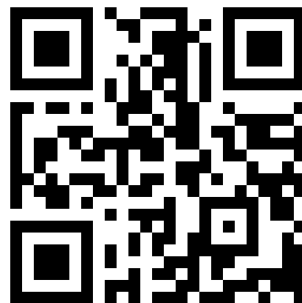


open source
hardware

HandsOn Technology support Open Source Hardware (OSHW) Development Platform.

Learn : Design : Share

handsontec.com



The Face behind our product quality...

In a world of constant change and continuous technological development, a new or replacement product is never far away – and they all need to be tested.

Many vendors simply import and sell without checks and this cannot be the ultimate interests of anyone, particularly the customer. Every part sell on Handsotec is fully tested. So when buying from Handsontec products range, you can be confident you're getting outstanding quality and value.

We keep adding the new parts so that you can get rolling on your next project.



www.handsontec.com

[Breakout Boards & Modules](#)



[Connectors](#)



www.handsontec.com

[Electro-Mechanical Parts](#)



www.handsontec.com

[Engineering Material](#)



www.handsontec.com

[Mechanical Hardware](#)



[Electronics Components](#)

P



www.handsontec.com

[Power Supply](#)



[Arduino Board & Shield](#)

Tools & Accessory



www.handsontec.com

[Tools & Accessory](#)