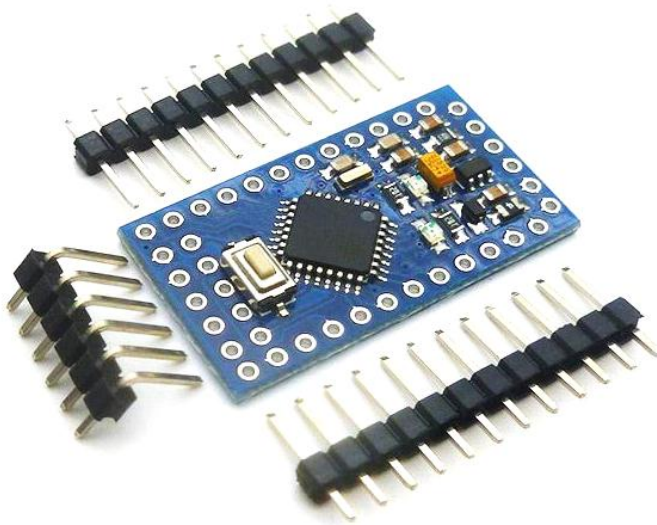




Arduino Pro Mini Controller Board

The Arduino Pro Mini is intended for advanced users who require flexibility, low-cost, and small size. It comes with the minimum of components. No on-board USB to keep the cost down. It's a good choice for a board you want to leave embedded in a project. The Arduino Pro Mini is programmed using the Arduino Software (IDE), compatible with all Arduino boards.



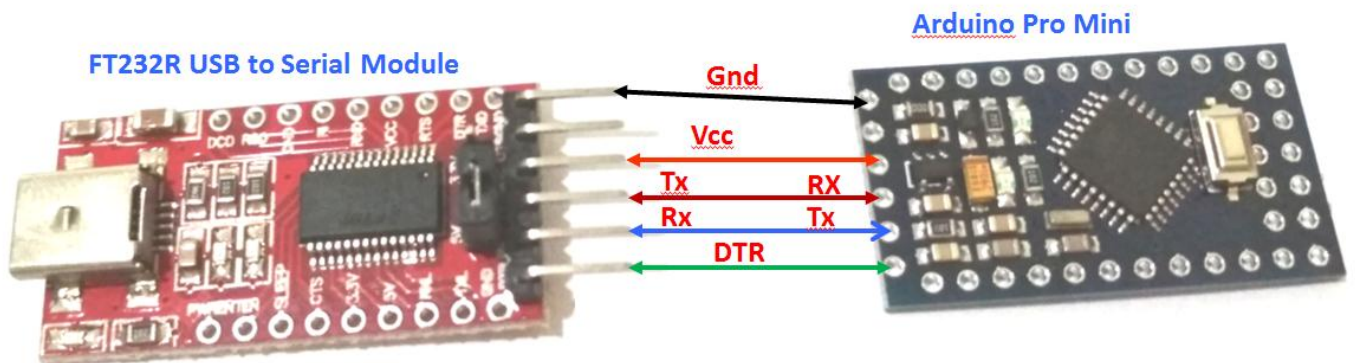
SKU: [MDU1088](#)

Brief Data:

- DC input 3.3V up to 8V (power supply from RAW pin)
- DC input 3.3V (from VCC pin)
- Boot loader: Arduino Pro/Pro Mini (3.3V, 8Mhz) w/ Atmega328
- 3.3V regulator
- Max 150mA output
- ATmega328P running at 16MHz with external resonator (0.5% tolerance)
- Low-voltage board needs no interfacing circuitry to popular 3.3V devices and modules (GPS, accelerometers, sensors, etc)
- Supports auto-reset
- Over current protected
- Reverse polarity protected
- On board Power and Status LEDs
- Board Dimension: 33x18 mm.

Application Examples:

Arduino Pro Mini is without on-board USB interface, we need to use external USB-Serial Converter module to do sketch uploading within Arduino IDE environment. Refer to below connection to Arduino Pro Mini using external USB-Serial Converter type [FT232RL](#).



Web Resources:

- <https://handsontec.com/index.php/product/ft232r-usb-to-serialttl-converter-module/>



Handsontec.com

We have the parts for your ideas

HandsOn Technology provides a multimedia and interactive platform for everyone interested in electronics. From beginner to diehard, from student to lecturer. Information, education, inspiration and entertainment. Analog and digital, practical and theoretical; software and hardware.

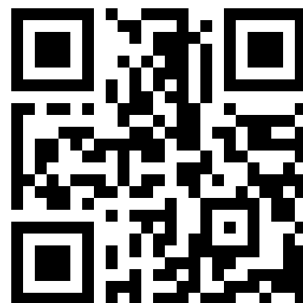


open source
hardware

HandsOn Technology support Open Source Hardware (OSHW) Development Platform.

Learn : Design : Share

handsontec.com



The Face behind our product quality...

In a world of constant change and continuous technological development, a new or replacement product is never far away – and they all need to be tested.

Many vendors simply import and sell without checks and this cannot be the ultimate interests of anyone, particularly the customer. Every part sell on Handsotec is fully tested. So when buying from Handsotec products range, you can be confident you're getting outstanding quality and value.

We keep adding the new parts so that you can get rolling on your next project.



www.handsontec.com

[Breakout Boards & Modules](#)



[Connectors](#)



www.handsontec.com

[Electro-Mechanical Parts](#)



[Engineering Material](#)



www.handsontec.com

[Mechanical Hardware](#)



[Electronics Components](#)

P



www.handsontec.com

[Power Supply](#)



[Arduino Board & Shield](#)

[Tools & Accessory](#)



www.handsontec.com

[Tools & Accessory](#)