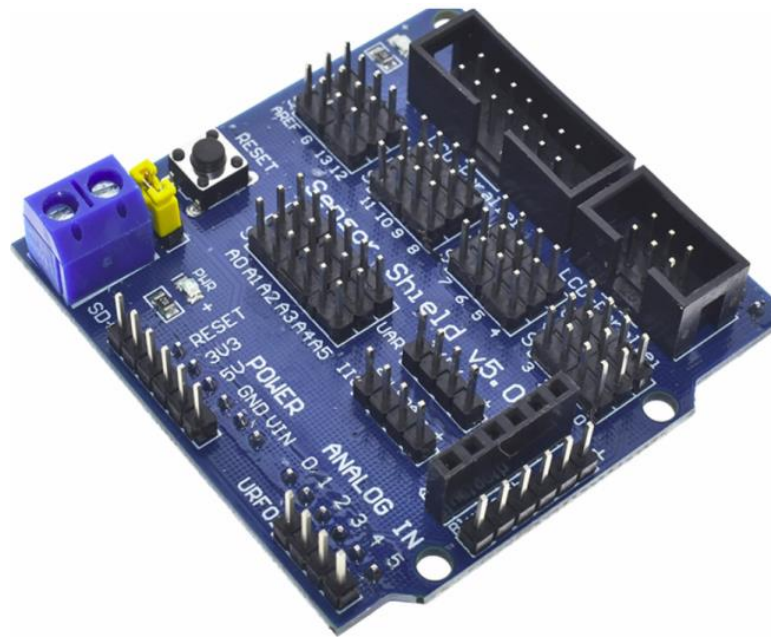




Sensors Shield for Arduino Uno/Mega

The Arduino I/O Expansion Shield provides an easy way to connect sensors, servos and RS485 device to Arduino board. It expands Arduino's Digital I/O and Analog Input Pins with Power and GND. The communication socket provides an extremely easy way to plug a wireless module such as APC220 RF module and DF-Bluetooth module. It has an individual power input for Servos. A servo power jumper allows user to select using external power or internal power to drive the Servos.



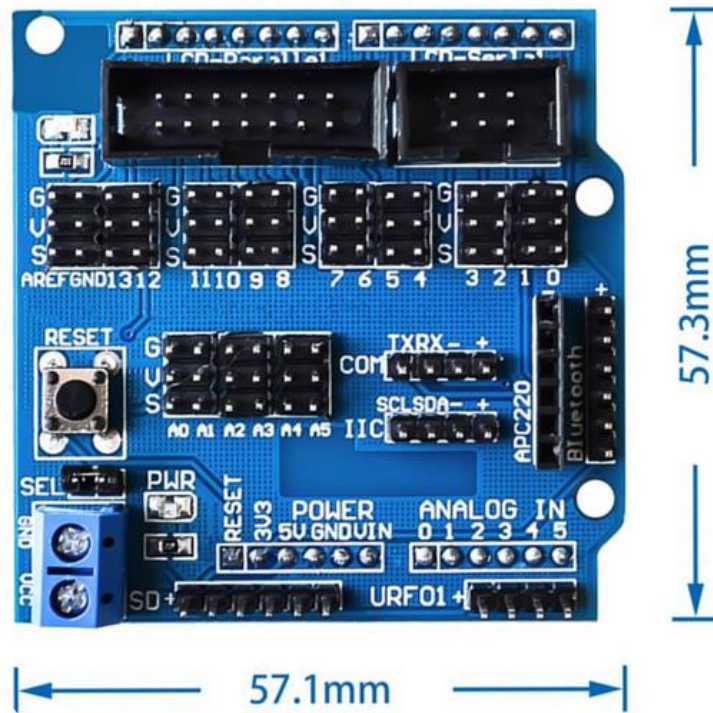
SKU: [MDU1166](#)

Brief Data:

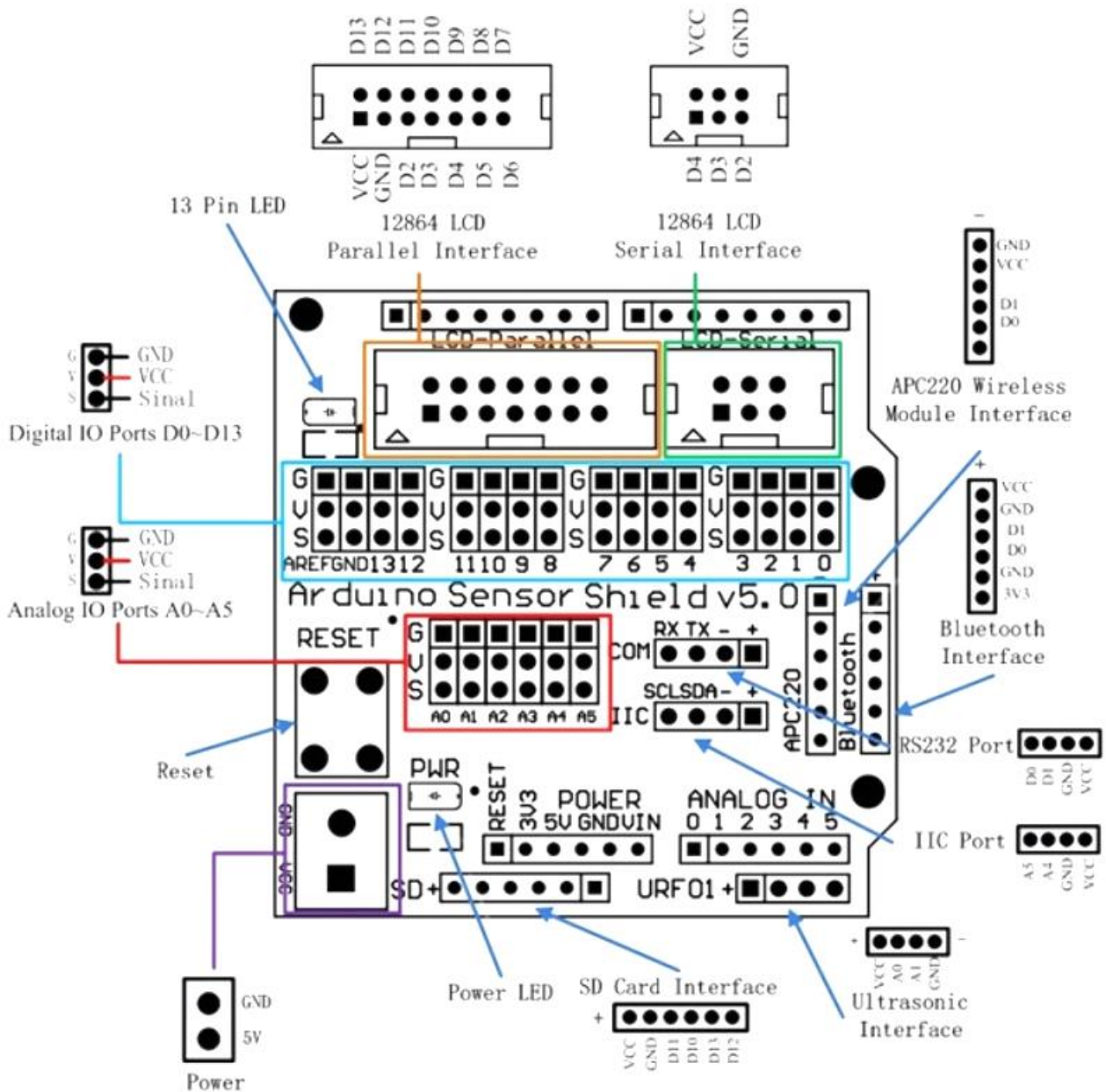
- Arduino Uno/Mega Compatible Shield.
- PIN13 LED Pilot
- Digital IO Ports D0-D13
- Analog IO Ports A0-A5
- Reset Button
- Power In
- Power LED
- LCD Parallel Interface
- LCD Serial Interface
- UART interface
- SD interface
- Bluetooth Interface.
- APC220 wireless rf modules communication interface.

Mechanical Dimension:

Unit: mm



Functional Block Diagram:



G			Gnd	Gnd	Gnd	Gnd	Gnd	Gnd	Gnd	Gnd	Gnd	Gnd	Gnd	Gnd	Gnd	
V			Vcc	Vcc	Vcc	Vcc	Vcc	Vcc	Vcc	Vcc	Vcc	Vcc	Vcc	Vcc	Vcc	
S	Aref	Gnd	13	12	11	10	9	8	7	6	5	4	3	2	1	0

Digital Pins

G	Gnd	Gnd	Gnd	Gnd	Gnd	Gnd
V	Vcc	Vcc	Vcc	Vcc	Vcc	Vcc
S	A0	A1	A2	A3	A4	A5

Analog Pins

Web Resources:

- <https://www.theengineeringprojects.com/2020/10/introduction-to-arduino-sensor-shield.html>



Handsontec.com

We have the parts for your ideas

HandsOn Technology provides a multimedia and interactive platform for everyone interested in electronics. From beginner to diehard, from student to lecturer. Information, education, inspiration and entertainment. Analog and digital, practical and theoretical; software and hardware.



open source
hardware

HandsOn Technology support Open Source Hardware (OSHW) Development Platform.

Learn : Design : Share

handsontec.com



The Face behind our product quality...

In a world of constant change and continuous technological development, a new or replacement product is never far away – and they all need to be tested.

Many vendors simply import and sell without checks and this cannot be the ultimate interests of anyone, particularly the customer. Every part sold on Handsontec is fully tested. So when buying from Handsontec products range, you can be confident you're getting outstanding quality and value.

We keep adding the new parts so that you can get rolling on your next project.



www.handsontec.com

[Breakout Boards & Modules](#)



[Connectors](#)



www.handsontec.com

[Electro-Mechanical Parts](#)



www.handsontec.com

[Engineering Material](#)



www.handsontec.com

[Mechanical Hardware](#)



[Electronics Components](#)

P



www.handsontec.com

[Power Supply](#)



[Arduino Board & Shield](#)

Tools & Accessory



www.handsontec.com

[Tools & Accessory](#)