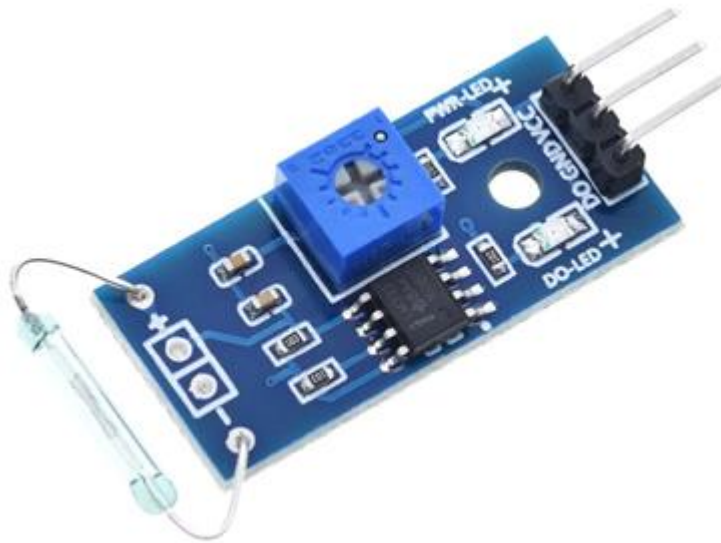




Magnetic Sensing Reed Switch Module

This is a small module used reed switch as magnetic sensing element. When the device is exposed to a magnetic field, the two ferrous materials inside the switch pull together and the switch closes. When the magnetic field is removed, the reeds separate and the switch open. This makes for a great non-contact switch.



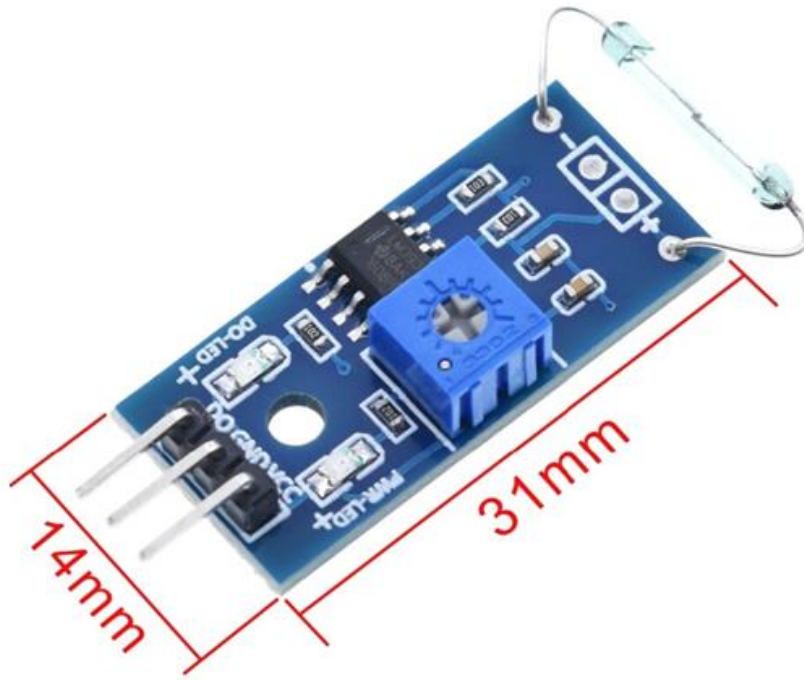
SKU: MDU1117

Brief Data:

- Operating Voltage: 3.3V~5V.
- Reed Switch Configuration: Normally Open (NO).
- Output Format: Digital High/Low.
- Mounting Hole: M3 Screw.
- LM393 Comparator Output: Clean High/Low signal.
- Board Dimension: 32mm x 14mm.

Mechanical Dimension:

Unit: mm



Schematics Diagram:

Open Reed Switch

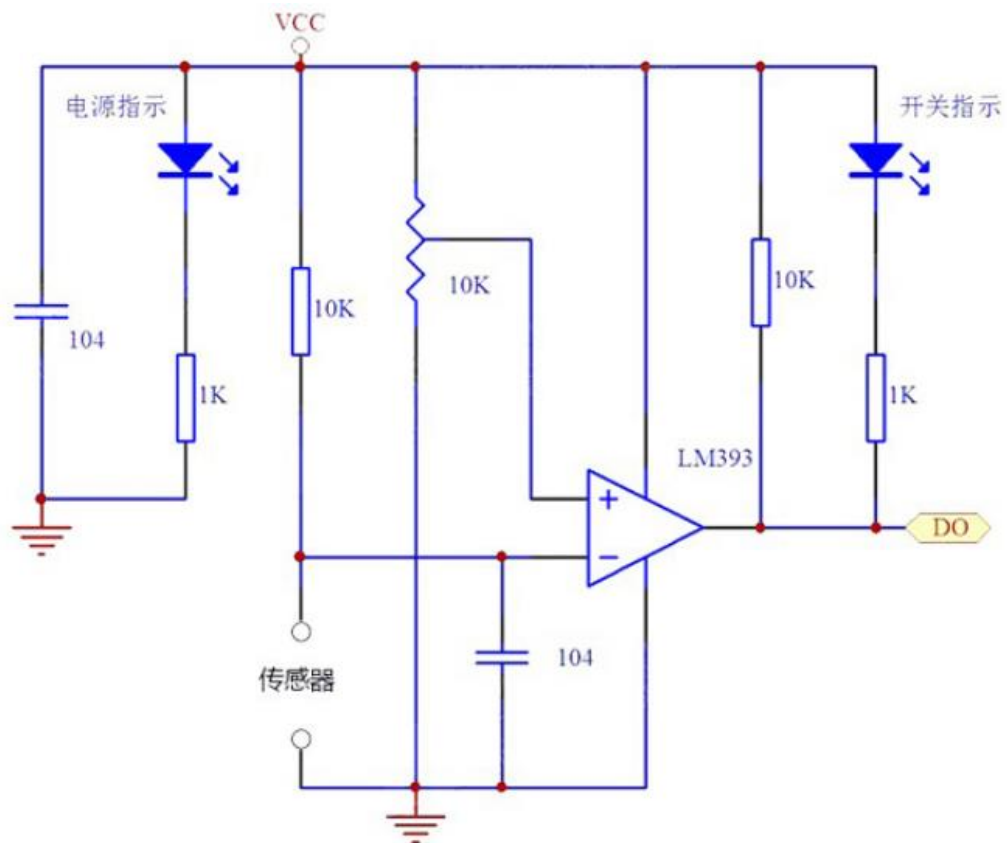


No magnet near the reed switch

Closed Reed Switch



Magnet near the reed switch





Handsontec.com

We have the parts for your ideas

HandsOn Technology provides a multimedia and interactive platform for everyone interested in electronics. From beginner to diehard, from student to lecturer. Information, education, inspiration and entertainment. Analog and digital, practical and theoretical; software and hardware.



open source
hardware

HandsOn Technology support Open Source Hardware (OSHW) Development Platform.

Learn : Design : Share

www.handsontec.com

The Face behind our product quality...

In a world of constant change and continuous technological development, a new or replacement product is never far away – and they all need to be tested.

Many vendors simply import and sell without checks and this cannot be the ultimate interests of anyone, particularly the customer. Every part sell on Handsotec is fully tested. So when buying from Handsotec products range, you can be confident you're getting outstanding quality and value.

We keep adding the new parts so that you can get rolling on your next project.



www.handsontec.com

[Breakout Boards & Modules](#)



[Connectors](#)



www.handsontec.com

[Electro-Mechanical Parts](#)



www.handsontec.com

[Engineering Material](#)



www.handsontec.com

[Mechanical Hardware](#)



[Electronics Components](#)

P



www.handsontec.com

[Power Supply](#)



[Arduino Board & Shield](#)

Tools & Accessory



www.handsontec.com

[Tools & Accessory](#)