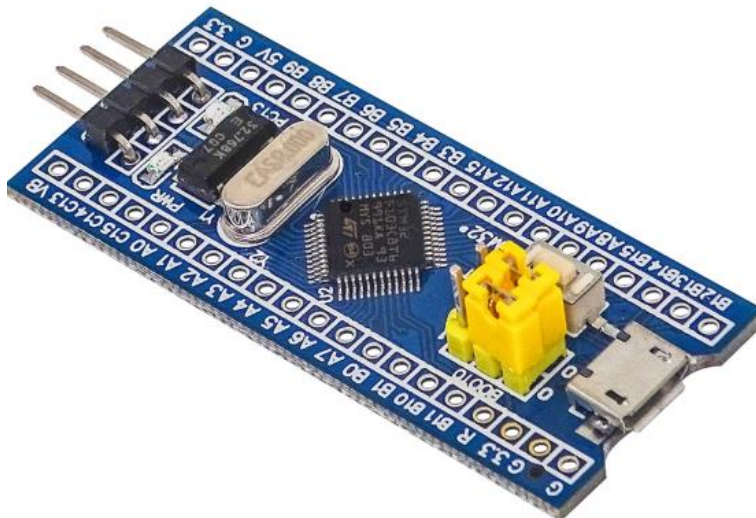




STM32F103C8T6 ARM Cortex-M3 Microcontroller Board

The STM32 board also-known-as "Blue Pill", is 32-bit MCU Development board for the ARM Cortex M3 Microcontroller. It looks very much similar to the Arduino Nano but it packs with exciting features.



SKU: MDU1160

Brief Data:

- Architecture: 32-bit ARM Cortex M3.
- Operating Voltage: 2.7V to 3.6V.
- CPU Frequency: 72 MHz.
- Number of GPIO pins: 37.
- Number of PWM pins: 12.
- Analog input Pins: 10 (12-bit).
- USART Peripherals: 3.
- I2C Peripherals: 2.
- SPI Peripherals: 2.
- Can 2.0 Peripheral: 1.
- Timers: 3(16-bit), 1 (PWM).
- Flash Memory: 64KB.
- RAM: 20kB
- Board Support Package for Arduino IDE.
- Interface Connector: Micro USB.

Pin Function Assignment:

THE GENERIC STM32F103 PINOUT DIAGRAM

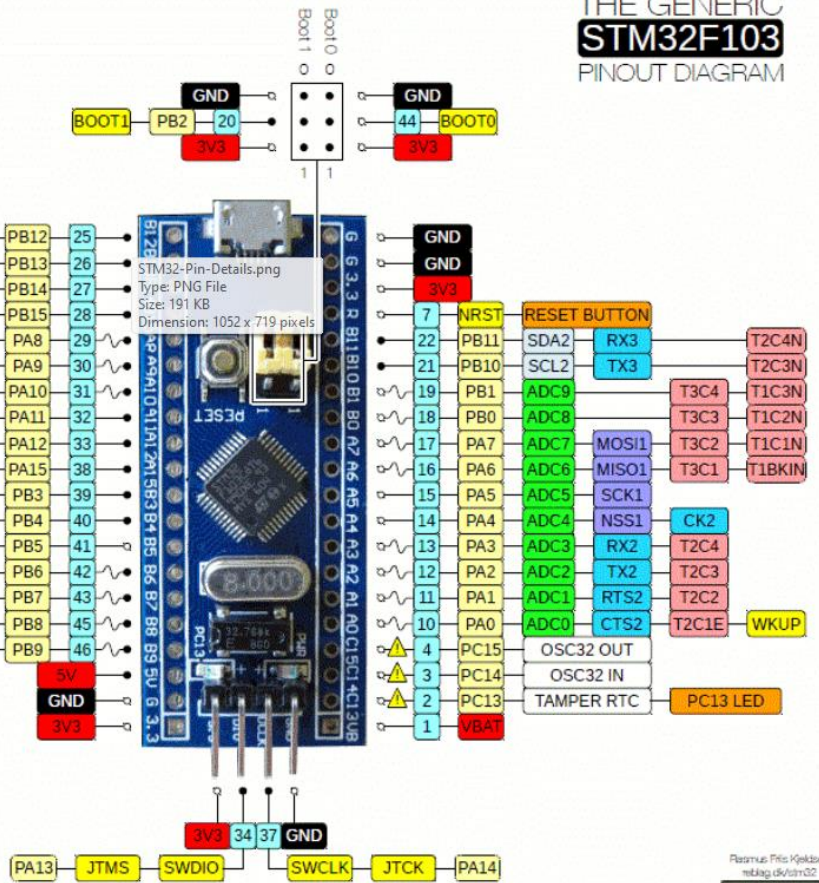
LEGEND

- POWER
- GROUND
- PHYSICAL PIN
- PIN NAME
- CONTROL
- ANALOG
- TIMER & CHANNEL
- USART
- SPI
- I2C
- CAN BUS
- USB
- MISC
- BOARD HARDWARE

- 5V tolerant
- Not 5V tolerant
- ~ PWM pin
- Alternate function
- ▲ PC13, PC14, PC15: Sink max 3mA, source 0mA, max 2mhz, max 30pF

Absolute MAX 150mA total source/sink for entire CPU

Max ±20mA per pin, ±8mA recommended

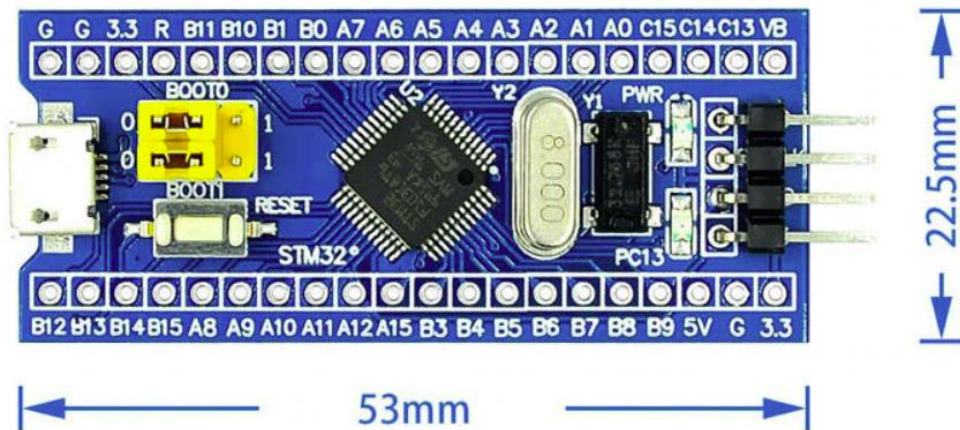
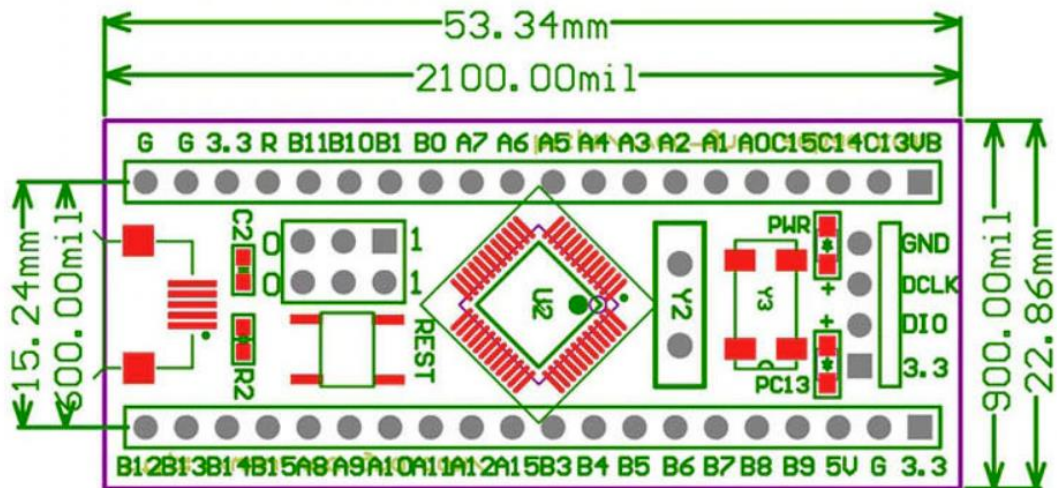


Resonus Pils Kjelksen
nablag.dk/stm32

V1.0

Mechanical Dimension:

Unit: mm



Web Resources:

- <https://circuitdigest.com/microcontroller-projects/getting-started-with-stm32-blue-pill-development-board-stm32f103c8-using-arduino-ide>
- <https://how2electronics.com/getting-started-with-stm32-microcontroller-blinking-of-led/>



Handsontec.com

We have the parts for your ideas

HandsOn Technology provides a multimedia and interactive platform for everyone interested in electronics. From beginner to diehard, from student to lecturer. Information, education, inspiration and entertainment. Analog and digital, practical and theoretical; software and hardware.



open source
hardware

HandsOn Technology support Open Source Hardware (OSHW) Development Platform.

Learn : Design : Share

handsontec.com



The Face behind our product quality...

In a world of constant change and continuous technological development, a new or replacement product is never far away – and they all need to be tested.

Many vendors simply import and sell without checks and this cannot be the ultimate interests of anyone, particularly the customer. Every part sell on Handsotec is fully tested. So when buying from Handsotec products range, you can be confident you're getting outstanding quality and value.

We keep adding the new parts so that you can get rolling on your next project.



www.handsontec.com

[Breakout Boards & Modules](#)



[Connectors](#)



www.handsontec.com

[Electro-Mechanical Parts](#)



www.handsontec.com

[Engineering Material](#)



www.handsontec.com

[Mechanical Hardware](#)



[Electronics Components](#)

P



www.handsontec.com

[Power Supply](#)



[Arduino Board & Shield](#)

Tools & Accessory



www.handsontec.com

[Tools & Accessory](#)