



## Data Specs

### TL494 Step-Up DC-DC Converter - CV/CC Control

TL494 is a 150KHz fixed frequency PWM boost (step-up) DC/DC converter module, capable of driving a 12A load with high efficiency, low ripple and excellent line and load regulation. This module is with constant Voltage (CV) and constant current (CC) adjustment control. Suitable for general purpose DC regulator and battery charger application.



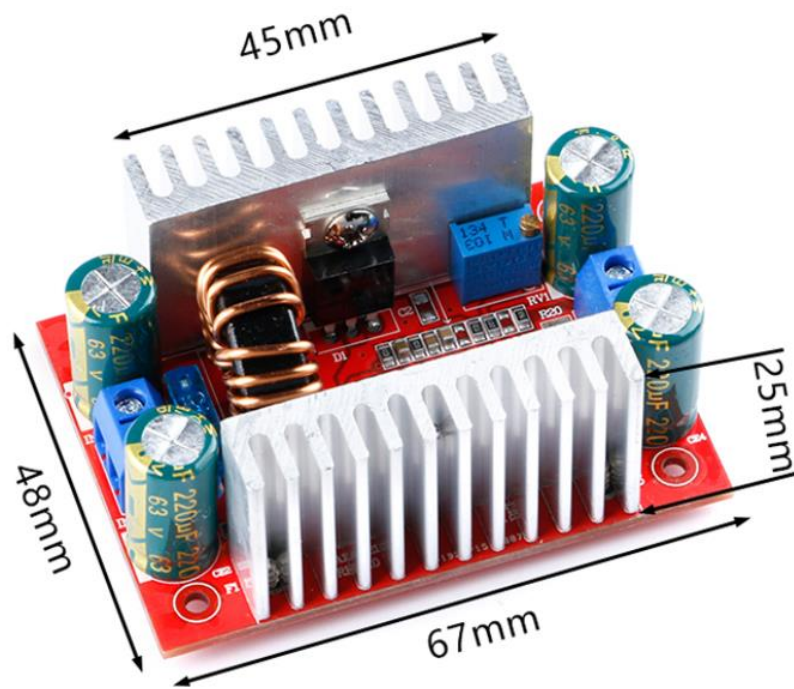
**SKU: [PSU1031](#)**

#### **Brief Data:**

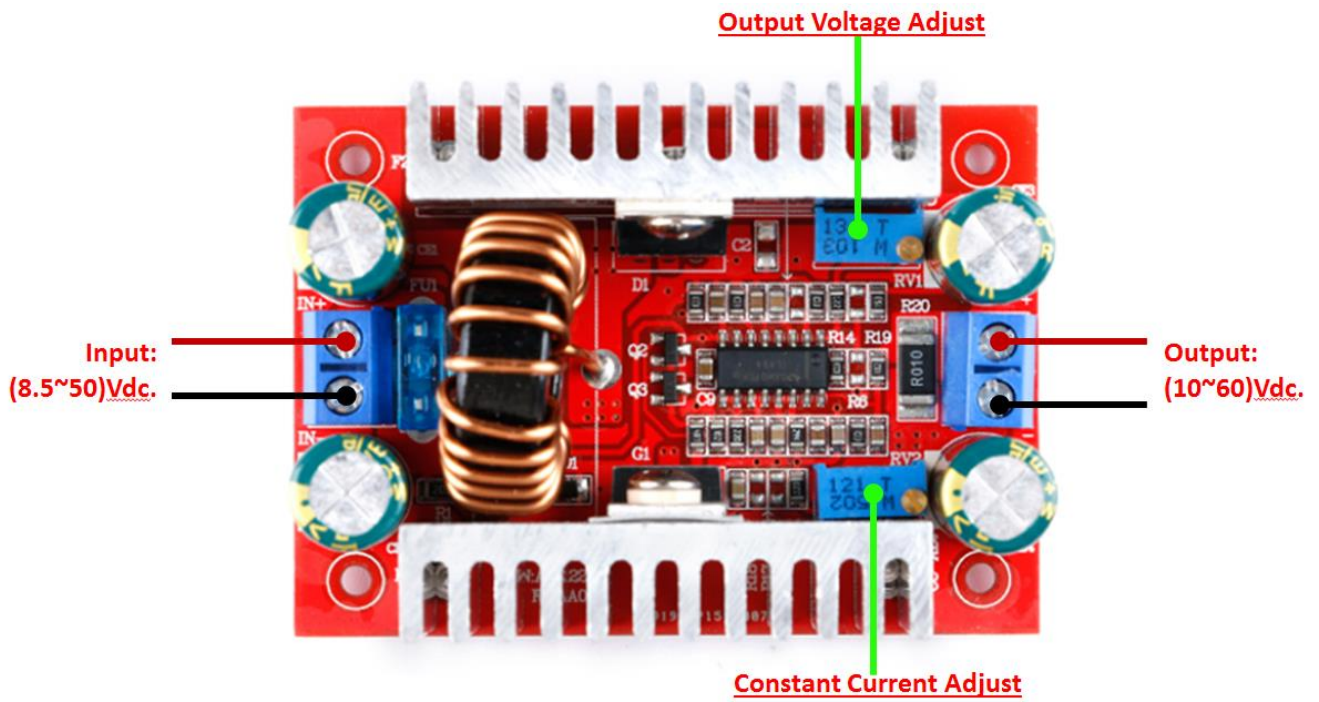
- Input Voltage: (8.5~40)Vdc.
- Output Voltage: (10~50)Vdc (continuously adjustable)
- Control Mode: Constant Voltage (CV) & Constant Current (CC).
- Max. Input Current: 15A.
- Max Output Current: 12A (Use cooling fan for heat dissipation if the current is above 7A)
- Quiescent Current: 10mA (increases when converting from 12V to 20V)
- Constant Current Range: (0.2~12)A.
- Switching Frequency: 150kHz.
- Operating Temperature: -40°C to 85°C. Max.
- Conversion Efficiency: 96%

**Board Dimension:**

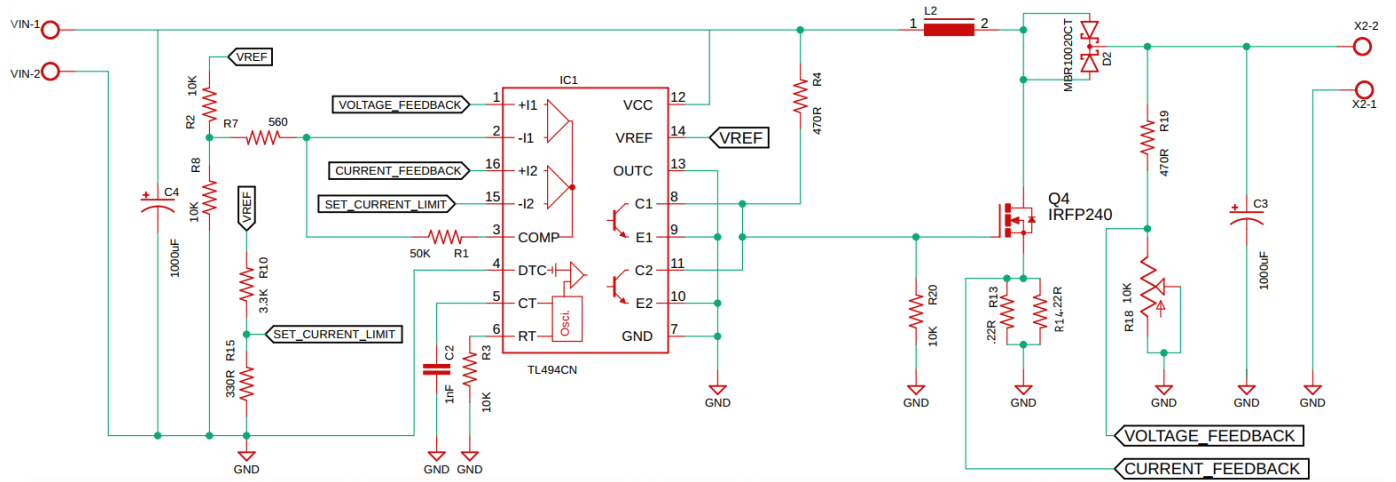
Unit: mm



**Functional Diagram:**



# Schematic:





# Handsontec.com

**We have the parts for your ideas**

---

HandsOn Technology provides a multimedia and interactive platform for everyone interested in electronics. From beginner to diehard, from student to lecturer. Information, education, inspiration and entertainment. Analog and digital, practical and theoretical; software and hardware.



open source  
hardware

HandsOn Technology support Open Source Hardware (OSHW) Development Platform.

*Learn : Design : Share*

*handsontec.com*



## The Face behind our product quality...

In a world of constant change and continuous technological development, a new or replacement product is never far away – and they all need to be tested.

Many vendors simply import and sell without checks and this cannot be the ultimate interests of anyone, particularly the customer. Every part sell on Handsotec is fully tested. So when buying from Handsotec products range, you can be confident you're getting outstanding quality and value.

We keep adding the new parts so that you can get rolling on your next project.



[www.handsontec.com](http://www.handsontec.com)

[Breakout Boards & Modules](#)



[Connectors](#)



[www.handsontec.com](http://www.handsontec.com)

[Electro-Mechanical Parts](#)



[Engineering Material](#)



[www.handsontec.com](http://www.handsontec.com)

[Mechanical Hardware](#)



[Electronics Components](#)

P



[www.handsontec.com](http://www.handsontec.com)

[Power Supply](#)



[Arduino Board & Shield](#)

[Tools & Accessory](#)



[www.handsontec.com](http://www.handsontec.com)

[Tools & Accessory](#)