



Data Specs

2x15W WAV+MP3 Digital Power Amplifier Module

This is a high efficient digital audio power amplifier module that operates with a single 12V power supply. This compact and low profile amplifier module is ideal for integration into a small DIY project that does not necessarily require a large power reserve. Able to play back MP3 and WAV audio format files from USB or micro-SD card.



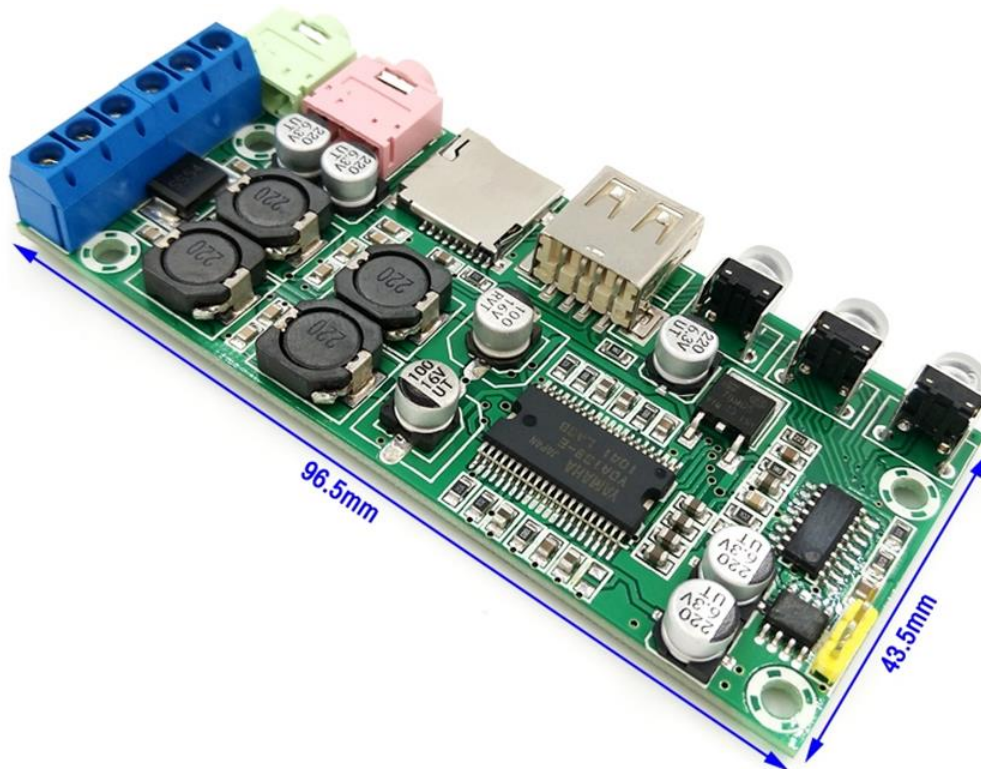
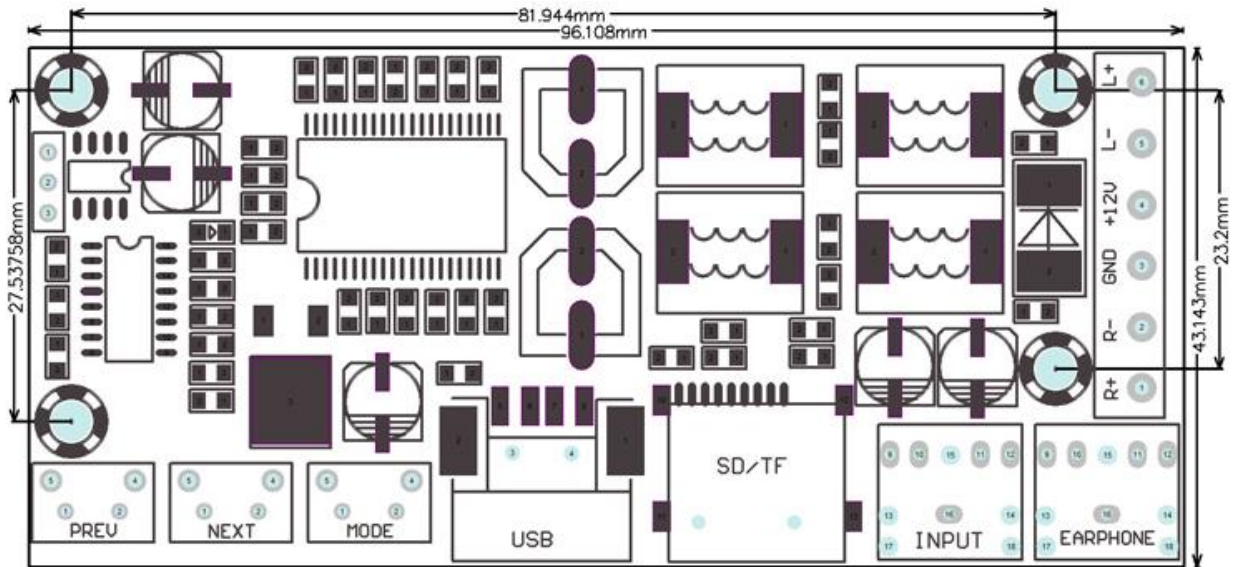
SKU: [MDU1027](#)

Brief Data:

- Power Supply: 9 ~ 14Vdc.
- Continuous maximum output:
 - 10W×2ch @VDDP=12.0V, RL=8Ω, THD+N=10%.
 - 20W×1ch @VDDP=12.0V, RL=4Ω, THD+N=10%.
- Media: USB Memory Stick & micro-SD Card.
- File Format: WAV, APE, FLAC & MP3. FAT16 & FAT32.
- Signal-to-Noise Ratio: 95dB.
- THD+N: 0.02 % @VDDP=12.0V, RL=8Ω, Po=1.0W
- Channel Crosstalk: -70dB.
- Over-current & Thermal Protection Function.
- Class AB Headphone Amplifier.
- Headphone Output: 50mWx2 on 32Ω @12V.
- Efficiency: 88 % @VDDP=12.0V, RL=8Ω, Po=10W.
- IR Remote Control.
- Size: 97 x 44mm (L x W).

Mechanical Dimension:

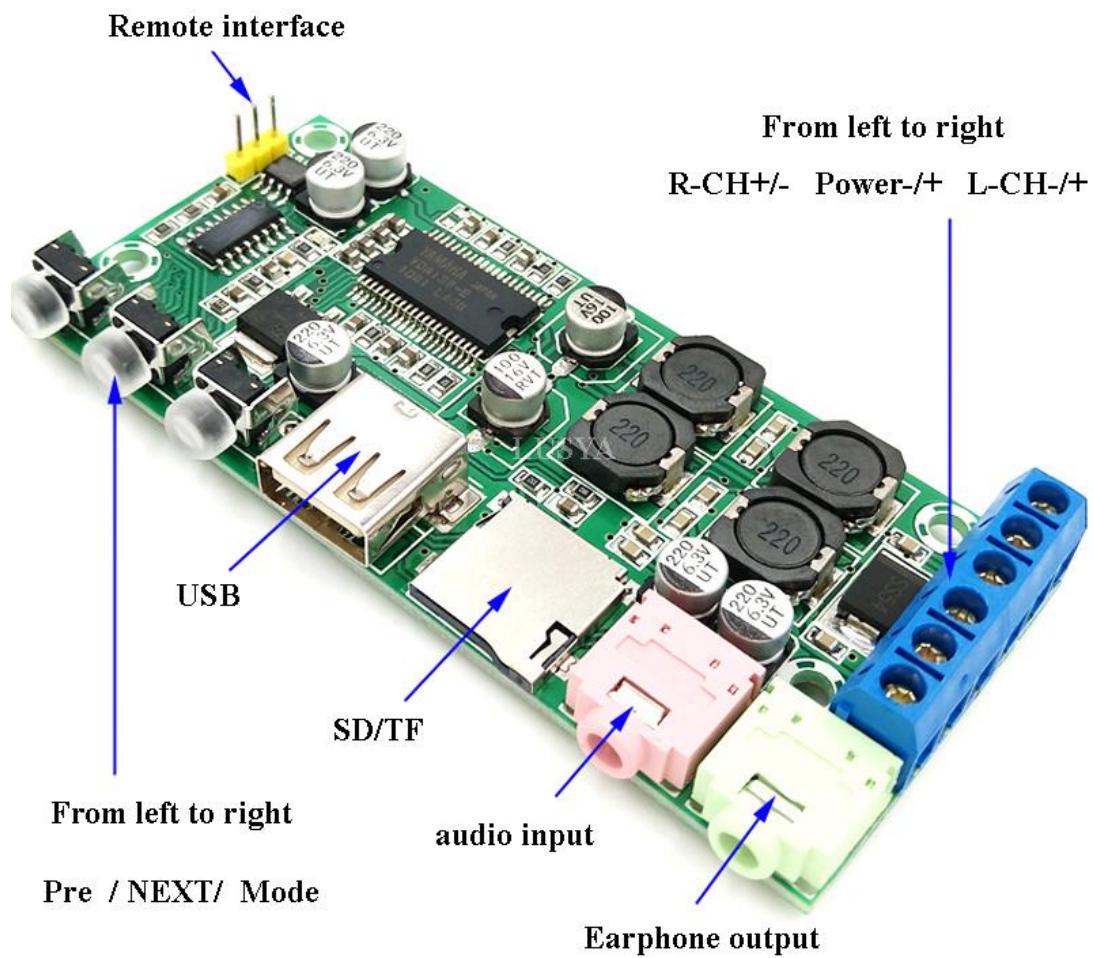
Unit: mm



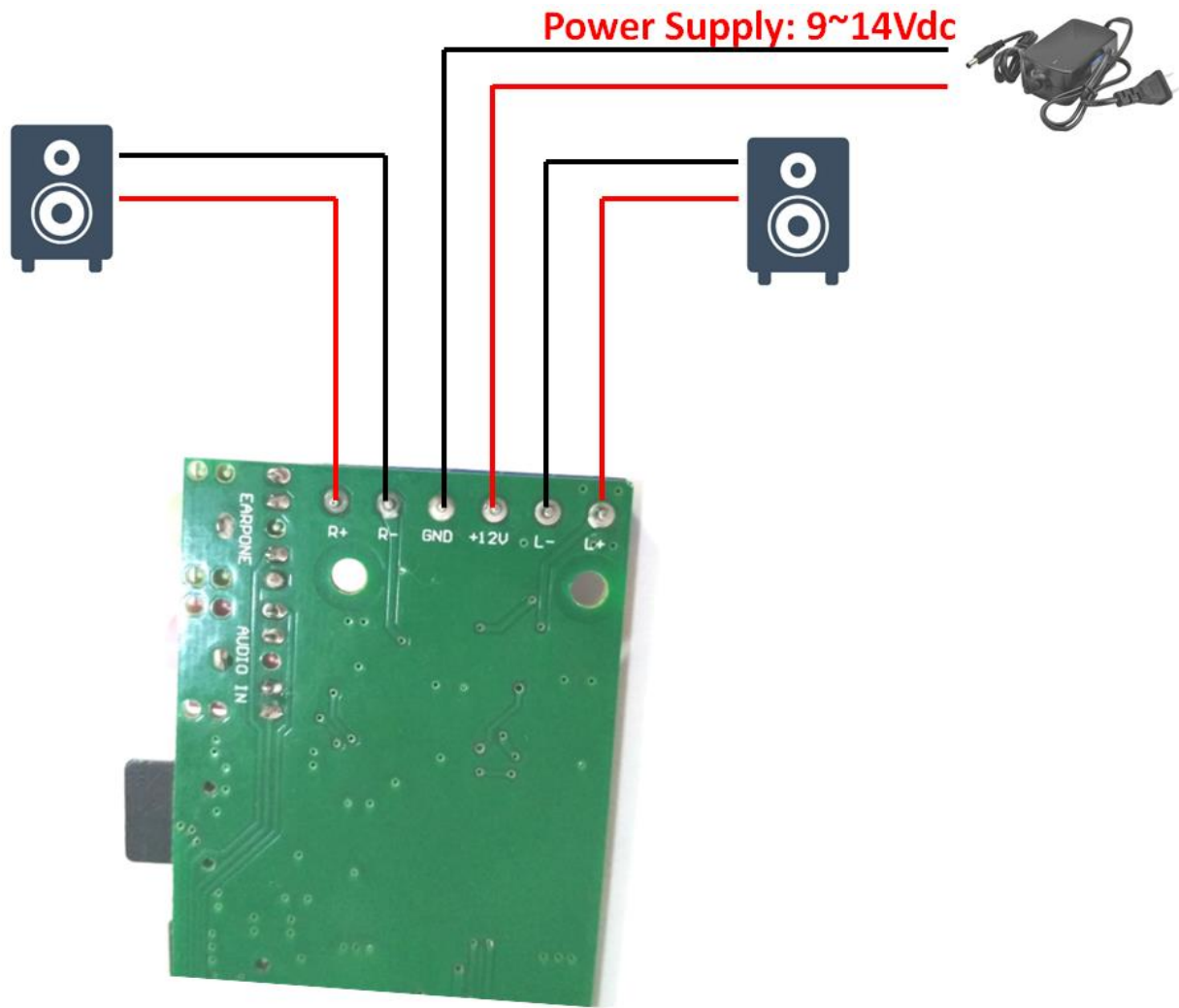
Remote Control Unit:



Functional Diagram:



Connection Diagram:



Web Resource:

- [TDA7498 2X100W Class-D Audio Amplifier](#)
- [GPD2856C-MP3 Player Board](#)
- [Class-D Audio Amplifier Basic](#)



Handsontec.com

We have the parts for your ideas

HandsOn Technology provides a multimedia and interactive platform for everyone interested in electronics. From beginner to diehard, from student to lecturer. Information, education, inspiration and entertainment. Analog and digital, practical and theoretical; software and hardware.



open source
hardware

HandsOn Technology support Open Source Hardware (OSHW) Development Platform.

Learn : Design : Share

handsontec.com



The Face behind our product quality...

In a world of constant change and continuous technological development, a new or replacement product is never far away – and they all need to be tested.

Many vendors simply import and sell without checks and this cannot be the ultimate interests of anyone, particularly the customer. Every part sell on Handsotec is fully tested. So when buying from Handsotec products range, you can be confident you're getting outstanding quality and value.

We keep adding the new parts so that you can get rolling on your next project.



www.handsontec.com

[Breakout Boards & Modules](#)



[Connectors](#)



www.handsontec.com

[Electro-Mechanical Parts](#)



www.handsontec.com

[Engineering Material](#)



www.handsontec.com

[Mechanical Hardware](#)



[Electronics Components](#)

P



www.handsontec.com

[Power Supply](#)



[Arduino Board & Shield](#)

[Tools & Accessory](#)



www.handsontec.com

[Tools & Accessory](#)