



Data Specs

## Right Angle Bracket for JGB37 Gear Motor

Durable with thickness of 3mm alloy steel material frame. Fit for JGB37 series DC Gear Motor. Light weight suitable for easy robotics car motor installation.



**SKU: [FAM1077](#)**

### **Description:**

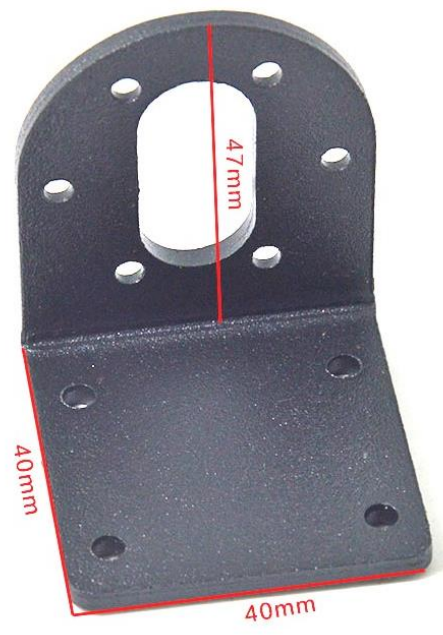
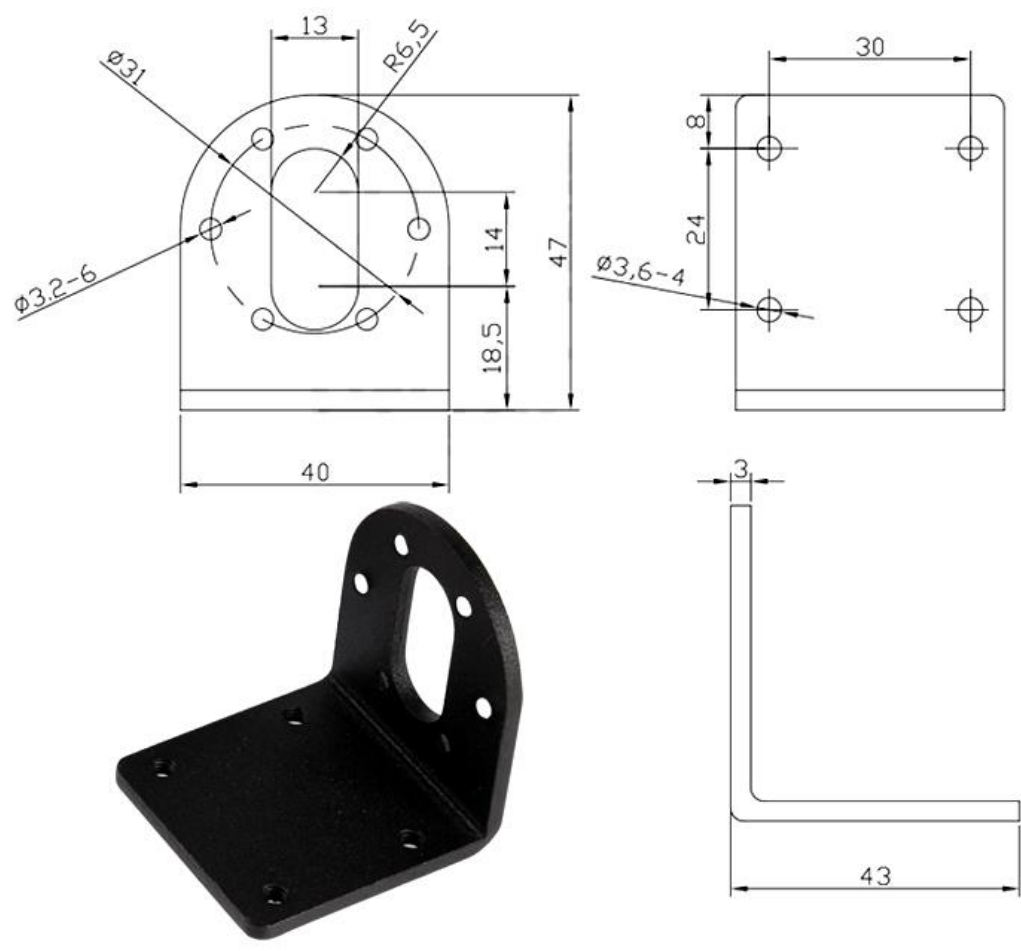
- Material: Alloy Steel.
- Size: 40 x 40 x 47mm (L\*W\*H).
- Thickness: 3mm.
- Color: Black.
- Motor Mounting Hole: M3 (Counter Sunk).
- Chassis Tighten Slot: M4 with thread.

### **Package Include:**

- 1x Right Angle Bracket.
- 6x M3x8 screw.
- 4x M3x10 Philips Head Screw.
- 4x M3 Nuts.

# Mechanical Dimension:

Unit: mm



**Application Example:**





# **Handsontec.com**

**We have the parts for your ideas**

---

HandsOn Technology provides a multimedia and interactive platform for everyone interested in electronics. From beginner to diehard, from student to lecturer. Information, education, inspiration and entertainment. Analog and digital, practical and theoretical; software and hardware.

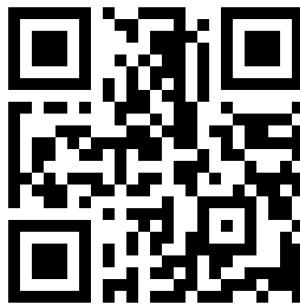


open source  
hardware

HandsOn Technology support Open Source Hardware (OSHW) Development Platform.

*Learn : Design : Share*

*handsontec.com*



**The Face behind our product quality...**

**In a world of constant change and continuous technological development, a new or replacement product is never far away – and they all need to be tested.**

**Many vendors simply import and sell without checks and this cannot be the ultimate interests of anyone, particularly the customer. Every part sell on Handsotec is fully tested. So when buying from Handsotec products range, you can be confident you're getting outstanding quality and value.**

**We keep adding the new parts so that you can get rolling on your next project.**



[www.handsontec.com](http://www.handsontec.com)

[Breakout Boards & Modules](#)



[Connectors](#)



[www.handsontec.com](http://www.handsontec.com)

[Electro-Mechanical Parts](#)



[www.handsontec.com](http://www.handsontec.com)

[Engineering Material](#)



[www.handsontec.com](http://www.handsontec.com)

[Mechanical Hardware](#)



[Electronics Components](#)

P



[www.handsontec.com](http://www.handsontec.com)

[Power Supply](#)



[Arduino Board & Shield](#)

[Tools & Accessory](#)



[www.handsontec.com](http://www.handsontec.com)

[Tools & Accessory](#)