



Data Specs

3590 Multi Turns Wirewound Precision Potentiometer

3590 series wirewound precision potentiometers with bushing mount, fully sealed body, plastic or metal shaft and bushings (please refer to datasheet for details) and PCB pins.



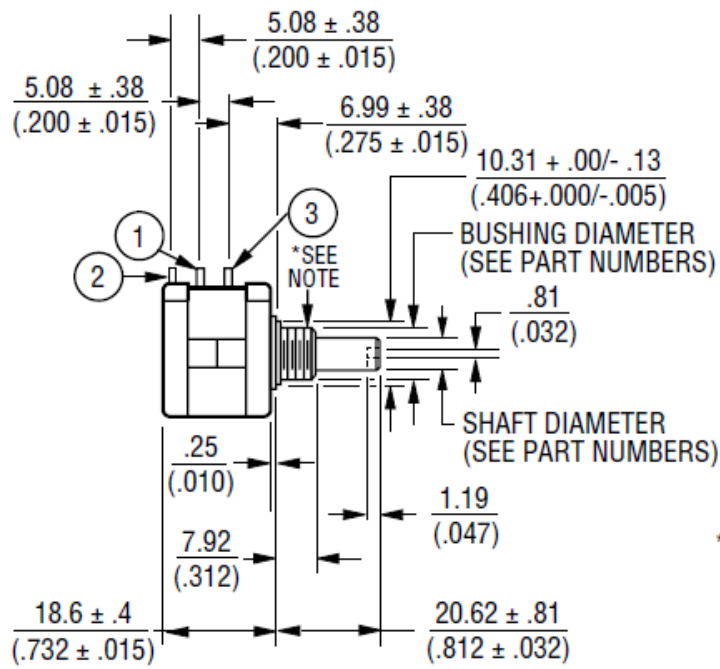
SKU: RES1500

Brief Data:

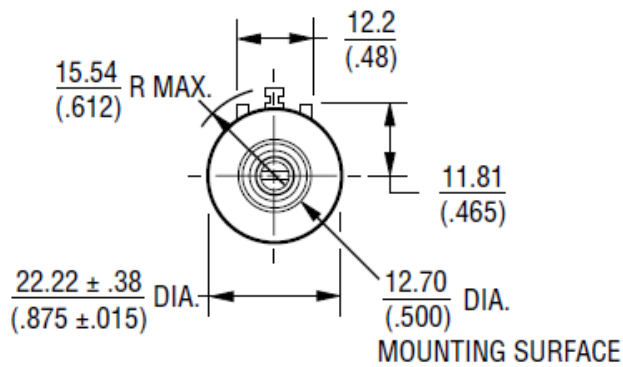
- Series: 3590.
- Brand: Bourns.
- Maximum Resistance: 5k Ω .
- Number of Gangs: 1.
- Number of Turns: 10.
- Power Rating: 2W.
- Electrical Taper: Linear.
- Element Material: Wirewound.
- Mounting Type: Panel Mount.
- Termination Style: Solder Lug.
- Shaft Length: 20.6mm.
- Shaft Diameter: $\text{\O}6.35\text{mm}$.
- Tolerance: $\pm 5\%$.
- Actuator Type: Slotted Shaft.

Mechanical Dimension:

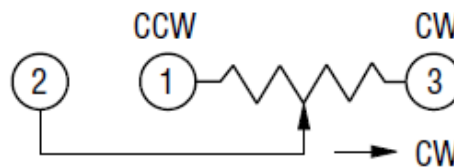
Unit: mm



*BUSHING THREAD SPECIFICATIONS:
-1, -2, -3, -4 3/8-32 UNF
-5, -6, -7, -8 M9 x 0.75-7H

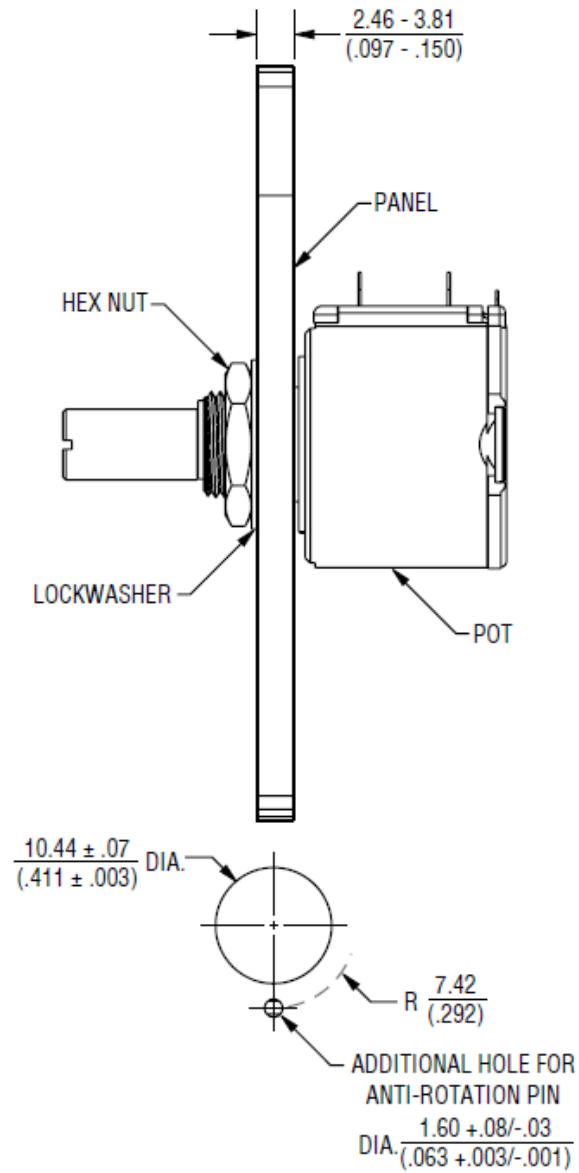


Schematic



Panel Thickness Dimensions

(For Bushing Mount Only)





Handsontec.com

We have the parts for your ideas

HandsOn Technology provides a multimedia and interactive platform for everyone interested in electronics. From beginner to diehard, from student to lecturer. Information, education, inspiration and entertainment. Analog and digital, practical and theoretical; software and hardware.



open source
hardware

HandsOn Technology support Open Source Hardware (OSHW) Development Platform.

Learn : Design : Share

handsontec.com



The Face behind our product quality...

In a world of constant change and continuous technological development, a new or replacement product is never far away – and they all need to be tested.

Many vendors simply import and sell without checks and this cannot be the ultimate interests of anyone, particularly the customer. Every part sell on Handsotec is fully tested. So when buying from Handsotec products range, you can be confident you're getting outstanding quality and value.

We keep adding the new parts so that you can get rolling on your next project.



www.handsontec.com

[Breakout Boards & Modules](#)



[Connectors](#)



www.handsontec.com

[Electro-Mechanical Parts](#)



www.handsontec.com

[Engineering Material](#)



www.handsontec.com

[Mechanical Hardware](#)



[Electronics Components](#)

P



www.handsontec.com

[Power Supply](#)



[Arduino Board & Shield](#)

Tools & Accessory



www.handsontec.com

[Tools & Accessory](#)